



High Density Card Edge

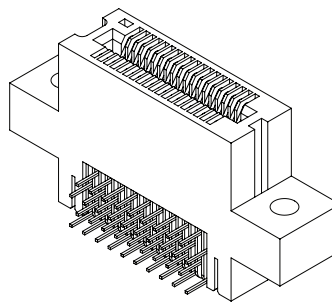
SULLINS

1.00 mm [.039"] Contact Centers, 21.84 mm [.860"] Insulator Height, Right Angle

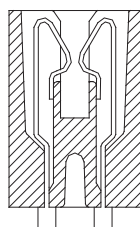
High Density Card Edge

SPECIFICATIONS

- Accommodates 1.57 mm ± 0.20 mm [.062" ± .008"] PC board
- PA9T or PPS insulator
- Molded-in key available
- High reliability/high cycle hairpin bellow contacts
- 1 Amp current rating per contact for contacts fully energized
- 150 grams normal force minimum
- UL Flammability Rating: 94V-0

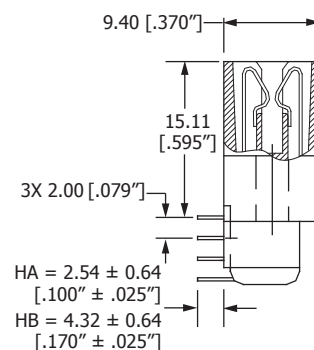


READOUT

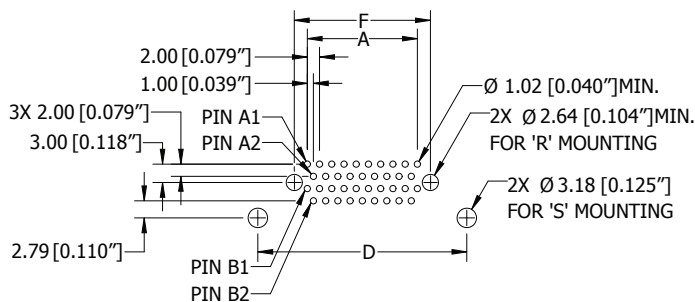


DUAL (D)

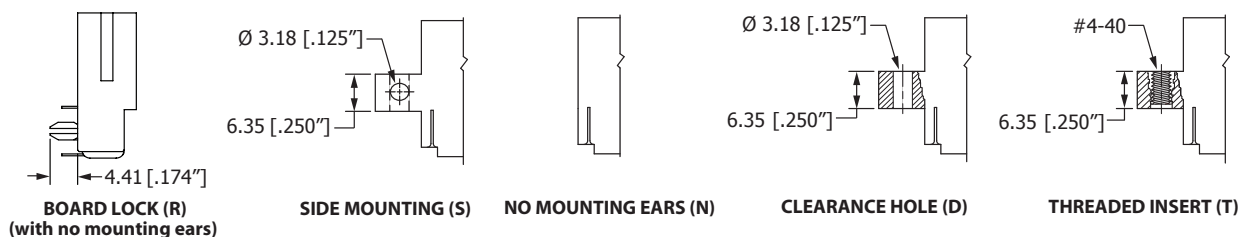
TERMINATION TYPE



PCB LAYOUT



MOUNTING STYLE



1.00 mm [.039"] Contact Centers, 21.84 mm [.860"] Insulator Height, Right Angle



PART NUMBER OPTIONS

MATERIALS (INSULATOR/CONTACT)

- G = PA9T/Phosphor Bronze
 - R = PPS/Phosphor Bronze
 - J = PA9T/Beryllium Copper
 - A = PPS/Beryllium Copper
- Refer to Page 7 for Operating/Processing Temperatures

CONTACT FINISH - RoHS Compliant

All platings are Lead Free and have .000050" Nickel underplate

Contact Surface	Termination
B = .00010" Gold	.000100" Pure Tin, Matte
C = .00030" Gold	.000100" Pure Tin, Matte

CONTACT CENTERS

E = 1 mm [.039"]

NUMBER OF CONTACT POSITIONS

See Chart Below

G B E 50 D HA D -Sxxx

MODIFICATION CODE (Consult Factory)
OMIT FOR STANDARD

MOUNTING STYLE (Opposite Page)

- D = Flush Mounting
- N = No Mounting
- R = Metal Board Lock
- S = Side Mounting
- T = Flush Mounting -Threaded Insert

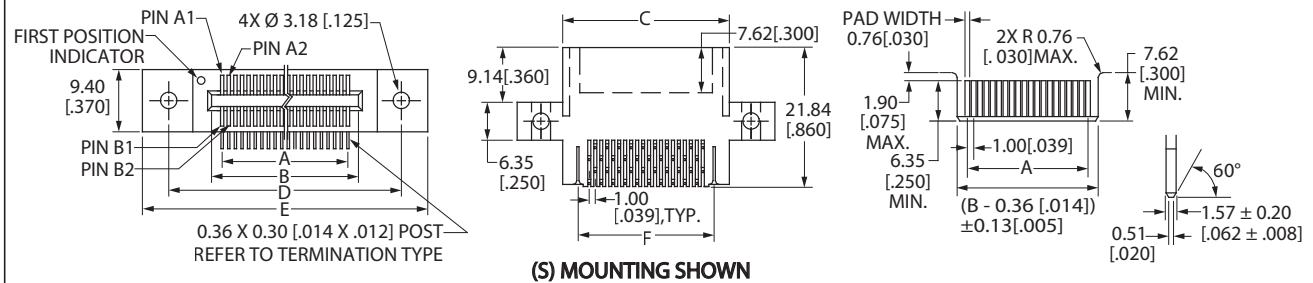
TERMINATION TYPE (Opposite Page)

- HA = 2.54 mm [.100"] Tail Length
- HB = 4.32 mm [.170"] Tail Length

READOUT (Opposite Page)

D = Dual

DIMENSIONS Dimensions in [] are in inches, all others are in millimeters.



POSITIONS/ CONTACTS	MILLIMETERS						INCHES					
	A±0.13	B±0.13	C±0.38	D±0.25	E±0.51	F±0.25	A±.005	B±.005	C±.015	D±.010	E±.020	F±.010
02/04*	1.00	4.32	9.89	17.15	25.13	5.25	0.039	0.170	0.389	0.675	0.989	0.207
03/06*	2.00	5.32	10.89	18.15	26.13	6.25	0.079	0.210	0.429	0.715	1.029	0.246
04/08*	3.00	6.32	11.89	19.15	27.13	7.25	0.118	0.249	0.468	0.754	1.068	0.285
05/10	4.00	7.32	12.89	20.15	28.13	8.25	0.157	0.288	0.507	0.793	1.107	0.325
06/12*	5.00	8.32	13.89	21.15	29.13	9.25	0.197	0.328	0.547	0.833	1.147	0.364
07/14*	6.00	9.32	14.89	22.15	30.13	10.25	0.236	0.367	0.586	0.872	1.186	0.404
08/16*	7.00	10.32	15.89	23.15	31.13	11.25	0.276	0.407	0.626	0.912	1.226	0.443
09/18*	8.00	11.32	16.89	24.15	32.13	12.25	0.315	0.446	0.665	0.951	1.265	0.482
10/20	9.00	12.32	17.89	25.15	33.13	13.25	0.354	0.485	0.704	0.990	1.304	0.522
11/22*	10.00	13.32	18.89	26.15	34.13	14.25	0.394	0.525	0.744	1.030	1.344	0.561
12/24	11.00	14.32	19.89	27.15	35.13	15.25	0.433	0.564	0.783	1.069	1.383	0.600
13/26*	12.00	15.32	20.89	28.15	36.13	16.25	0.472	0.603	0.822	1.108	1.422	0.640
14/28*	13.00	16.32	21.89	29.15	37.13	17.25	0.512	0.643	0.862	1.148	1.462	0.679
15/30	14.00	17.32	22.89	30.15	38.13	18.25	0.551	0.682	0.901	1.187	1.501	0.719
16/32	15.00	18.32	23.89	31.15	39.13	19.25	0.591	0.722	0.941	1.227	1.541	0.758
17/34*	16.00	19.32	24.89	32.15	40.13	20.25	0.630	0.761	0.980	1.266	1.580	0.797
18/36*	17.00	20.32	25.89	33.15	41.13	21.25	0.669	0.800	1.019	1.305	1.619	0.837
19/38*	18.00	21.32	26.89	34.15	42.13	22.25	0.709	0.840	1.059	1.345	1.659	0.876
20/40	19.00	22.32	27.89	35.15	43.13	23.25	0.748	0.879	1.098	1.384	1.698	0.915
21/42*	20.00	23.32	28.89	36.15	44.13	24.25	0.787	0.918	1.137	1.423	1.737	0.955
22/44*	21.00	24.32	29.89	37.15	45.13	25.25	0.827	0.958	1.177	1.463	1.777	0.994
23/46*	22.00	25.32	30.89	38.15	46.13	26.25	0.866	0.997	1.216	1.502	1.816	1.033
24/48*	23.00	26.32	31.89	39.15	47.13	27.25	0.906	1.037	1.256	1.542	1.856	1.073
25/50	24.00	27.32	32.89	40.15	48.13	28.25	0.945	1.076	1.295	1.581	1.895	1.112
26/52*	25.00	28.32	33.89	41.15	49.13	29.25	0.984	1.115	1.334	1.620	1.934	1.152
27/54*	26.00	29.32	34.89	42.15	50.13	30.25	1.024	1.155	1.374	1.660	1.974	1.191
28/56*	27.00	30.32	35.89	43.15	51.13	31.25	1.063	1.194	1.413	1.699	2.013	1.230
29/58*	28.00	31.32	36.89	44.15	52.13	32.25	1.102	1.233	1.452	1.738	2.052	1.270
30/60	29.00	32.32	37.89	45.15	53.13	33.25	1.142	1.273	1.492	1.778	2.092	1.309
31/62*	30.00	33.32	38.89	46.15	54.13	34.25	1.181	1.312	1.531	1.817	2.131	1.348
32/64*	31.00	34.32	39.89	47.15	55.13	35.25	1.220	1.351	1.570	1.856	2.170	1.388
33/66*	32.00	35.32	40.89	48.15	56.13	36.25	1.260	1.391	1.610	1.896	2.210	1.427
34/68*	33.00	36.32	41.89	49.15	57.13	37.25	1.299	1.430	1.649	1.935	2.249	1.467
35/70	34.00	37.32	42.89	50.15	58.13	38.25	1.339	1.470	1.689	1.975	2.289	1.506
36/72*	35.00	38.32	43.89	51.15	59.13	39.25	1.378	1.509	1.728	2.014	2.328	1.545
37/74*	36.00	39.32	44.89	52.15	60.13	40.25	1.417	1.548	1.767	2.053	2.367	1.585
38/76*	37.00	40.32	45.89	53.15	61.13	41.25	1.457	1.588	1.807	2.093	2.407	1.624
39/78*	38.00	41.32	46.89	54.15	62.13	42.25	1.496	1.627	1.846	2.132	2.446	1.663
40/80	39.00	42.32	47.89	55.15	63.13	43.25	1.535	1.666	1.885	2.171	2.485	1.703
41/82*	40.00	43.32	48.89	56.15	64.13	44.25	1.575	1.706	1.925	2.211	2.525	1.742
42/84*	41.00	44.32	49.89	57.15	65.13	45.25	1.614	1.745	1.964	2.250	2.564	1.781
43/86*	42.00	45.32	50.89	58.15	66.13	46.25	1.654	1.785	2.004	2.290	2.604	1.821
44/88*	43.00	46.32	51.89	59.15	67.13	47.25	1.693	1.824	2.043	2.329	2.643	1.860
45/90	44.00	47.32	52.89	60.15	68.13	48.25	1.732	1.863	2.082	2.368	2.682	1.900
46/92*	45.00	48.32	53.89	61.15	69.13	49.25	1.772	1.903	2.122	2.408	2.722	1.939
47/94*	46.00	49.32	54.89	62.15	70.13	50.25	1.811	1.942	2.161	2.447	2.761	1.978
48/96*	47.00	50.32	55.89	63.15	71.13	51.25	1.850	1.981	2.200	2.486	2.800	2.018
49/98*	48.00	51.32	56.89	64.15	72.13	52.25	1.890	2.021	2.240	2.526	2.840	2.057
50/100	49.00	52.32	57.89	65.15	73.13	53.25	1.929	2.060	2.279	2.565	2.879	2.096

* Consult factory for availability.