

NOTES:

1. MATERIALS AND FINISHES:
 - HEX NUT - BRASS, NICKEL PLATING
 - LOCK WASHER - BRASS, NICKEL PLATING
 - FERRULE - COPPER, NICKEL PLATING
 - BODY - BRASS, NICKEL PLATING
 - CONTACT - BeCu, GOLD PLATING
 - INSULATOR - PTFE, NATURAL
 - INSULATOR DISC - ULTEM 1000, NATURAL
2. ELECTRICAL:
 - A. IMPEDANCE: 50 OHMS
 - B. FREQUENCY RANGE: DC - 12.4 GHz
 - C. VSWR (RETURN LOSS): 1.10 (-26dB) MAX. DC - 6 GHz
1.20 (-20dB) MAX. 6 - 12 GHz
 - D. DIELECTRIC WITHSTANDING VOLTAGE: 500 VRMS, MIN.
3. MECHANICAL:
 - A. DURABILITY: 500 CYCLES MIN.
 - B. TEMPERATURE RANGE: -65°C TO +165°C

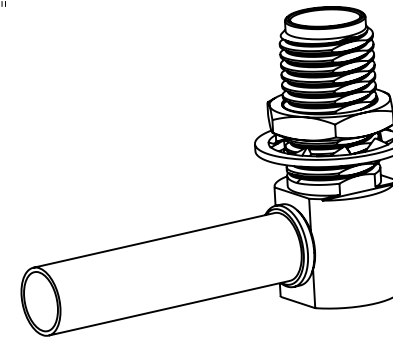
4. INSTRUCTIONS
 - A. CONTACT PIN TO SOLDER
 - B. HAND TIGHTEN CAP AFTER SOLDERING
 - C. CRIMPED FERRULE HEX CRIMP SIZE .128"
5. MAX. PANEL THICKNESS = 3.2 MM
6. PACKAGING:
 - A. QUANTITY: SINGLE PACK
 - B. MARKING: BAG TO BE MARKED "AMPHENOL RF, 901-10608 & DATE CODE"

7 CABLE ENTRY DIMENSIONS

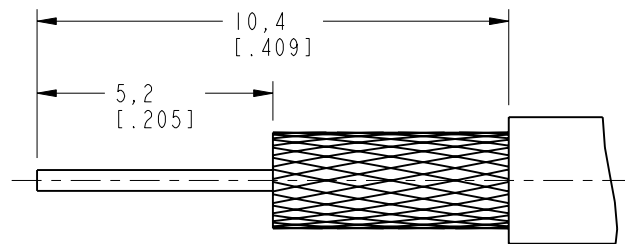
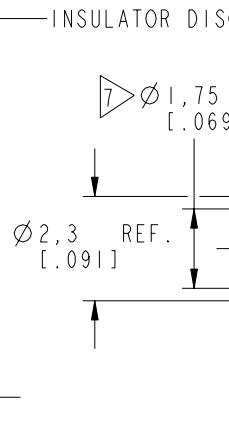
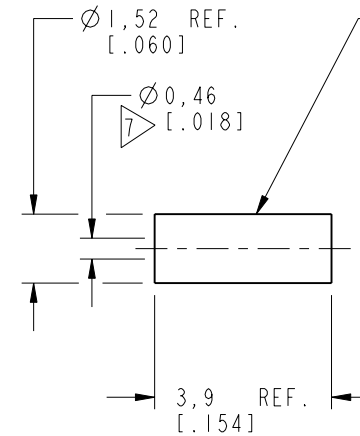
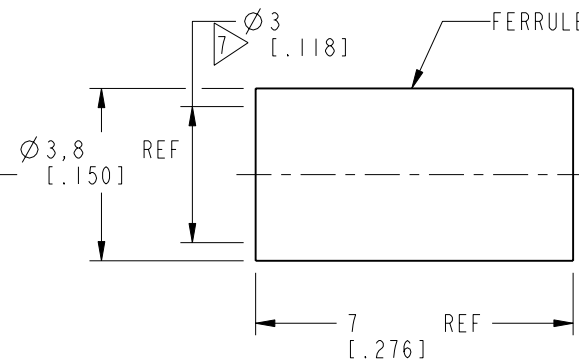
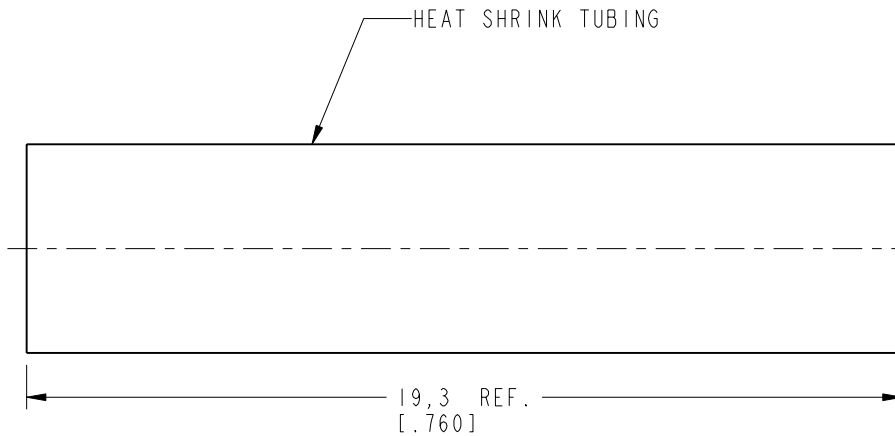
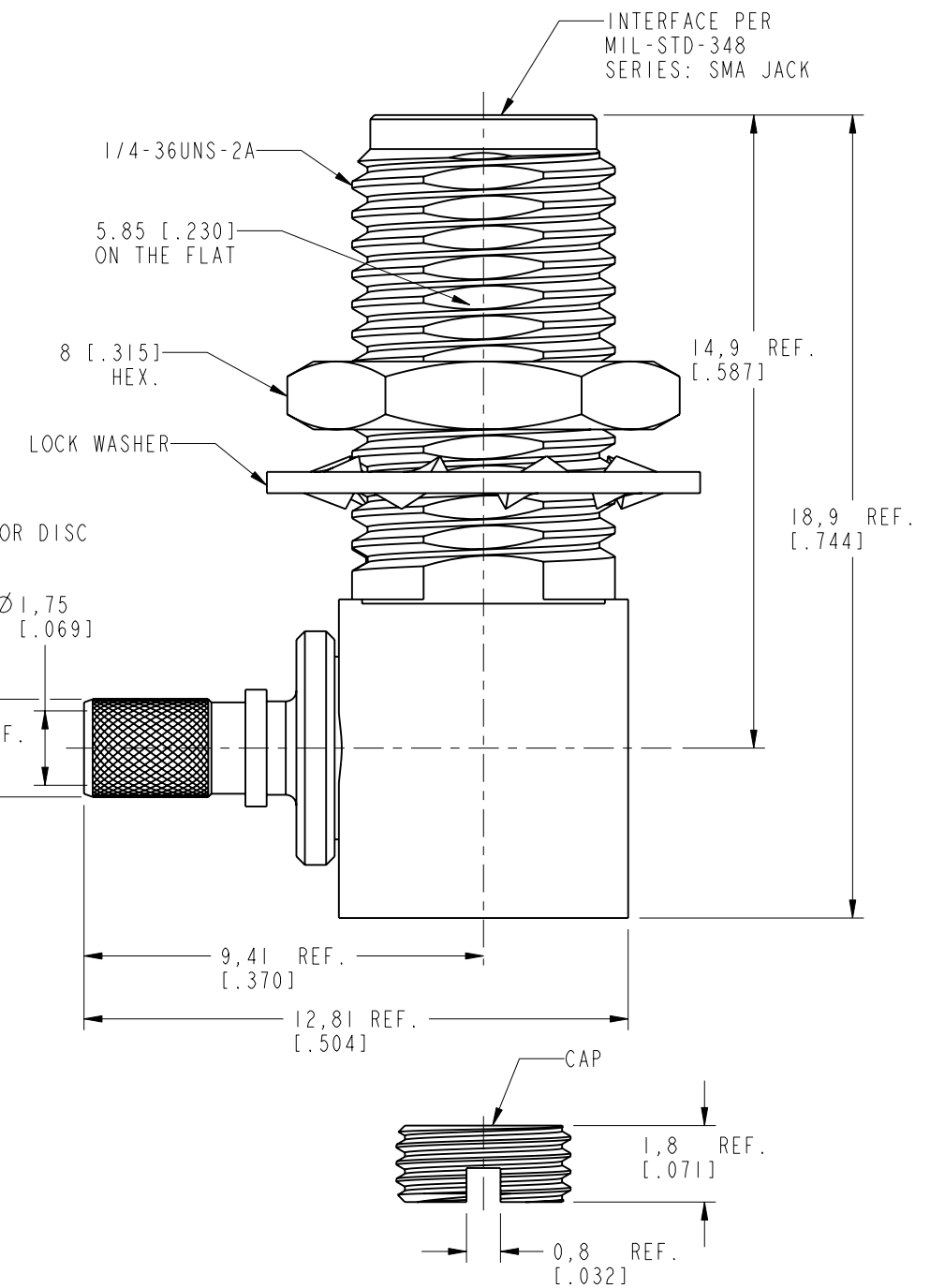
THIRD ANGLE PROJ.

REVISIONS

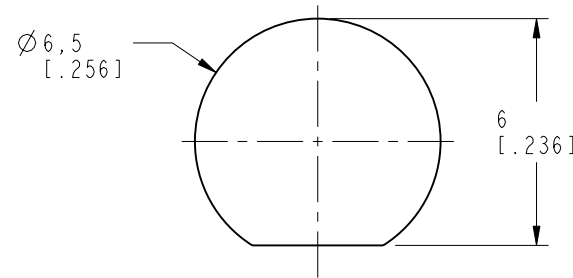
REV	DESCRIPTION	DATE	ECN	APPR
A	RELEASE TO MFG.	21-Feb-19	10584	CJV



SCALE 2.000



RECOMMENDED CABLE STRIPPING DIM'S



RECOMMENDED MOUNTING HOLE

CUSTOMER OUTLINE DRAWING

ALL OTHER SHEETS ARE FOR INTERNAL USE ONLY

UNLESS OTHERWISE SPECIFIED, DIMENSIONS ARE IN METRIC AND TOLERANCES ARE: <0.5mm ±0.05mm 0.5 - 6mm ±0.1mm 6 - 30mm ±0.2mm 30 - 120mm ±0.3mm ANGLES ±1°	MATERIAL	DRAWN	DATE	TITLE SMA R/A BULKHEAD JACK (FOR LMR-100 CABLE)		Amphenol RF www.amphenolrf.com	
	SEE NOTES	M. ZHANG	21-Feb-19				
NOTICE - These drawings, specifications, or other data (1) are, and remain the property of Amphenol corp. (2) must be returned upon request; and (3) are confidential and not to be disclosed to any person other than those to whom they are given by Amphenol Corp. the furnishing of these drawings, specifications, or other data by Amphenol Corp., or to any other person to anyone for any purpose is not to be regarded by implication or otherwise in any manner licensing, granting rights to permitting such holder or any other person to manufacture, use or sell any product, process or design, patented or otherwise, that may in any way be related to or disclosed by said drawings, specifications, or other data.	REFERENCE	ENGINEER	DATE	SCALE: 6.0:1.0 SHEET 2 OF 2		DRAWING NO. 901-10608 ITEM NO. 901-10608 PART NO. 901-10608	
	EAR# 7994	S. DUAN	09-Dec-17				
	REF:	APPROVED	S. HSIEH	DATE	DWG SIZE	REV	
CONFIGURATION LEVEL: In Work	FINISH		25-Feb-19	B	A		