

LAYOUT SHOWN AS EXAMPLE

Keying Shown as example

CHARACTERISTICS

- Standard : Based on MIL-DTL-38999 Series III
- Shell Material : Aluminium
- Shell Plating : Black Zinc Nickel
- Insulator : Thermoplastic
- Contacts : Copper Alloy
- Seals & Grommet : Silicon Elastomer
- Contact Plating : Gold over copper Alloy 0.8µm minimum
- Durability : 500 Mating cycles
- Delivered without Souriau contacts
- Temperature Range : -65°C to +175°C
- Salt Spray : 500 hours

Connector dimension	
Dim	Nominal
A	44.5±0.3
B	30.15+0.1/-0.15
R	32.5Max
S	41.3±0.4
W	2.2+0.9/-0.1
VV THREAD	M25x1-6g

SOURIAU shall not be liable for any non-conformity or damage due to a use of the Products which does not comply with the Specifications issued by either of the Parties or by a third party (professional recommendation, technical notice.)

Country	Jurisdiction & Control List
FR	Not Listed

PN: 8D717Z20PNL

A	01-10-2016	First Release	
ISS	DATE	Latest modification - by	MOD N°
Designed By:		Date:	CUSTOMER DRAWING

TITLE	Aluminium Receptacle 8D series		
SCALE	General linear Tolerances: ±--	NPRDS / PROJECT	
NA		859	

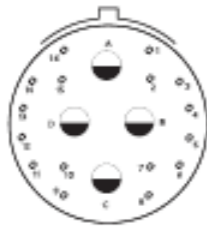
SOURIAU	WWW.SOURIAU.COM	This document is the property of SOURIAU it must not be reproduced or communicated without permission	
----------------	------------------------	---	--

FORMAT	SOURIAU DRG N° 8D717Z20PNL-C		SHEET
A3			1/2

BASIC SERIES:	8D	7	-	17	Z	20	P	N	L	Delivered W/O Contacts
SHELL TYPE	: Jam nut Receptacle									ORIENTATION : N
CONTACT TYPE	: Standard Crimp Contact									CONTACT TYPE : PIN(500 Matings)
SHELL SIZE	: 17									CONTACT LAYOUT : 17-20
PLATING	: Z = Black Zinc Nickel									

Contact Layout

20*

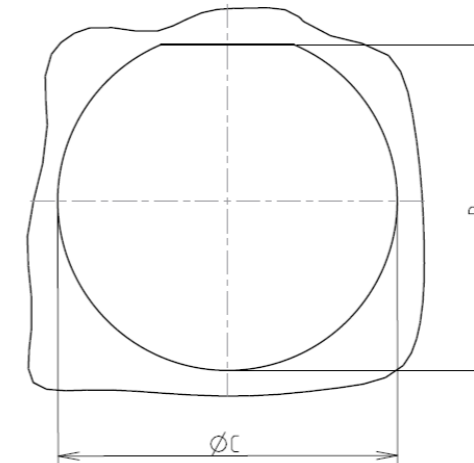


4#12
16#22D

17-20		
Ctc	X	Y
A	0	5.51
B	3.17	0
C	0	-5.51
D	-3.17	0
1	4.16	7.06
2	4.29	4.29
3	7.11	4.03
4	8.05	1.4
5	8.05	-1.4
6	7.11	-4.03
7	4.29	-4.29
8	4.16	-7.06
9	-4.16	-7.06
10	-4.29	-4.29
11	-7.11	-4.03
12	-8.05	-1.4
13	-8.05	1.4
14	-7.11	4.03
15	-4.29	4.29
16	-4.16	7.06

Panel cutout

JAM NUT RECEPTACLE (TYPE 7)



Dim	Nominal
B	30.73+0/-0.25
ØC	32.01+0.25/-0

SOURIAU shall not be liable for any non-conformity or damage due to a use of the Products which does not comply with the Specifications issued by either of the Parties or by a third party (professional recommendation, technical notice.)

Country	Jurisdiction & Control List
FR	Not Listed

PN: 8D717Z20PNL

A	01-10-2016	First Release	
ISS	DATE	Latest modification - by	MOD N°
Designed By:		Date:	CUSTOMER DRAWING
TITLE	Aluminium Receptacle 8D series		
SCALE		General linear Tolerances: ±--	NPRDS / PROJECT 859
SOURIAU	WWW.SOURIAU.COM		This document is the property of SOURIAU it must not be reproduced or communicated without permission
FORMAT A3	SOURIAU DRG N° 8D717Z20PNL-C		SHEET 2/2