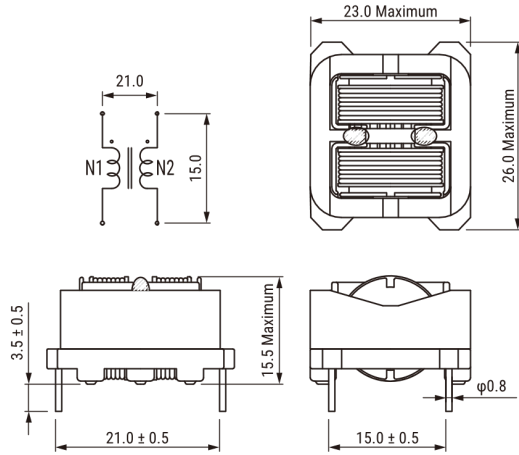


SSHB21HS-06378

Aliases (UALSB2S0637800)

KEMET, SSHB21HS, AC Line Filters, Dual Mode, 37.8 mH



Click [here](#) for the 3D model.

Dimensions

L	26mm MAX
T	23mm MAX
H	15.5mm MAX
LL	3.5mm +/-0.5mm
S	21mm +/-0.5mm
S1	15mm NOM
Wire Size	0.25mm

Packaging Specifications

Packaging	Tray
Packaging Quantity	360
Component Weight	14 g

General Information

Series	SSHB21HS
Style	Through-Hole
RoHS	Yes
Notes	Marking: 06 Lot No.
Miscellaneous	Temperature Rise Maximum: 60 K.
Core	Mn-Zn Ferrite

Specifications

Voltage AC	250 VAC, 320 VAC (IEC60664-1)
Inductance	37.8 mH (10 kHz)
Current	600 mA
Temperature Range	-40/+130°C
DC Resistance	1.48 Ohms