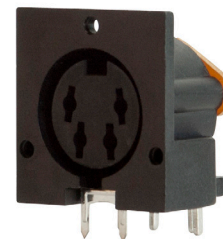
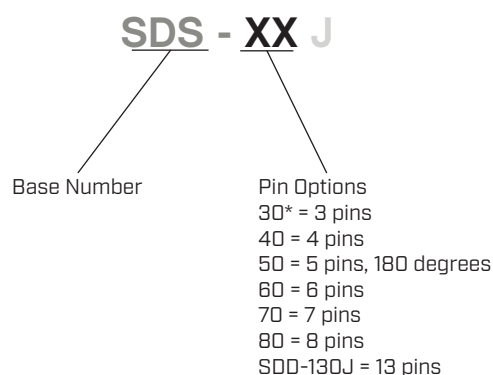


SERIES: SDS-J | **DESCRIPTION:** STANDARD DIN CONNECTOR**FEATURES**

- PCB mount
- right angle orientation
- 3-8, 13 pins

**PART NUMBER KEY**

Notes: *Discontinued model SDS-30J

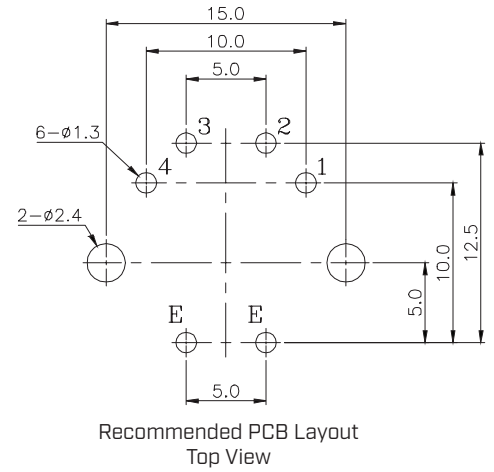
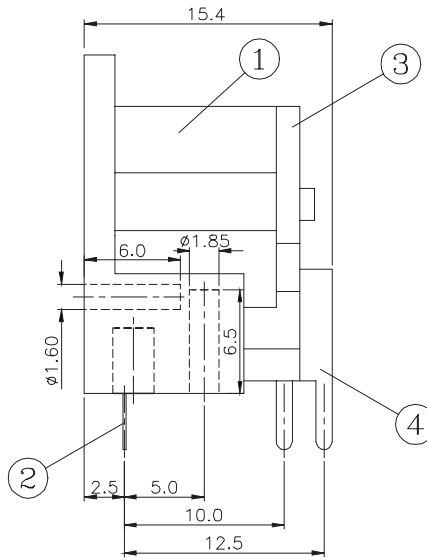
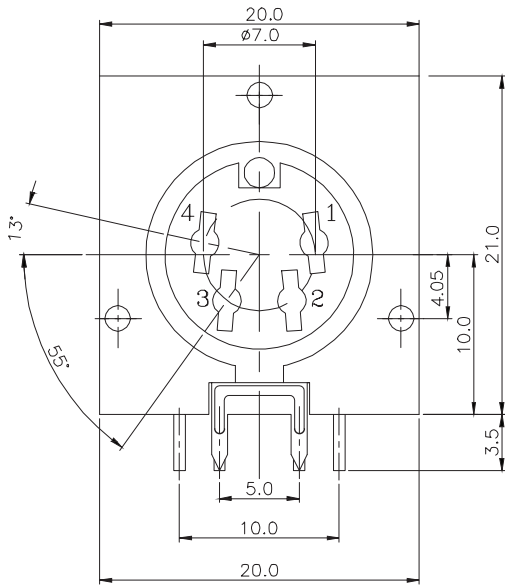
SPECIFICATIONS

parameter	conditions/description	min	typ	max	units
rated input voltage			100		Vac
			24		Vdc
rated input current	at 100 Vac		2		A
	at 24 Vdc		1		A
contact resistance				30	mΩ
insulation resistance	at 250 Vdc	50			MΩ
voltage withstand	for 1 minute			250	Vac
insertion force				6.5	kg
withdrawal force		0.5		5	kg
operating temperature		-40		85	°C
storage temperature		-40		85	°C
life			1,000		cycles
flammability rating	UL94V-0				
RoHS	yes				

MECHANICAL DRAWING (SDS-40J)

units: mm
 tolerance: ±0.3 mm
 PCB tolerance: ±0.05 mm

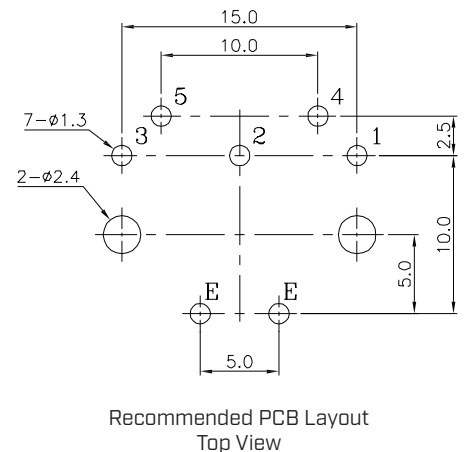
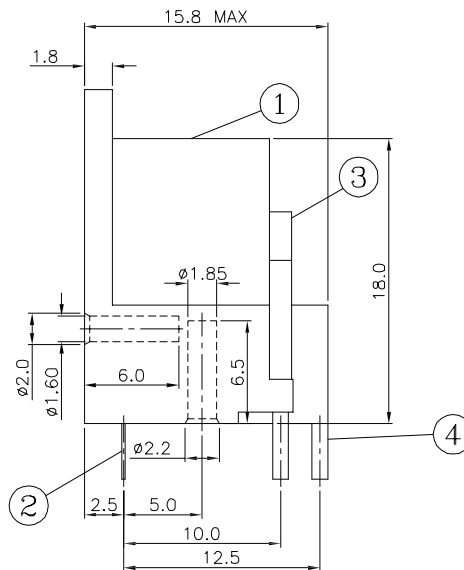
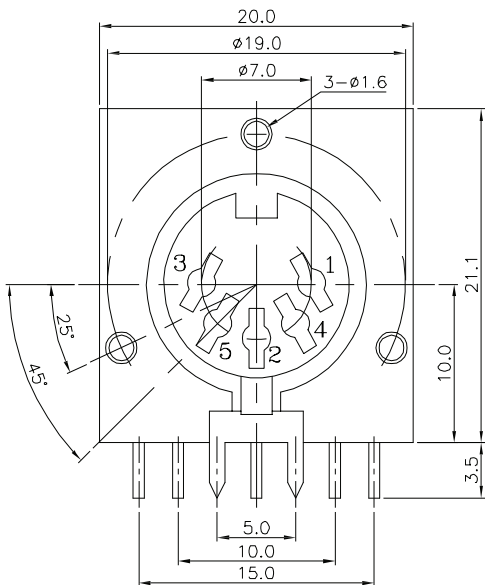
ITEM	DESCRIPTION	MATERIAL	PLATING/COLOR
1	housing	PBT (UL94V-0)	black
2	ground	phosphor bronze	silver
3	cover	PBT (UL94V-0)	black
4	terminal	phosphor bronze	silver



MECHANICAL DRAWING (SDS-50J)

units: mm
 tolerance: ±0.3 mm
 PCB tolerance: ±0.05 mm

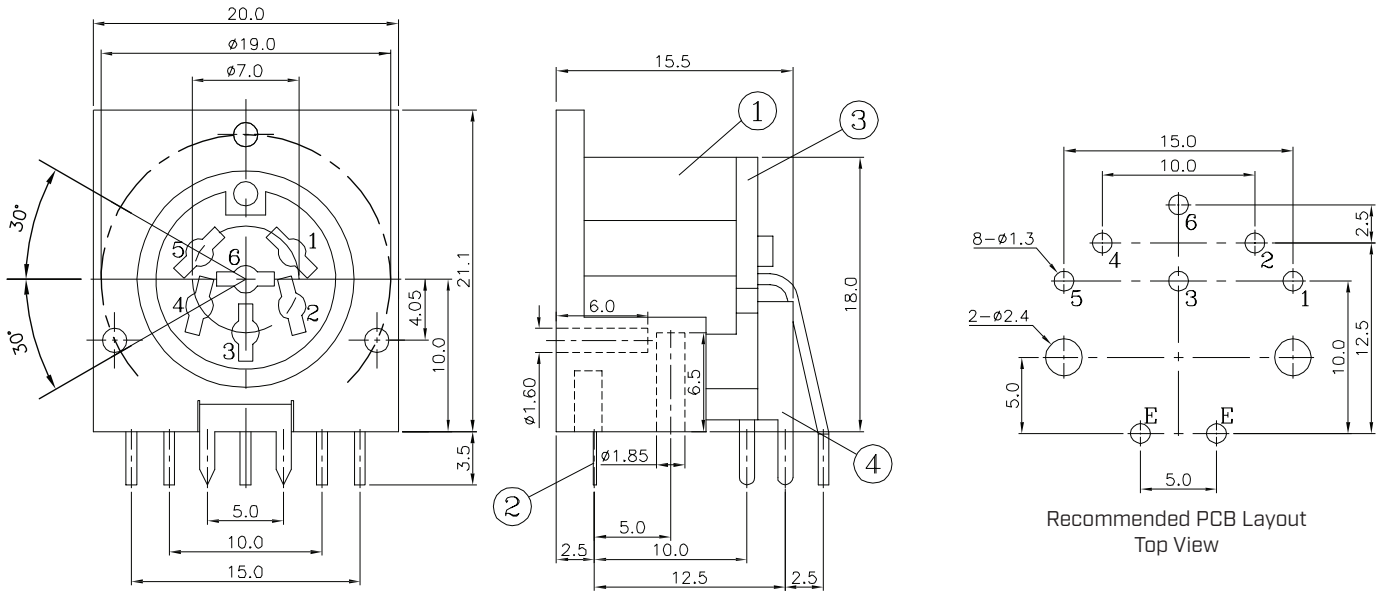
ITEM	DESCRIPTION	MATERIAL	PLATING/COLOR
1	housing	PBT (UL94V-0)	black
2	ground	phosphor bronze	copper/tin
3	cover	PE	
4	terminal	phosphor bronze	copper/tin



MECHANICAL DRAWING (SDS-60J)

units: mm
 tolerance: ±0.3 mm
 PCB tolerance: ±0.05 mm

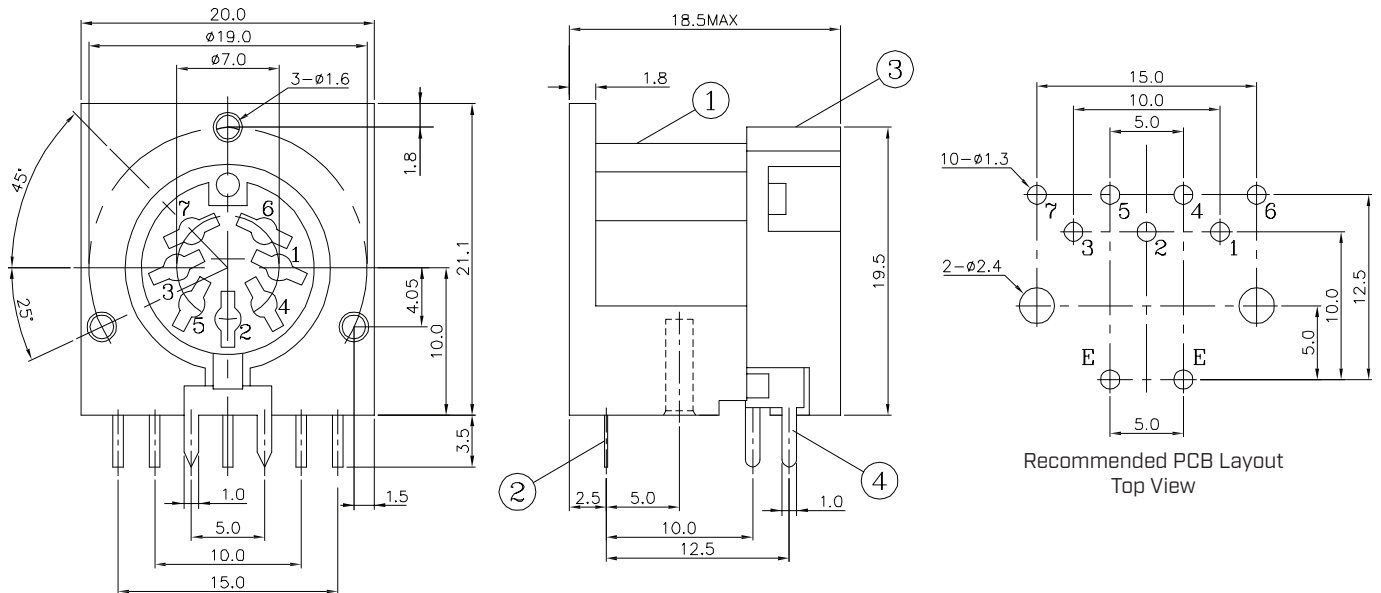
ITEM	DESCRIPTION	MATERIAL	PLATING/COLOR
1	housing	PBT (UL94V-0)	black
2	ground	phosphor bronze	copper/tin
3	cover	PF	yellow
4	terminal	phosphor bronze	copper/tin



MECHANICAL DRAWING (SDS-70J)

units: mm
 tolerance: ±0.3 mm
 PCB tolerance: ±0.05 mm

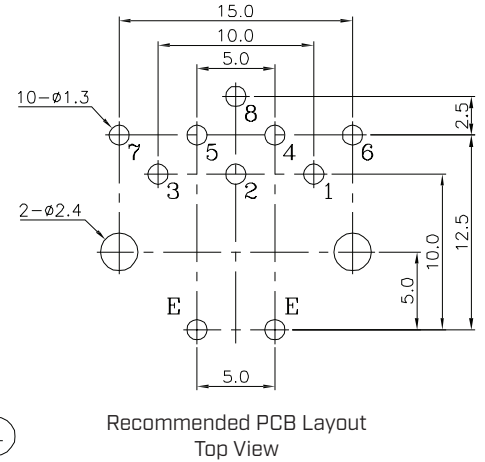
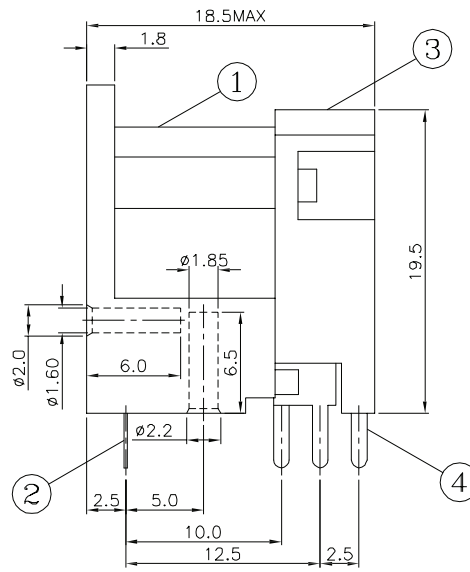
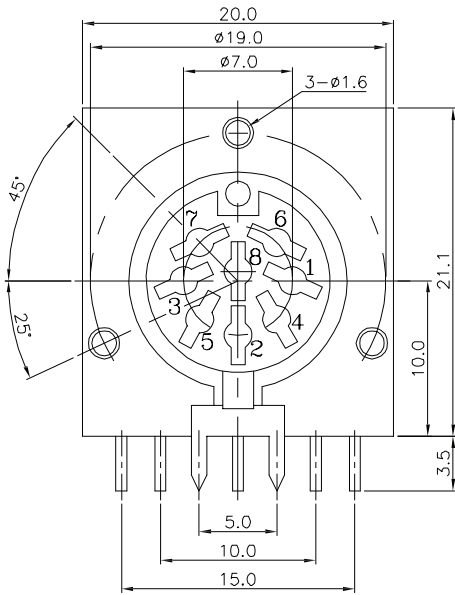
ITEM	DESCRIPTION	MATERIAL	PLATING/COLOR
1	housing	PBT (UL94V-0)	black
2	ground	phosphor bronze	silver
3	cover	PBT (UL94V-0)	black
4	terminal	phosphor bronze	silver



MECHANICAL DRAWING (SDS-80J)

units: mm
 tolerance: ±0.3 mm
 PCB tolerance: ±0.05 mm

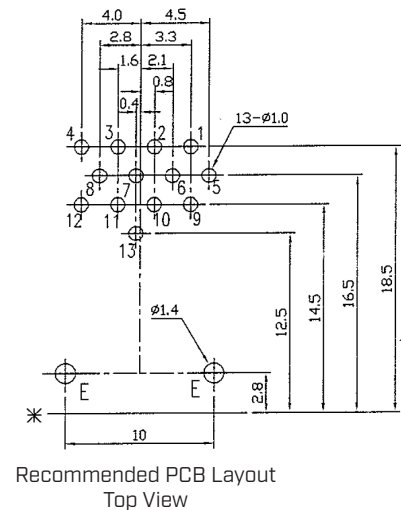
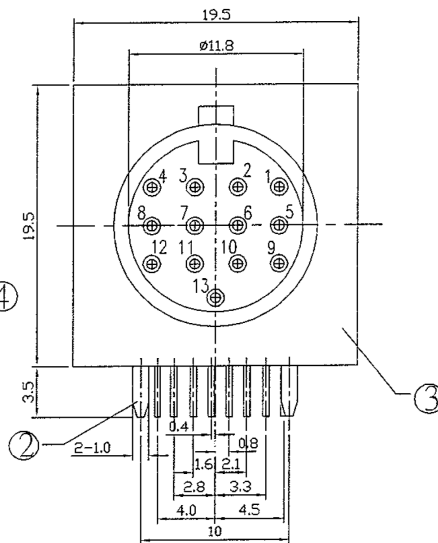
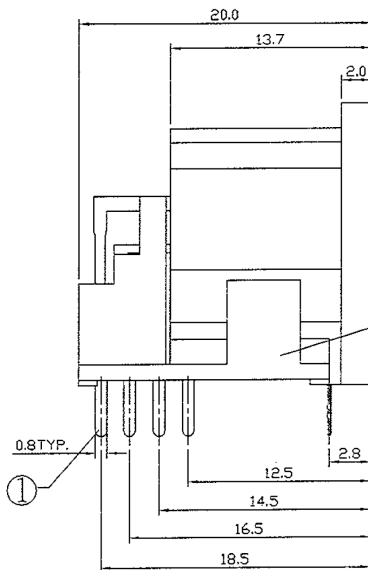
ITEM	DESCRIPTION	MATERIAL	PLATING/COLOR
1	housing	PBT (UL94V-0)	black
2	ground	phosphor bronze	copper/tin
3	cover	PBT (UL94V-0)	black
4	terminal	phosphor bronze	copper/tin



MECHANICAL DRAWING (SDD-130J)

units: mm
 tolerance: ±0.3 mm
 PCB tolerance: ±0.05 mm

ITEM	DESCRIPTION	MATERIAL	PLATING/COLOR
1	terminal	phosphor bronze	silver
2	ground	phosphor bronze	silver
3	housing	PBT (UL94V-0)	black
4	cover	PBT (UL94V-0)	black



REVISION HISTORY

rev.	description	date
1.0	initial release	02/23/2006
1.01	new template applied	04/26/2012
1.02	updated spec	01/15/2014
1.03	updated datasheet	09/08/2017
1.04	updated datasheet	07/24/2018
1.05	discontinued model SDS-30J, brand update	10/08/2019
1.06	updated housing	02/13/2020
1.07	logo, datasheet style update	08/05/2022

The revision history provided is for informational purposes only and is believed to be accurate.



CUI Devices offers a one (1) year limited warranty. Complete warranty information is listed on our website.

CUI Devices reserves the right to make changes to the product at any time without notice. Information provided by CUI Devices is believed to be accurate and reliable. However, no responsibility is assumed by CUI Devices for its use, nor for any infringements of patents or other rights of third parties which may result from its use.

CUI Devices products are not authorized or warranted for use as critical components in equipment that requires an extremely high level of reliability. A critical component is any component of a life support device or system whose failure to perform can be reasonably expected to cause the failure of the life support device or system, or to affect its safety or effectiveness.

cuidevices.com