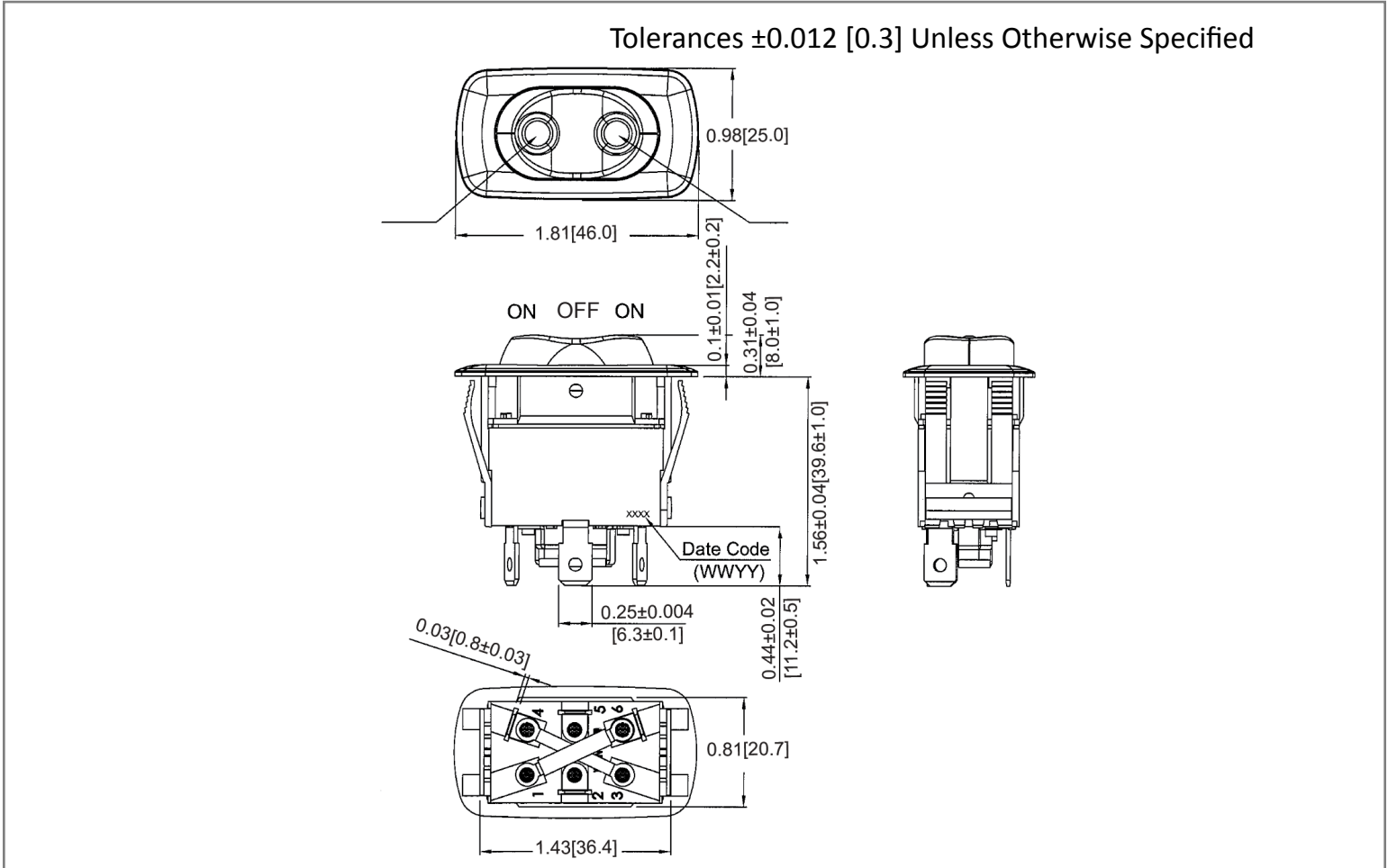
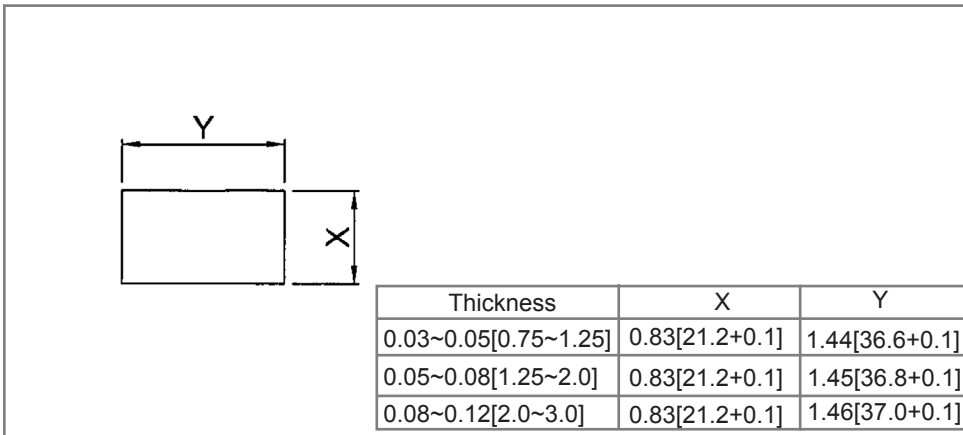


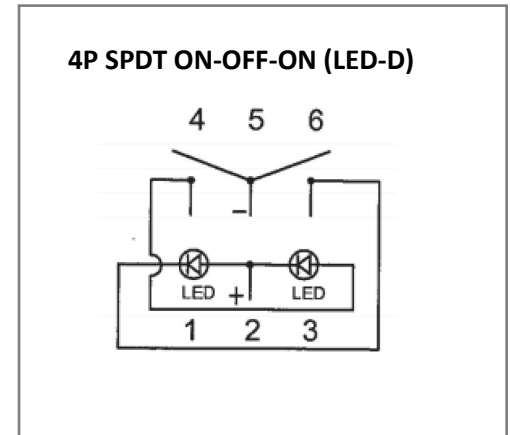
## Mechanical Dimensions: Inches [mm]



## Mounting Hole



## Circuit Diagram



## Electrical Specifications

|                              |                      |  |
|------------------------------|----------------------|--|
| <b>Rating</b>                | 21A 14V DC           |  |
| <b>Contact Resistance</b>    | 50m ohm Max          |  |
| <b>Insulation Resistance</b> | DC 500V 100M ohm Min |  |
| <b>Dielectric Strength</b>   | AC 1500V 1minute     |  |
| <b>Operation Temperature</b> | -20°C~85°C           |  |

## Material Specifications

|                 |                               |
|-----------------|-------------------------------|
| <b>Frame</b>    | Black, Nylon #66              |
| <b>Actuator</b> | Black, Nylon #66              |
| <b>LED</b>      | Green/Green, LEDs (Dependent) |

**Rev**    **Date of issue**    **Revision Notes**

**Designed**    **Approved**

|   |            |                 |    |    |
|---|------------|-----------------|----|----|
| B | 02-26-2020 | Initial Drawing | RC | OF |
|---|------------|-----------------|----|----|