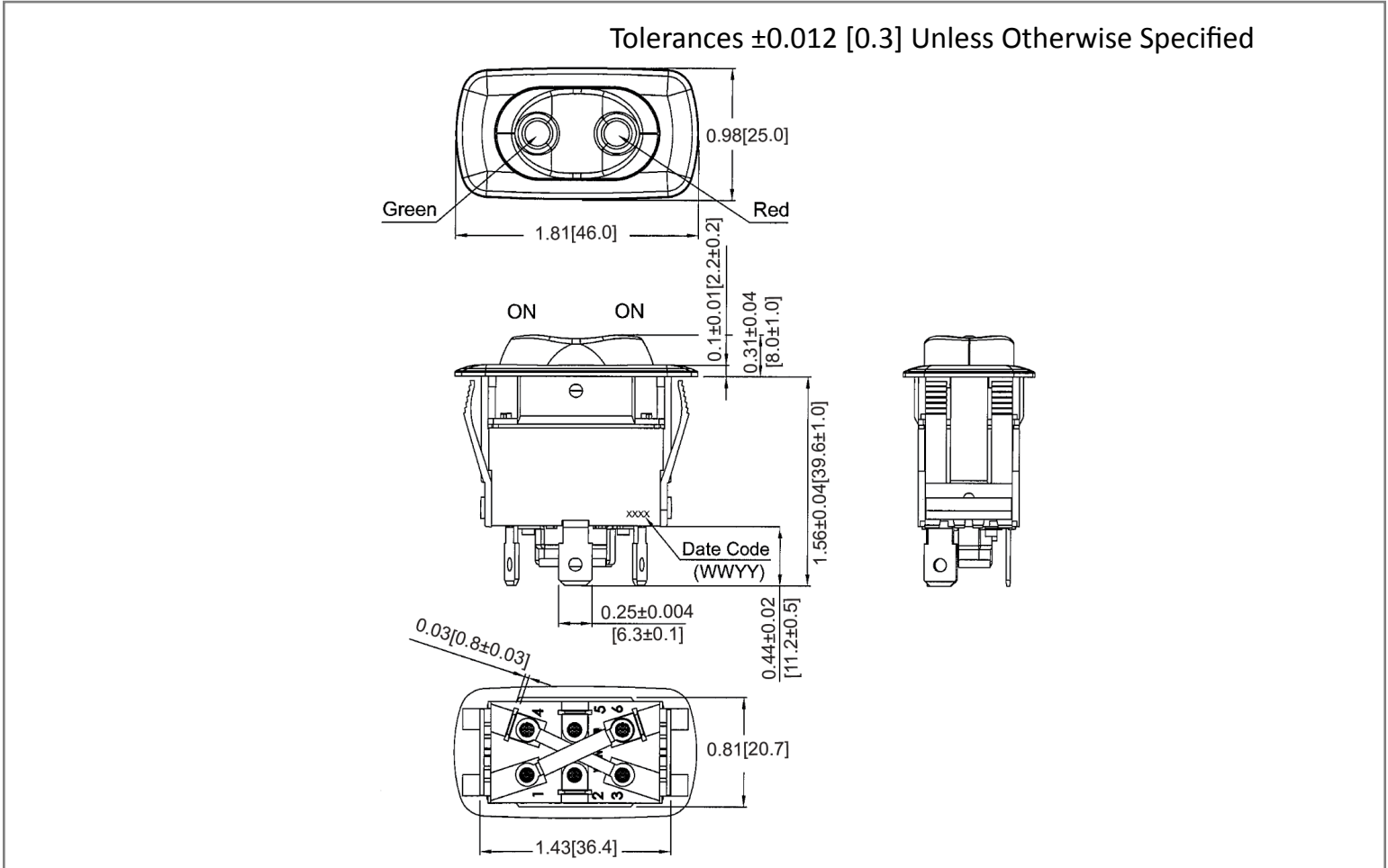
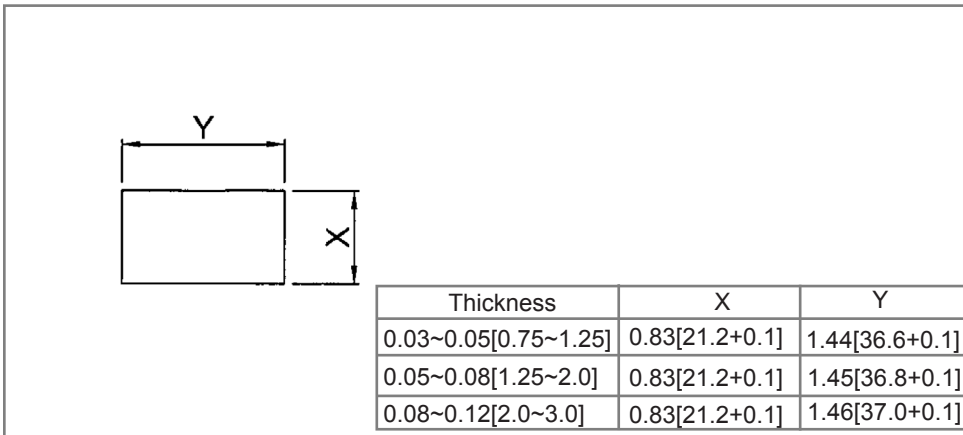


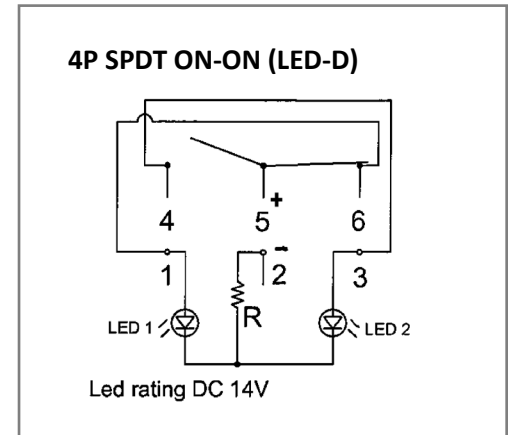
Mechanical Dimensions: Inches [mm]



Mounting Hole



Circuit Diagram



Electrical Specifications

Rating	21A 14V DC	
Contact Resistance	50m ohm Max	
Insulation Resistance	DC 500V 100M ohm Min	
Dielectric Strength	AC 1500V 1minute	
Operation Temperature	-20°C~85°C	

Material Specifications

Frame	Black, Nylon #66
Actuator	Black, Nylon #66
LED	Green/Red, LEDs (Dependent)

Rev **Date of issue** **Revision Notes**

Designed **Approved**

B	02-26-2020	Initial Drawing	RC	OF
---	------------	-----------------	----	----