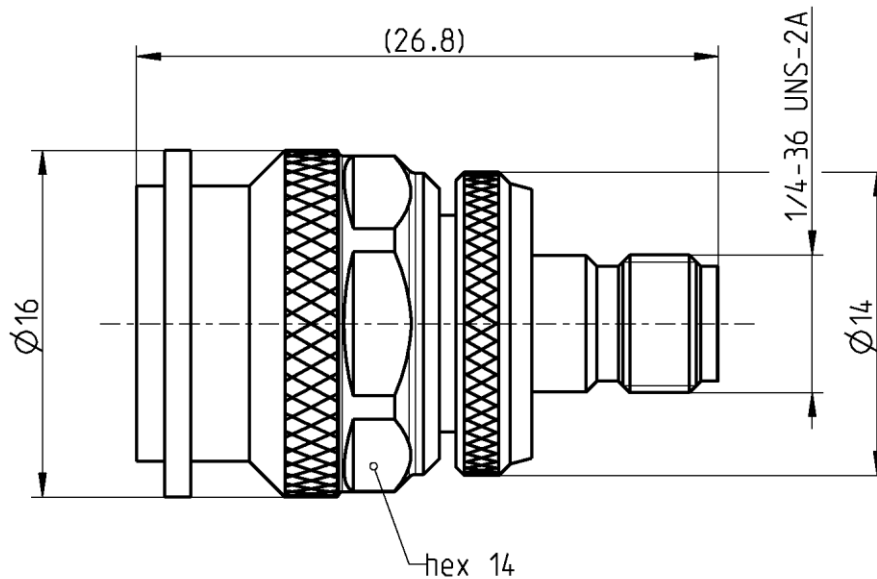


TNC 50 Ω
SMA

Adaptor
TNC 50 Ω Plug –
SMA Jack

56S132-K00L5



All dimensions are in mm; tolerances according to ISO 2768 m-H

Interface

According to TNC side: IEC 60169-17, MIL-PRF-39012, DIN EN 122200
SMA side: IEC 60169-15; EN 122110; MIL-STD-348A, Fig. 310

Documents

N/A

Material and plating

Connector parts

Center contact
Outer contact SMA side
Outer contact TNC side
Dielectric
Gasket

Material

CuBe
CuBe or equiv.
Brass
PTFE
NeopreneCR 50C6

Plating

AuroDur®, gold plated
AuroDur®, gold plated
Nickel, 2.5-5 µm

Dieses Dokument ist urheberrechtlich geschützt • This document is protected by copyright • Rosenberger Hochfrequenztechnik GmbH & Co. KG

RFB00035/12.20/6.4

TNC 50 Ω
SMA

Adaptor
TNC 50 Ω Plug –
SMA Jack

56S132-K00L5

Electrical data

Impedance	50 Ω	
Frequency	DC to 10 GHz	
Return loss	≥ 33 dB, DC to 1 GHz	
	≥ 30 dB, 1 to 2 GHz	
	≥ 28 dB, 2 to 4 GHz	
Insertion loss	≤ 0.05 dB, DC to 4 GHz	
Insulation resistance	≥ 5 x10 ³ MΩ	
Center contact resistance	≤ 1.5 mΩ, TNC side;	≤ 3 mΩ, SMA side
Outer contact resistance	≤ 1 mΩ, TNC side;	≤ 2 mΩ, SMA side
Test voltage	1000 V rms	
Working voltage	480 V rms	
Power handling (at 20 °C, sea level, VSWR 1.0)	≤ 80 W @ 2 GHz	

Mechanical data

	TNC side	SMA side
Mating cycles	min. 500	min. 500
Center contact captivation: axial	≥ 27 N	≥ 27 N
Coupling test torque	max. 1.7 Nm	max. 1.7 Nm
Recommended torque	0.46 Nm to 0.69 Nm	0.8 Nm to 1.1 Nm

Environmental data

Temperature range	-65°C to +165°C
Thermal shock	MIL-STD-202, Meth. 107, Cond. B
Corrosion	MIL-STD-202, Meth. 101, Cond. B
Vibration	MIL-STD-202, Meth. 204, Cond. B
Shock	MIL-STD-202, Meth. 213, Cond. G
Moisture resistance	MIL-STD-202, Meth. 106
RoHS	compliant

Tooling

N/A

Suitable cables

N/A

Weight

Weight 16.5 g/pce

While the information has been carefully compiled to the best of our knowledge, nothing is intended as representation or warranty on our part and no statement herein shall be construed as recommendation to infringe existing patents. In the effort to improve our products, we reserve the right to make changes judged to be necessary.

For the installation of the electrotechnical equipment, particular electrotechnical expertise is required.



Draft	Date	Approved	Date	Rev.	Engineering change number	Name	Date
Inge Mühlauer	10.08.04	Chr. Janßen	02.02.21	c00	20-1927	S. Huber-Siegl	02.02.21

Rosenberger Hochfrequenztechnik GmbH & Co. KG
P.O.Box 1260 D-84526 Tittmoning Germany
www.rosenberger.com

Tel. : +49 8684 18-0
Email : info@rosenberger.com

Page
2 / 2