

Illuminated Toggle Switches

Bat and Paddle Handle

Features

- .250" Quick-Connect Terminals



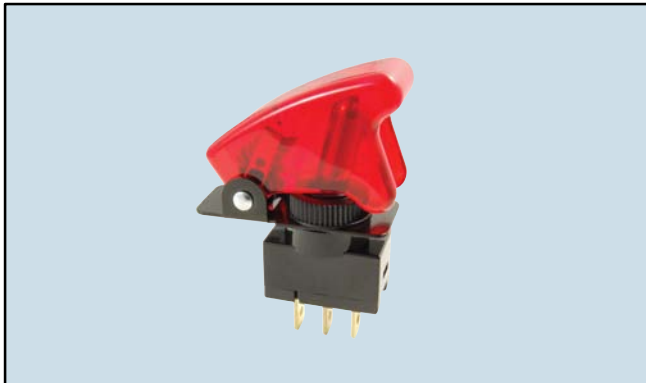
NTE Type No.	Circuitry	Action			Actuator				Diag No.
					Material	Color		Vltg	
						Neon	LED		
54-714	SPST	ON	NONE	OFF	PC	-	Red	DC	S128b
54-715	SPST	ON	NONE	OFF	PC	-	Red	DC	S128c
54-716	SPST	ON	NONE	OFF	PC	-	Note 1	DC	S128a

Note 1. ON is green lighted, OFF is red lighted.

On/Off Metal Toggle w/Cover

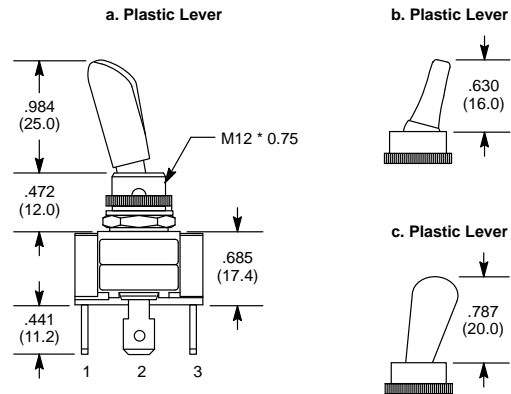
Features

- Illuminated Switch Includes Safety Cover
- .250" Quick-Connect Terminals



NTE Type No.	Circuitry	Action			Actuator				Diag No.
					Material	Color		Vltg	
						Neon	LED		
54-721	SPST	ON	NONE	OFF	PC	-	Red	DC	S31d

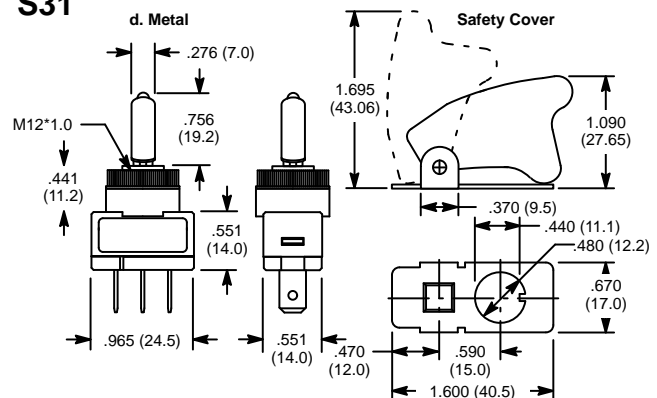
S128



Specifications

Current Rating: 20A 12VDC, 10A 24VDC
Lens Color: See Table
Lamp Voltage: 12V LED (DC)
Insulation Resistance: 100 Megohms (min.) at 500VDC
Dielectric Strength: 1500V RMS (min.)
Temperature Rating: -4° to +180°F (-20° to +85°C)
Electrical Life: 6,000 cycles
Mechanical Life: 10,000 cycles
Terminal Type: .250" Tab Q.C.
Mounting Hole: .480 (12.2)

S31



Specifications

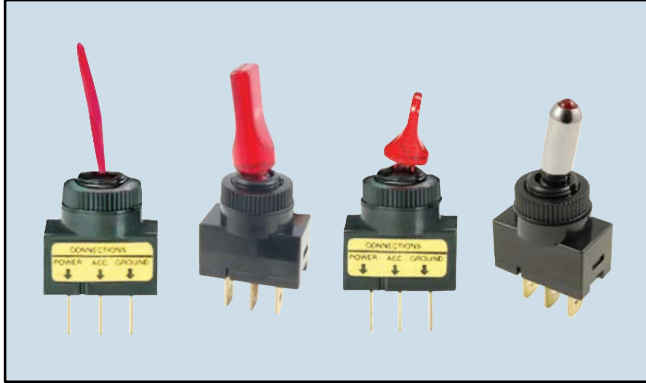
Current Rating: 20A 12VDC
Lens Color: See Table
Lamp Voltage: 12V Neon (AC) & 12V LED (DC)
Insulation Resistance: 100 Megohms (min.) at 500VDC
Dielectric Strength: 1000V RMS (min.)
Temperature Rating: -4 to +180 F (-20 to +85 C)
Electrical Life: 25,000 cycles
Mechanical Life: 100,000 cycles
Terminal Type: .250" Tab Q.C.
Mounting Hole: .500 (12.7)

Illuminated Toggle Switches

On/Off Bat Handle, Duckbill, Transparent, and Metal Toggle

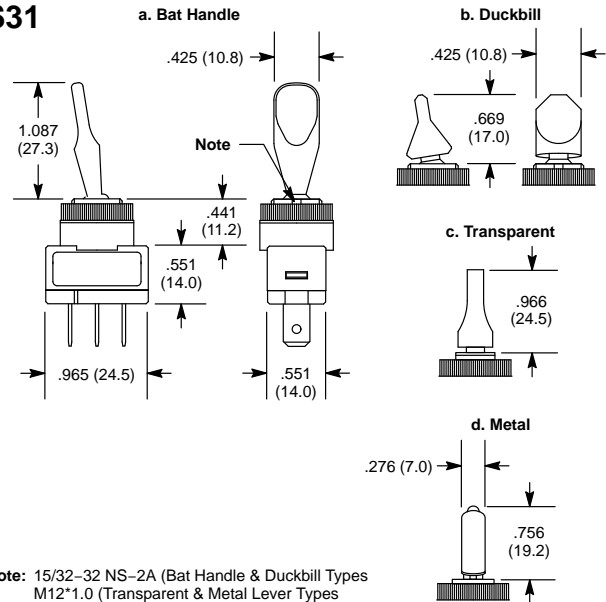
Features

- Bat Handle, Duckbill, Transparent, and Metal Types
- .250" Quick-Connect Terminals



NTE Type No.	Circuitry	Action			Actuator				Diag No.
					Material	Color		Vltg	
						Neon	LED		
54-567	SPST	ON	NONE	OFF	PC	Red	-	AC	S31a
54-568	SPST	ON	NONE	OFF	PC	Green	-	AC	S31a
54-569	SPST	ON	NONE	OFF	PC	Amber	-	AC	S31a
54-570	SPST	ON	NONE	OFF	PC	Blue	-	AC	S31a
54-572	SPST	ON	NONE	OFF	PC	Red	-	AC	S31b
54-572-L	SPST	ON	NONE	OFF	PC	-	Red	DC	S31b
54-573	SPST	ON	NONE	OFF	PC	Amber	-	AC	S31b
54-574	SPST	ON	NONE	OFF	PC	Blue	-	AC	S31b
54-574-L	SPST	ON	NONE	OFF	PC	-	Blue	DC	S31b
54-575	SPST	ON	NONE	OFF	PC	Green	-	AC	S31b
54-575-L	SPST	ON	NONE	OFF	PC	-	Green	DC	S31b
54-705-R	SPST	ON	NONE	OFF	PC	-	Red	DC	S31c
54-705-A	SPST	ON	NONE	OFF	PC	-	Amber	DC	S31c
54-705-G	SPST	ON	NONE	OFF	PC	-	Green	DC	S31c
54-706-R	SPST	ON	NONE	OFF	PC	-	Red	DC	S31d
54-706-A	SPST	ON	NONE	OFF	Metal	-	Amber	DC	S31d
54-706-G	SPST	ON	NONE	OFF	Metal	-	Green	DC	S31d

S31



Specifications

Current Rating: 20A 12VDC

Lens Color: See Table

Lamp Voltage: 12V Neon (AC) & 12V LED (DC)

Insulation Resistance: 100 Megohms (min.) at 500VDC

Dielectric Strength: 1000V RMS (min.)

Temperature Rating: -4° to +180°F (-20° to +85°C)

Electrical Life: 25,000 cycles

Mechanical Life: 100,000 cycles

Terminal Type: .250" Tab Q.C.

Mounting Hole: .500 (12.7)

Illuminated Toggle Switches

Bat Handle w/Tri-Color LED Ring



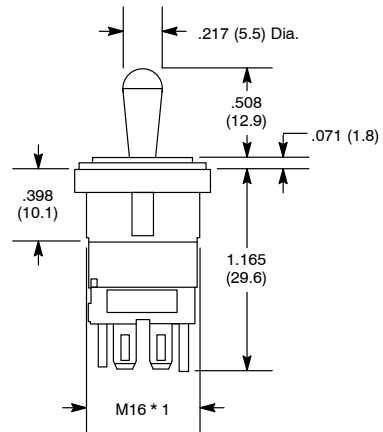
S150

Features

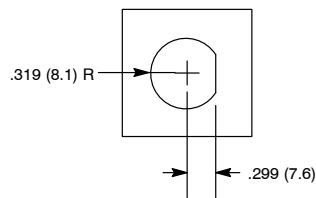
- IP67 Waterproof Rating
- Includes 6 (Red, Blue, Green, Yellow, Black, & White) Wires with Quick Connect Terminals



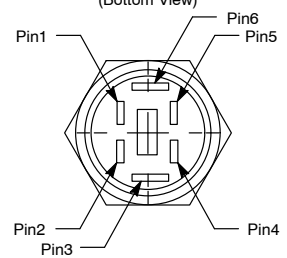
NTE Type No.	Circuitry	Action		Actuator			Diag No.	
				Material	Color			Vltg
					Neon	LED		
54-748	SPST	ON	OFF	PC	-	Red Green Blue	DC	S150



Mounting Hole



Pin Connections (Bottom View)



Pin #	Function
Pin1	LED (+)
Pin2	Blue LED (-)
Pin3	Switch (-)
Pin4	Green LED (-)
Pin5	Red LED (-)
Pin6	Switch (+)

Specifications

Current Rating: 20A 12VDC, 15A 125VAC, 5A 250VAC

Lens Color: See Table

Lamp Voltage: 12V LED (DC)

Insulation Resistance: 100 Megohms

Temperature Rating: -13° to +131°F (-25° to +55°C)

Terminal Type: .250" Tab Q.C.

Mounting Hole: .630 (16.0)