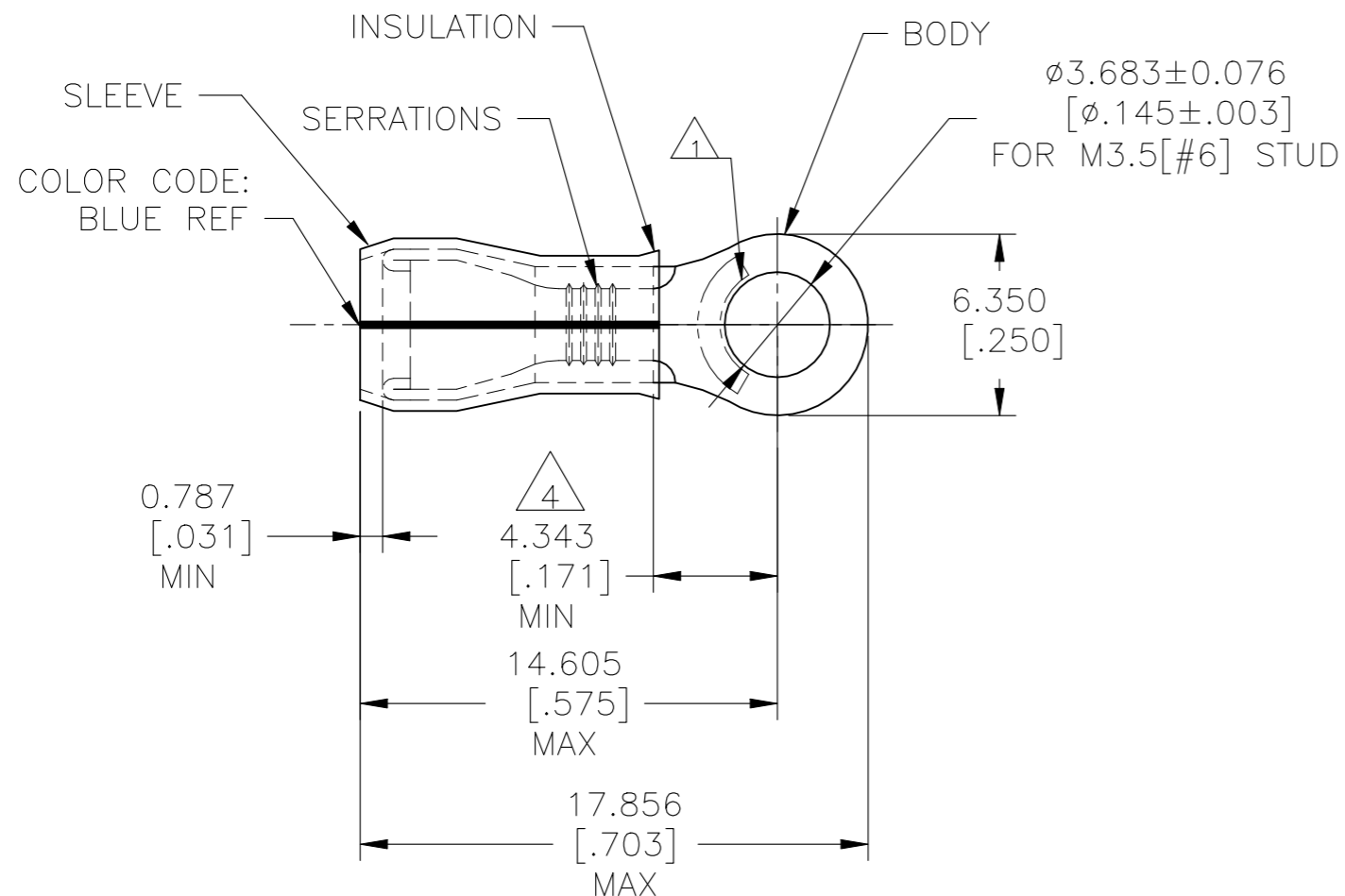
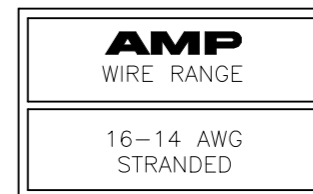


REVISIONS				
P	LTR	DESCRIPTION	DATE	APVD
	M5	REVISED PER ECN-22-156403	03JUN2022	RK CSD



- 1 STAMP AMP 16-14\* APPROX AS SHOWN.
- 2 WIRE INSULATION :  $\phi 2.667-3.810 [\phi .105-.150]$
- 3 BODY MATERIAL THK:  $0.787 \pm 0.051 [\ .031 \pm .002 ]$
- 4 APPLIES FROM EDGE OF METAL WIRE BARREL TO CENTER OF STUD HOLE.
- 5 MEETS M7928/4-106, CLASS 1  
MEETS M7928/13-106, CLASS 1
- 6 MATERIAL:  
BODY & SLEEVE: COPPER PER ASTM B152  
INSULATION: PVF2
- 7 FINISH:  
BODY & SLEEVE: TIN/LEAD (93-7) PLATE PER  
ASTM B545 (3% MIN LEAD CONTENT)  
INSULATION: COLOR-NATURAL.

1000	LOOSE PIECE	53415-1
QTY	PACKAGE TYPE	PART NO

AMP INCORPORATED CUSTOMER SERVICE SYSTEMS		MAX RECOMMENDED OPERATING TEMPERATURE: 150°C [302°F] MAX	THIS DRAWING IS A CONTROLLED DOCUMENT.		DWN JR RUTH 25OCT07	TE Connectivity				
FOR ADDITIONAL PRODUCT INFORMATION OR COPIES OF DRAWINGS AND TECHNICAL DOCUMENTS	PRODUCT INFORMATION CENTER 1-800-522-6752	VOLTAGE RATING: N/A	DIMENSIONS: mm [INCHES]	TOLERANCES UNLESS OTHERWISE SPECIFIED:	CHK T MICHELUTTI 25OCT07				NAME	
FOR APPLICATION TOOLING INFORMATION	TOOLING ASSISTANCE CENTER 1-800-722-1111	CIRCULAR MIL AREA: 1.04-2.62mm <sup>2</sup> [2,050-5,180] STRANDED		0 PLC ± - 1 PLC ± - 2 PLC ± - 3 PLC ± 0.127[.005] 4 PLC ± - ANGLES ± -	APVD T MICHELUTTI 25OCT07	TERMINAL, RING TONGUE, PVF2, P.I.D.G. WIRE SIZE: 16-14 AWG				
FOR ORDER ENTRY	1-800-526-5142	THIS DRAWING IS A CONTROLLED DOCUMENT FOR AMP INCORPORATED. IT IS SUBJECT TO CHANGE AND THE CONTROLLING ENGINEERING ORGANIZATION SHOULD BE CONTACTED FOR THE LATEST REVISION.	MATERIAL	FINISH	PRODUCT SPEC -	APPLICATION SPEC 114-2157	SIZE A3	CAGE CODE 00779	DRAWING NO C-53415	RESTRICTED TO -
					WEIGHT -	CUSTOMER DRAWING	SCALE 4:1	SHEET 1 OF 1	REV M5	