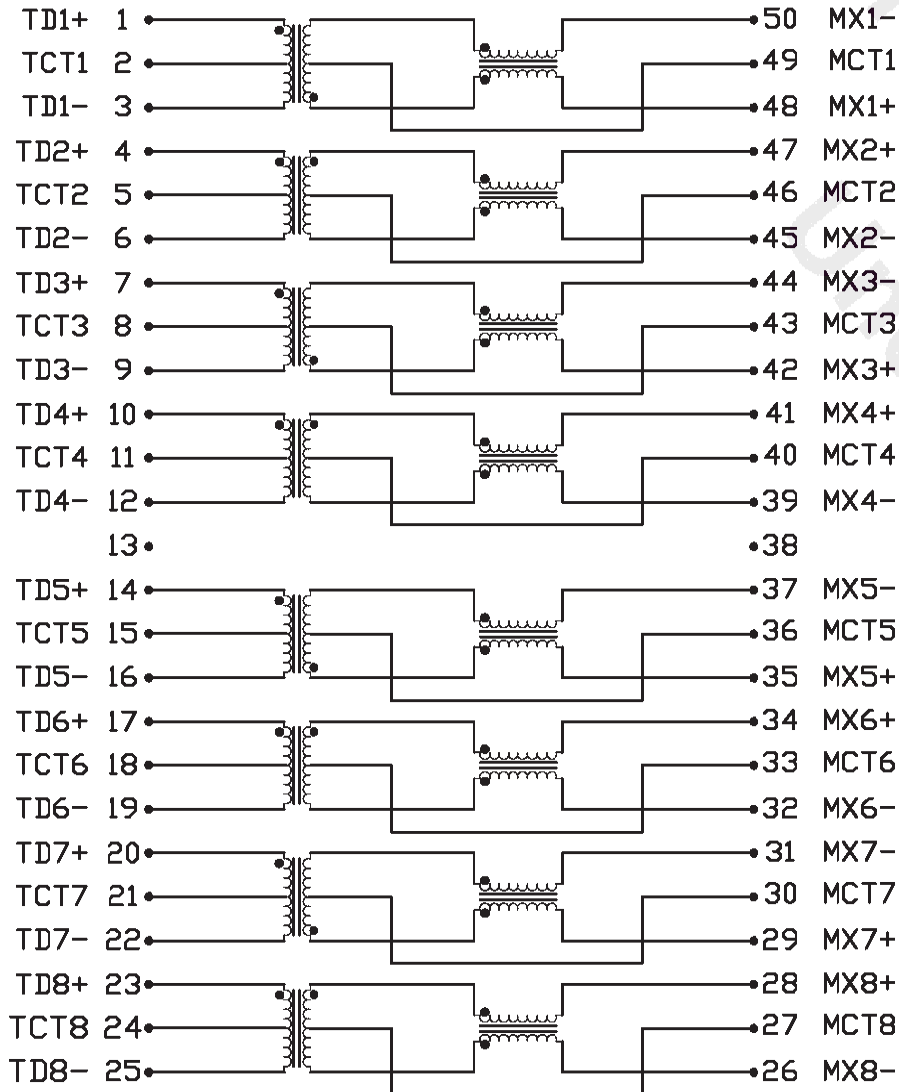


THE INFORMATION CONTAINED HEREIN IS CONSIDERED "PROPRIETARY" TO BEL FUSE INC. AND SHALL NOT BE COPIED, REPRODUCED OR DISCLOSED WITHOUT THE WRITTEN APPROVAL OF BEL FUSE INC.



SCHEMATIC



ELECTRICAL CHARACTERISTICS @ 25°C

TURNS RATIO 1CT : 1CT
 POLARITY PER DOT CONVENTION
 OCL 350µH MIN @100kHz, 100mV
 -40°C TO +85°C WITH 8mA DC BIAS
 PIN(1-3), (4-6), (7-9), (10-12)
 PIN(14-16), (17-19), (20-22), (23-25)
 INSERTION LOSS 1.0dB MAX @1 TO 100MHz
 RETURN LOSS

FREQ(MHz)	1-30	40	50	60-80	100
dB MIN	18	14.4	13.1	12	10

 MEASURED UNDER 100Ω ENVIRONMENT
 DIFFERENTIAL TO COMMON MODE REJECTION 40dB MIN @30MHz
 35dB MIN @60MHz
 30dB MIN @100MHz
 CROSSTALK 40dB MIN @30MHz
 33dB MIN @60MHz
 28dB MIN @100MHz
 HIPOT 1500Vrms

ORIGINATED BY	DATE
Alice Pang	2015-11-27
DRAWN BY	DATE
ZC Guo	2015-11-27

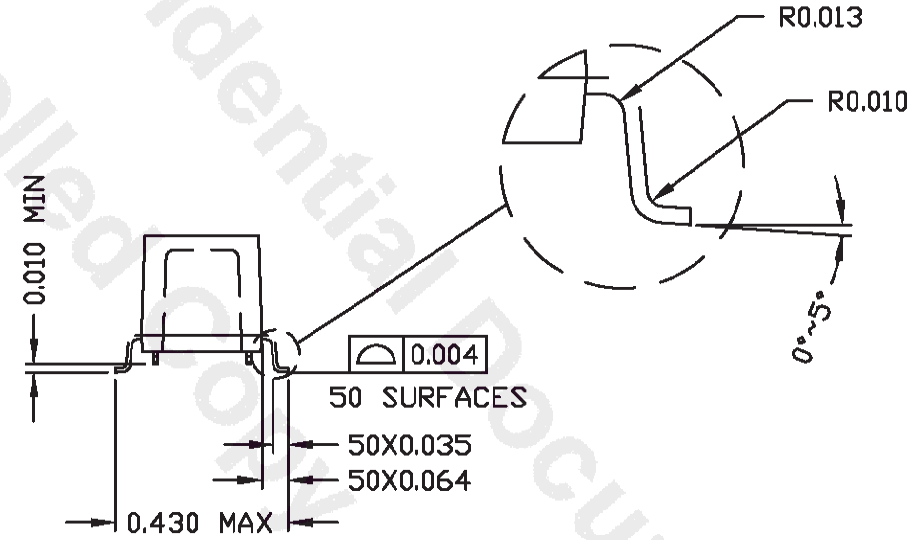
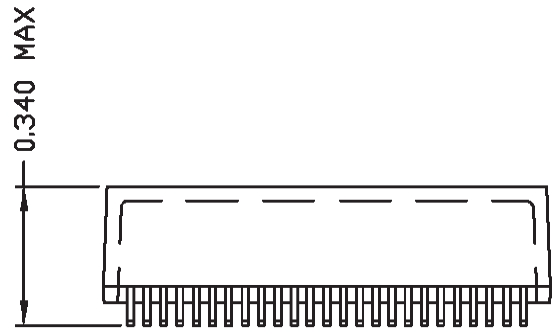
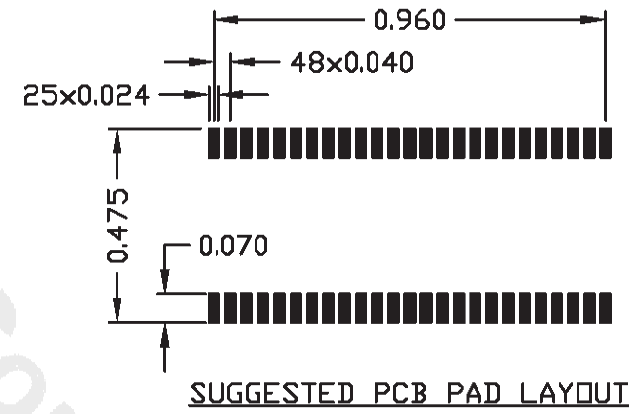
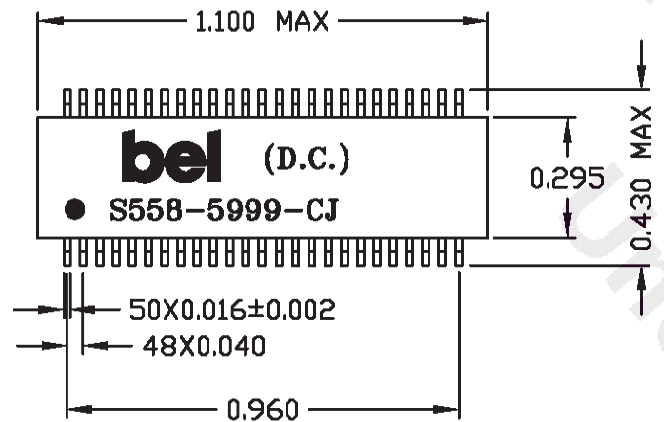
TITLE
ELECTRICAL SPECIFICATION

PART NO. / DRAWING NO.
S558-5999-CJ
FILE NAME
S5585999CJB.DWG

STANDARD DIM.	[] METRIC DIM. AS REF.
TOL. IN INCH	UNIT : INCH [mm]
.X	SCALE : N/A
.XX	SIZE : A4
.XXX	

REV. : B	PAGE : 2
POWER PROTECT CONNECT	

THE INFORMATION CONTAINED HEREIN IS CONSIDERED "PROPRIETARY" TO BEL FUSE INC. AND SHALL NOT BE COPIED, REPRODUCED OR DISCLOSED WITHOUT THE WRITTEN APPROVAL OF BEL FUSE INC.



- NOTES:**
1. STANDARD MARKING REFER TO DDC. HAND-WORK-04.
 2. PACKAGE CODE: "RUS001".

REV. : B PAGE : 3



ORIGINATED BY	DATE	TITLE	PART NO. / DRAWING NO.	STANDARD DIM.	[] METRIC DIM. AS REF.
Lawrence Tsang	2015-11-27	MECHANICAL OUTLINE	S558-5999-CJ	TOL. IN INCH	UNIT : INCH [mm]
DRAWN BY	DATE		FILE NAME	.X	SCALE : N/A
ZC Guo	2015-11-27		S5585999CJB.DWG	.XX	SIZE : A4
				.XXX	±0.005