

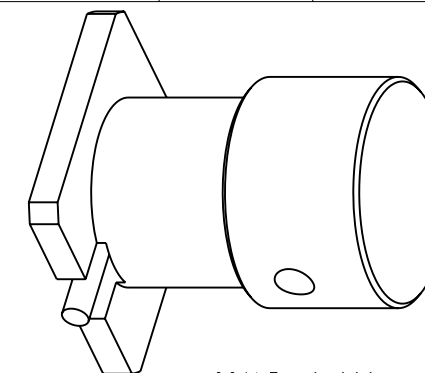
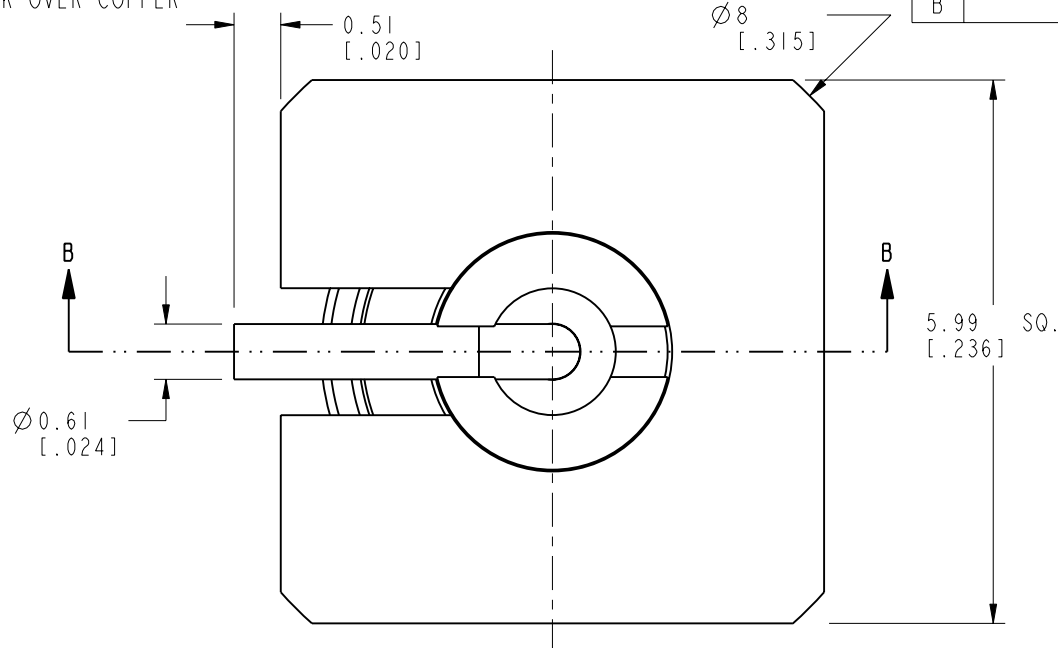
NOTES:

1. MATERIALS AND FINISHES:
 BODY - BRASS, GOLD PLATING, .000030 INCH [0.0008 MM] THICK OVER COPPER
 CONTACT - BERYLLIUM COPPER, GOLD PLATING, .000030 INCH [0.0008 MM] THICK OVER COPPER
 INSULATOR - PEEK OR LCP, NATURAL
 CAP - PTFE, NATURAL
2. ELECTRICAL:
 A. IMPEDANCE: 50 OHM
 B. FREQUENCY RANGE: DC - 12 GHz
 C. VSWR(RETURN LOSS): 1.10 (26 dB), MAX. DC-6GHz
 1.20 (21 dB), MAX. 6-12GHz
 D. DIELECTRIC WITHSTANDING VOLTAGE: 500 VRMS, MIN.
3. PHYSICAL:
 A. DURABILITY: 500 CYCLES MIN.
 B. ENGAGEMENT FORCE: 10 LB [45 N] MAX
 C. DISENGAGEMENT FORCE: 2 LB [9 N] MIN
 D. INNER CONTACT RETENTION FORCE: 1.5 LB [7 N] MIN
 E. TEMPERATURE RANGE: -65° C TO 165° C
 F. INSULATOR MATERIAL RATED TO UL94 V-0
4. PACKAGING:
 A. QUANTITY: TAPE & REEL PACKAGING, 700 PCS/REEL
 B. MARKING: REEL TO BE MARKED
 "AMPHENOL RF, SMP-MSLD-PCR-T, DATE CODE"

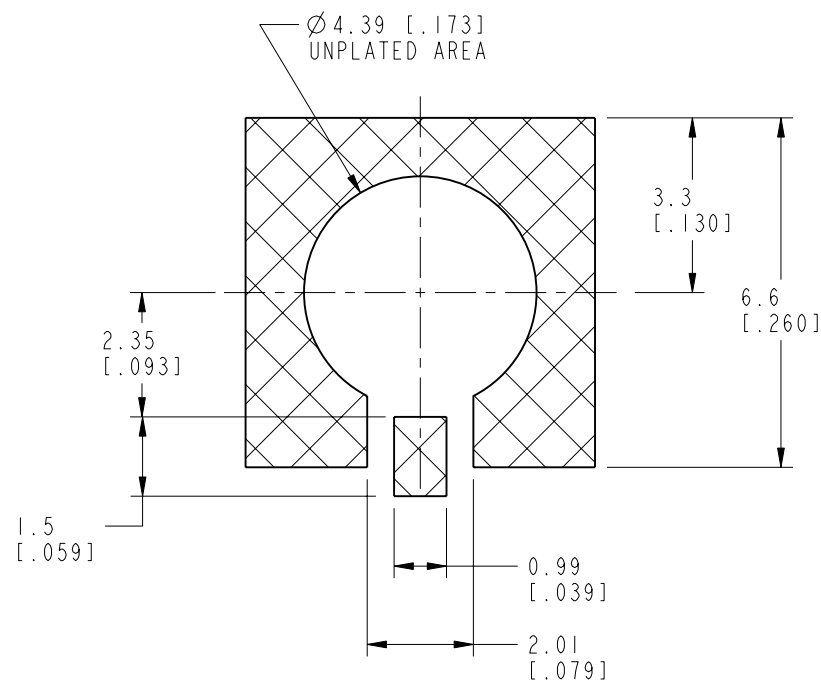
THIRD ANGLE PROJ.

REVISIONS

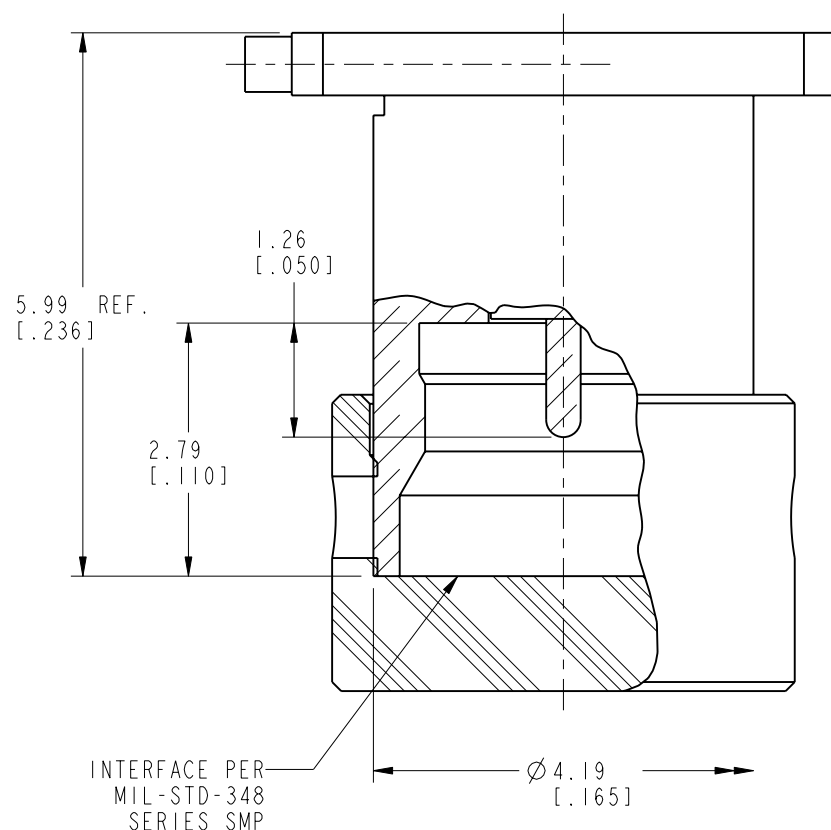
REV	DESCRIPTION	DATE	ECO	APPR
A	RELEASE TO MFG.	04-Jan-18	06301	MZ
B	"Ø4.19" WAS "Ø4.14"	30-Jan-18	06681	SH



SCALE 6.000



RECOMMENDED PCB PAD LAYOUT
SCALE 7.000



CUSTOMER OUTLINE DRAWING
ALL OTHER SHEETS ARE FOR INTERNAL USE ONLY

UNLESS OTHERWISE SPECIFIED, DIMENSIONS ARE IN METRIC AND TOLERANCES ARE:
 <0.5mm ±0.05mm 0.5 - 6mm ±0.1mm 6 - 30mm ±0.2mm 30 - 120mm ±0.3mm ANGLES ±1°

NOTICE - These drawings, specifications, or other data (1) are, and remain the property of Amphenol corp. (2) must be returned upon request; and (3) are confidential and not to be disclosed to any person other than those to whom they are given by Amphenol Corp. the furnishing of these drawings, specifications, or other data by Amphenol Corp., or to any other person to anyone for any purpose is not to be regarded by implication or otherwise in any manner licensing, granting rights to permitting such holder or any other person to manufacture, use or sell any product, process or design, patented or otherwise, that may in any way be related to or disclosed by said drawings, specifications, or other data.

MATERIAL	DRAWN M. ZHANG	DATE 30-Jan-18
REFERENCE EAR# 8117 SAME AS SMP-MSLD-PCR BUT WITH THE CAP CONFIGURATION LEVEL: FINISH	ENGINEER S. DUAN	DATE 11-Dec-17
	APPROVED S. HSIEH	DATE 30-Jan-18
	CAD FILE	

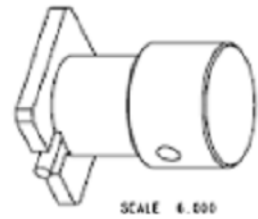
TITLE ASSEMBLY, PC BOARD, REAR MOUNT LIMITED DETENT (TAPE & REEL)	DWG SIZE B	REV B
SCALE: 12.0:1.0	SHEET 2 OF 3	

Amphenol RF www.amphenolrf.com	
DRAWING NO.	SMP-MSLD-PCR-T
ITEM NO.	SMP-MSLD-PCR-T
PART NO.	SMP-MSLD-PCR-T

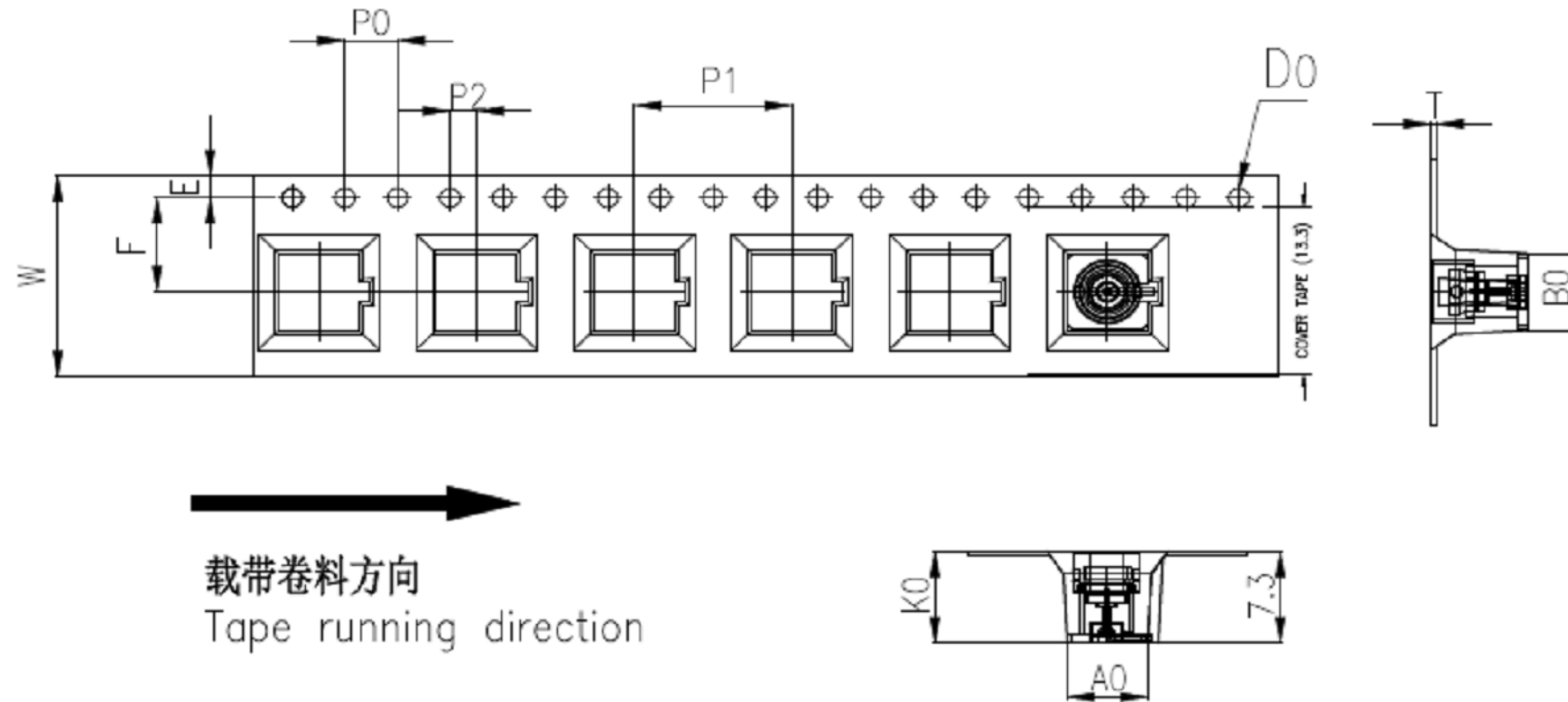
THIRD ANGLE PROJ.

REVISIONS

REV	DESCRIPTION	DATE	ECO	APPR
A	RELEASE TO MFG.	04-Jan-18	06301	MZ
B	SEE SHEET 2	30-Jan-18	06681	SH



SMP-MSLD-PCR-T



载带卷料方向
Tape running direction

1. 10 sprocket hole pitch cumulative tolerance $\pm 0.20\text{mm}$
2. Carrier camber not to exceed 1mm in 250mm.
3. A_0 and B_0 measured on a plane 0.3mm above the bottom of the pocket.
4. K_0 measured from a plane on the inside bottom of the pocket to the top surface of the carrier.
5. All dimensions meet EIA-481-D requirements.
6. Material: Black Conductive Polystyrene.
7. Thickness: $0.40 \pm 0.05 \text{ mm}$.
8. Packing length per 13" reel: 9.12Meters.
9. Component loader per 13" reel: 700PCS.

注:未注公差为 ± 0.10

ITEM	W	A_0	B_0	K_0	K_1	P_1	F	E	D_0	D_1	P_0	P_2	T
DIM	16.0 ± 0.3	6.14 ± 0.1	6.14 ± 0.1	7.30 ± 0.1		12.0 ± 0.1	7.5 ± 0.1	1.75 ± 0.1	$1.50^{+0.10}_{-0.08}$		4.00 ± 0.1	2.00 ± 0.1	0.4 ± 0.05

UNLESS OTHERWISE SPECIFIED, DIMENSIONS ARE IN METRIC AND TOLERANCES ARE:
 < 0.5mm $\pm 0.05\text{mm}$ 0.5 - 6mm $\pm 0.1\text{mm}$ 6 - 30mm $\pm 0.2\text{mm}$ 30 - 120mm $\pm 0.3\text{mm}$ ANGLES $\pm 1^\circ$

NOTICE - These drawings, specifications, or other data (1) are, and remain the property of Amphenol corp. (2) must be returned upon request; and (3) are confidential and not to be disclosed to any person other than those to whom they are given by Amphenol Corp. the furnishing of these drawings, specifications, or other data by Amphenol Corp., or to any other person to anyone for any purpose is not to be regarded by implication or otherwise in any manner licensing, granting rights to permitting such holder or any other person to manufacture, use or sell any product, process or design, patented or otherwise, that may in any way be related to or disclosed by said drawings, specifications, or other data.

MATERIAL	DRAWN M. ZHANG	DATE 30-Jan-18	TITLE ASSEMBLY, PC BOARD, REAR MOUNT LIMITED DETENT (TAPE & REEL)	Amphenol RF www.amphenolrf.com
REFERENCE EAR# 8117 SAME AS SMP-MSLD-PCR BUT WITH THE CAP CONFIGURATION LEVEL:	ENGINEER S. DUAN	DATE 11-Dec-17		
FINISH	APPROVED S. HSIEH	DATE 30-Jan-18	SCALE: 12.0:1.0 SHEET 3 OF 3	DRAWING NO. SMP-MSLD-PCR-T
	CAD FILE		DWG SIZE B	REV B
				ITEM NO. SMP-MSLD-PCR-T
				PART NO. SMP-MSLD-PCR-T