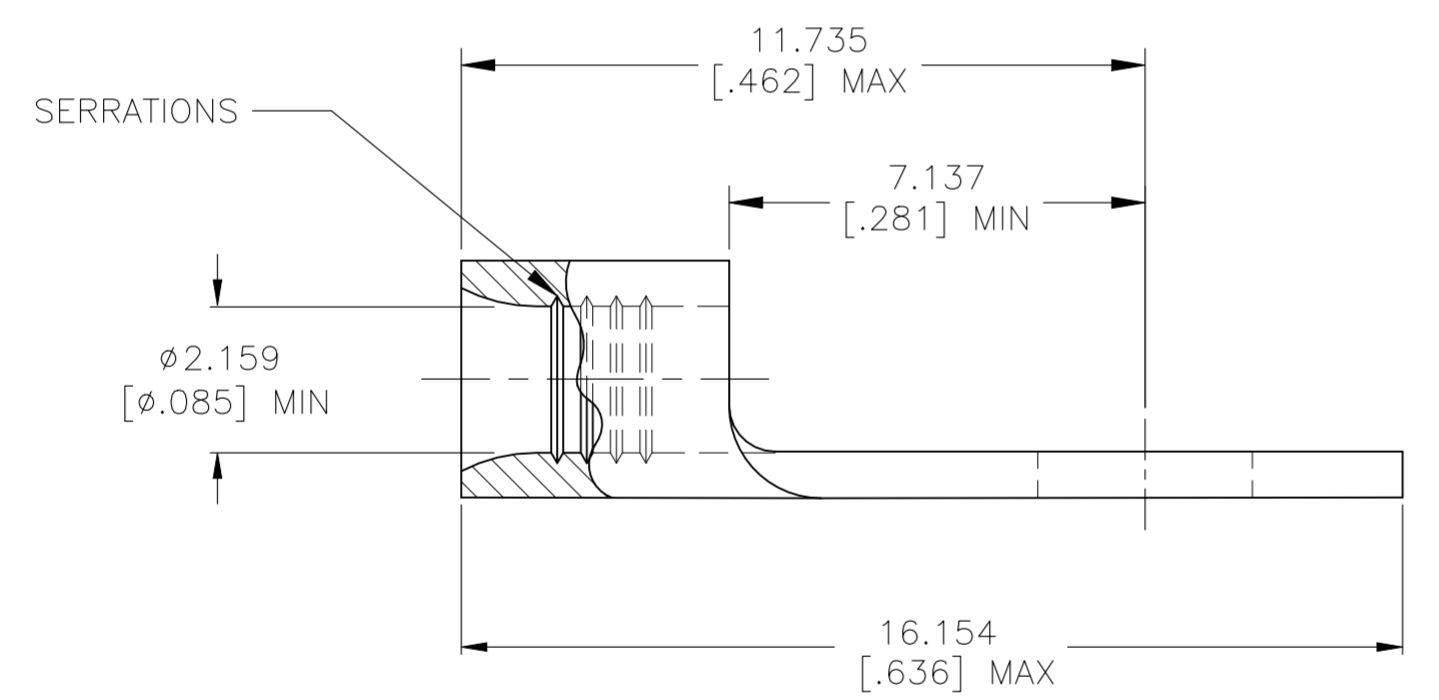
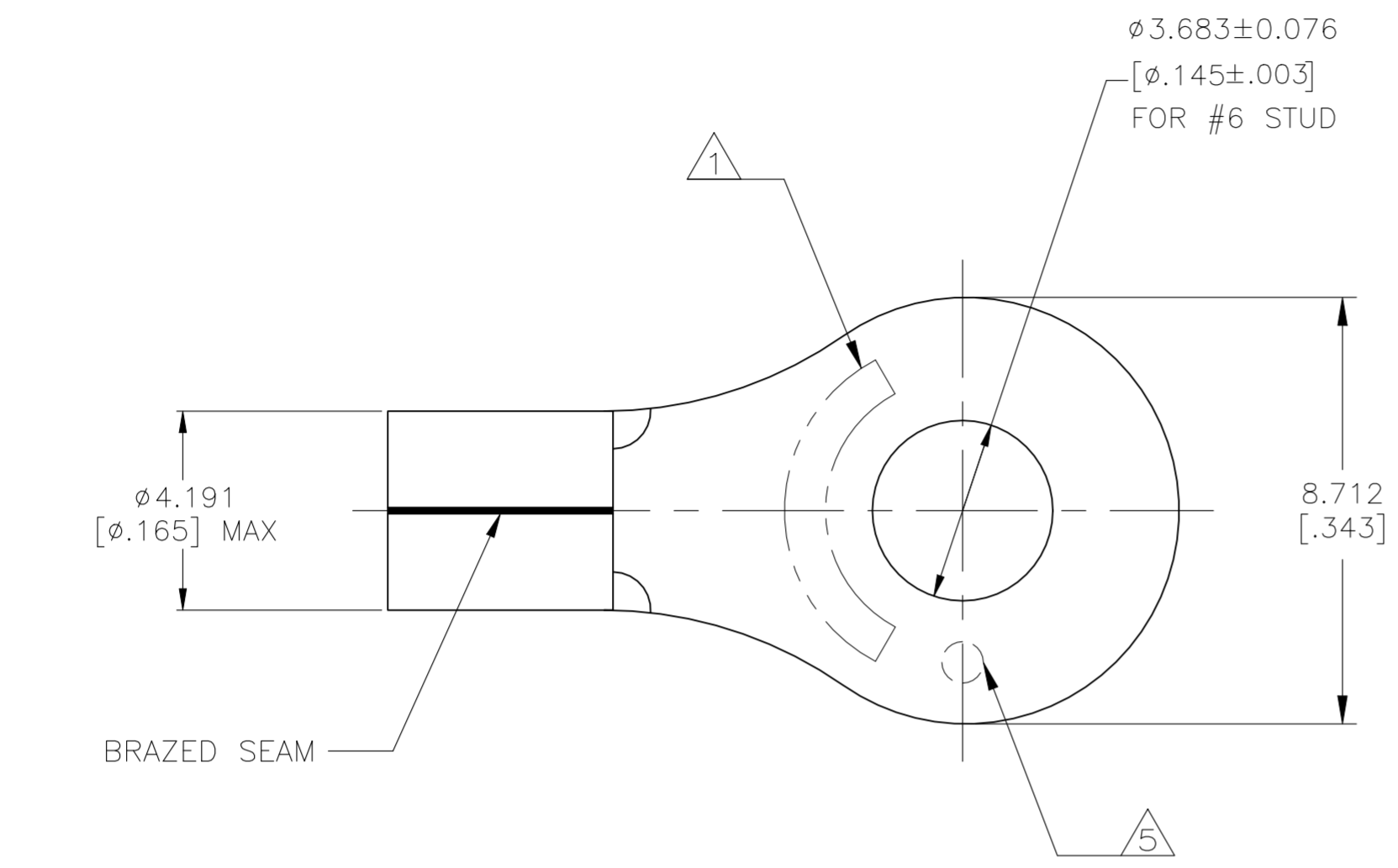


REVISIONS					
P	LTR	DESCRIPTION	DATE	DWN	APVD
H		REVISED PER ECR-23-181664	03AUG2023	SA	DSC



METRIC
DIMENSIONS LISTED IN mm [INCHES]

AMP WIRE RANGE	E13288 Listed
16-14 AWG SOLID OR STRANDED	NOT APPLICABLE
LR7189 Certified	MILITARY P/N AND CLASS
NOT APPLICABLE	NOT APPLICABLE

- 1 STAMP AMP 16-14* APPROX AS SHOWN
- 2 MATERIAL: COPPER PER ASTM B152, ANNEALED
- 3 FINISH: NICKEL PLATE 0.00762[.000300]
MIN EXT THK PER SAE AMS-QQ-N-290
- 4 BODY MATERIAL THK: 0.787±0.051[.031±.002]
- 5 DIMPLE STAMP MARK OPTIONAL

1000	LOOSE PIECE	322693
QTY	PACKAGING TYPE	PART NO

AMP INCORPORATED CUSTOMER SERVICE SYSTEMS		MAX RECOMMENDED OPERATING TEMPERATURE: 343° C [650°F]		THIS DRAWING IS A CONTROLLED DOCUMENT.		DWN TA BRINKMAN 4-19-93 CHK DA PATTERSON 4-19-93 APVD DE MECKLEY 4-19-93 PRODUCT SPEC APPLICATION SPEC WEIGHT -		TE Connectivity NAME TERMINAL, RING TONGUE, HEAT RESISTANT, STRATO-THERM,™ WIRE SIZE:16-14AWG	
		FOR ADDITIONAL PRODUCT INFORMATION OR COPIES OF DRAWINGS AND TECHNICAL DOCUMENTS PRODUCT INFORMATION CENTER 1-800-522-6752	VOLTAGE RATING: NOT APPLICABLE	DIMENSIONS: mm [INCHES] 	TOLERANCES UNLESS OTHERWISE SPECIFIED: 0 PLC ± - 1 PLC ± - 2 PLC ± - 3 PLC ± 0.127[.005] 4 PLC ± - ANGLES ± -	MATERIAL 2 FINISH 3		SIZE A2 CAGE CODE 00779 DRAWING NO C=322693	RESTRICTED TO -
FOR APPLICATION TOOLING INFORMATION TOOLING ASSISTANCE CENTER 1-800-722-1111	WIRE CROSS SECTIONAL AREA RANGE: 1.04-2.62mm² [2050-5180] CIR MILS SOLID OR STRANDED	THIS DRAWING IS A CONTROLLED DOCUMENT FOR AMP INCORPORATED. IT IS SUBJECT TO CHANGE AND THE CONTROLLING ENGINEERING ORGANIZATION SHOULD BE CONTACTED FOR THE LATEST REVISION.		CUSTOMER DRAWING		SCALE 8:1	SHEET 1 of 1	REV H	
FOR ORDER ENTRY 1-800-526-5142									

322693