

S CN BN - J 2 1 50 - SO RPM

SUNTSU

CONNECTOR

BNC

Connector Type
Jack

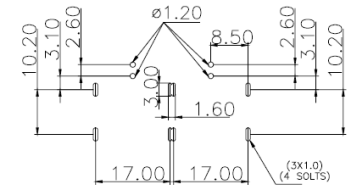
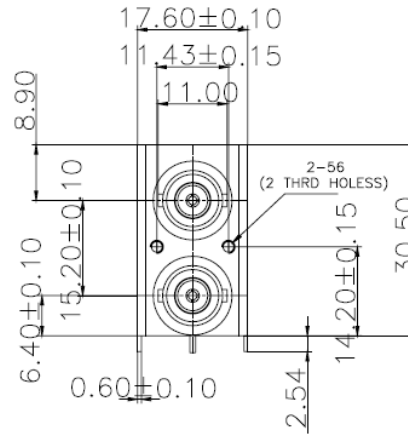
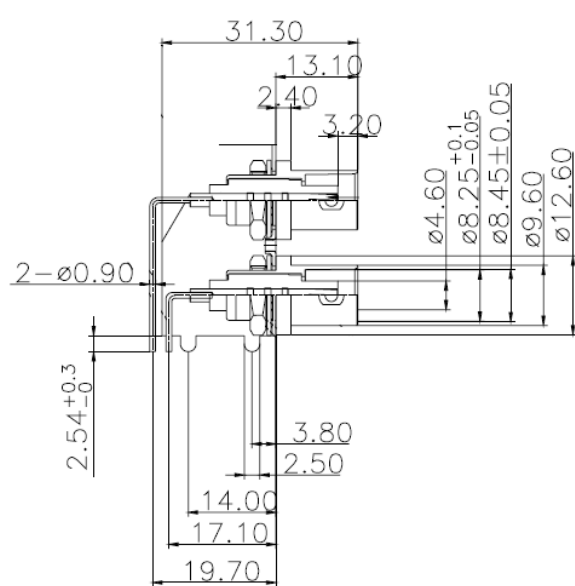
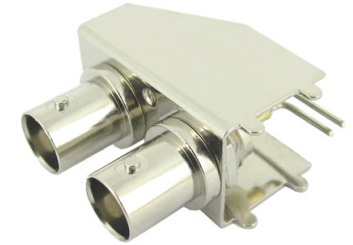
Rows
2

Connectors
per Row
1

Impedance
50

Contact Termination
Solder

Mounting Style
Right Angle PCB
Mount



**Recommended
Mounting
Layout**

1. Materials:
 - a) Body: Zinc Nickel Plated
 - b) Contact: Brass Nickel Plated
2. Normal Impedance: 50Ω
3. Frequency Range: 0-4 GHz
4. Max Peak Voltage: 500V
5. Dielectric Strength: 1500V RMS
6. Insulation Resistance: 5000MΩ/Min



**TWO BNC FEMALE PCB MOUNT
90°**

Document History			
Edits Made	Date	Edited By	Approved By
Initial Release	03/23/2022	B. Gibbons	KH Mun

Part No.	SCNBN-J2150-SORPM	Drawn	B. Gibbons	03/23/2022
Scale	Not drawn to scale	Tolerance	0.5-15 = ±0.15 15-30 = ±0.30 30-120 = ±0.60 >120 = ±1.00	
Unit	mm	Pages	1/1	