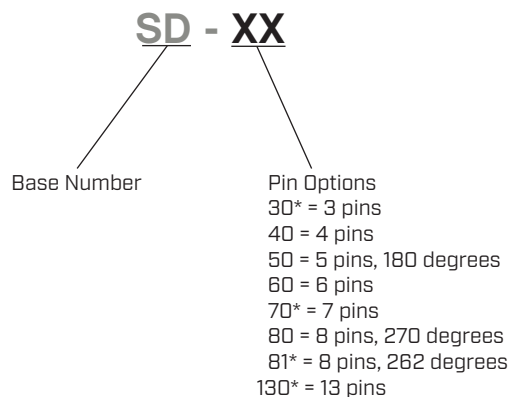


SERIES: SD | **DESCRIPTION:** STANDARD DIN CONNECTOR

FEATURES

- strain relief
- 3-13 pins
- 100 Vac rated


PART NUMBER KEY


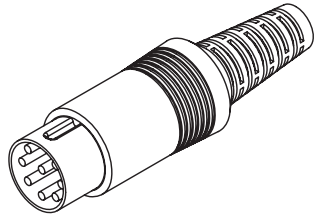
Note: *. Discontinued SD-30, SD-70- SD-81, & SD-130 models.

SPECIFICATIONS

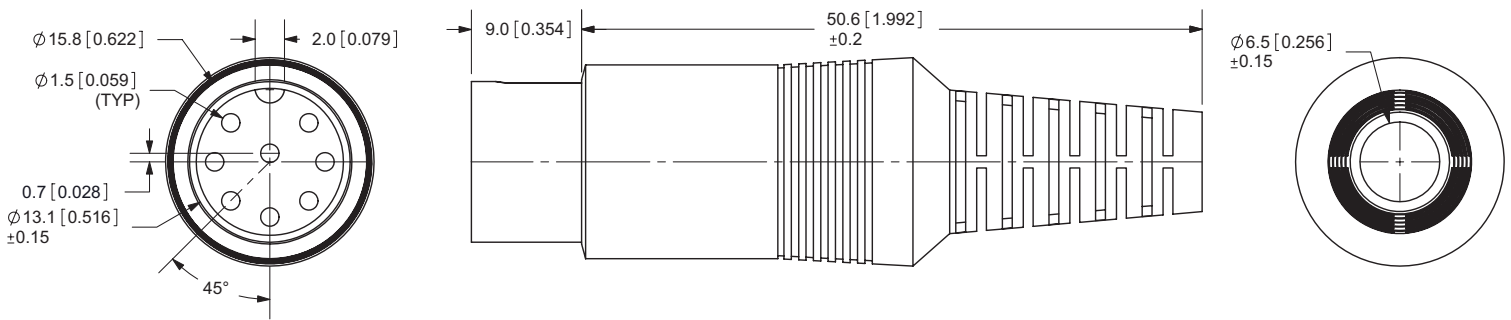
| parameter | conditions/description | min | typ | max | units |
|-----------------------|-------------------------|-----|-----------|--------|------------|
| rated input voltage | | | 100 12 | | Vac Vdc |
| rated input current | at 100 Vac at 12 Vdc | | | 1 2 | A A |
| contact resistance | | | | 30 | mΩ |
| insulation resistance | at 500 Vdc | 100 | | | MΩ |
| voltage withstand | for 1 minute | | | 1,000 | Vac |
| insertion force | | | | 4 | kg |
| withdrawal force | | 1 | | 3.5 | kg |
| operating temperature | | 5 | | 70 | °C |
| life | | | 5,000 | | cycles |
| RoHS | yes | | | | |

MECHANICAL DRAWINGS

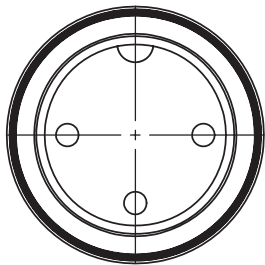
units: mm[inches]
tolerance: ±0.1 mm



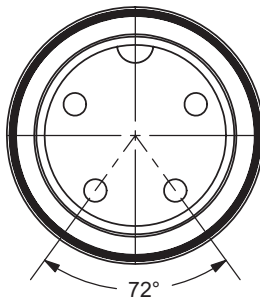
| | MATERIAL | PLATING |
|------------------------|----------|---------|
| contact pins (30-80) | brass | nickel |
| contact pins (81, 130) | brass | silver |
| shell | steel | nickel |
| insulator (30-80, 130) | PBT | |
| insulator (81) | ABS | |
| boot | EVA | |



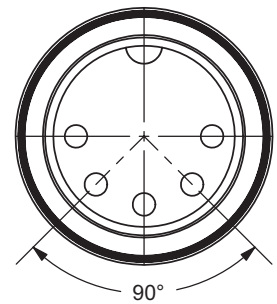
SD-30



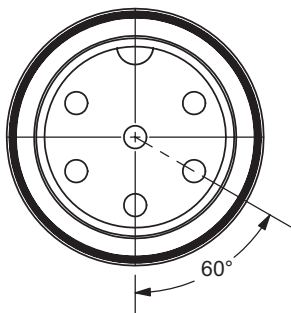
SD-40



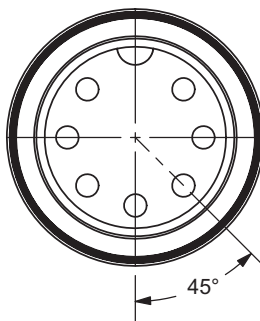
SD-50



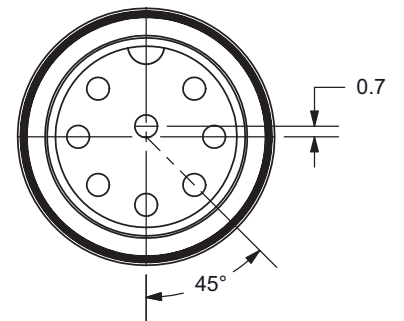
SD-60



SD-70

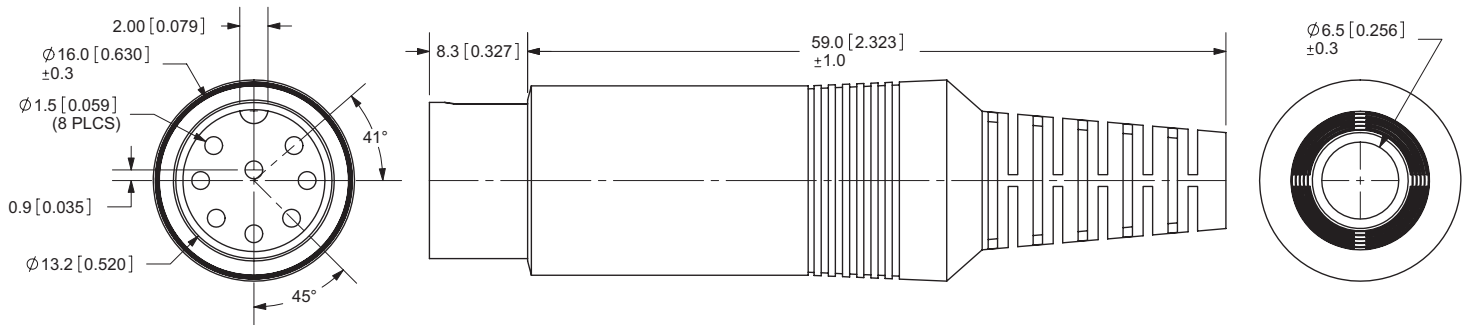
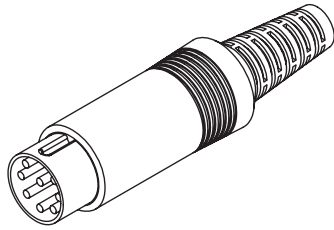


SD-80

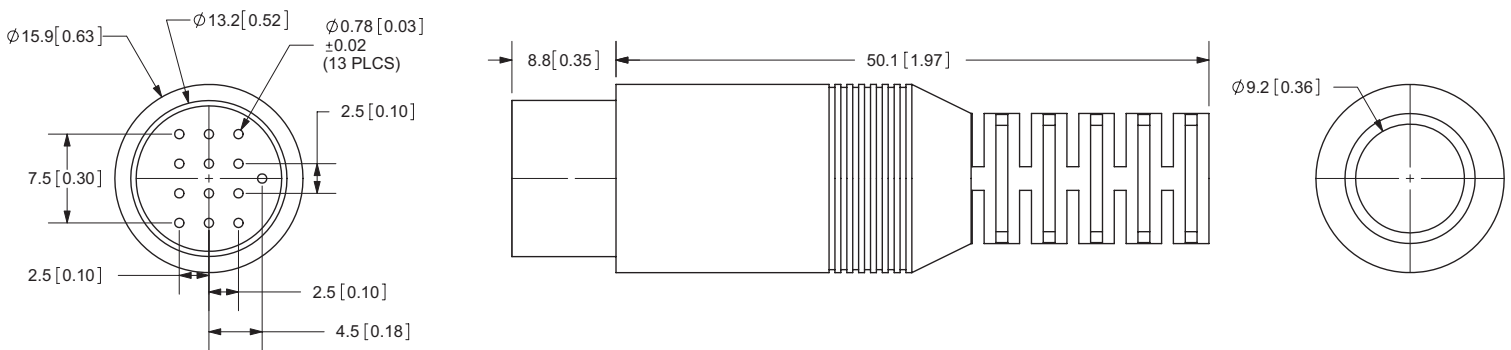
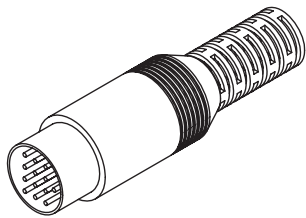


units: mm[inches]
tolerance: ±0.1 mm



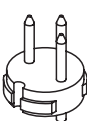
SD-81

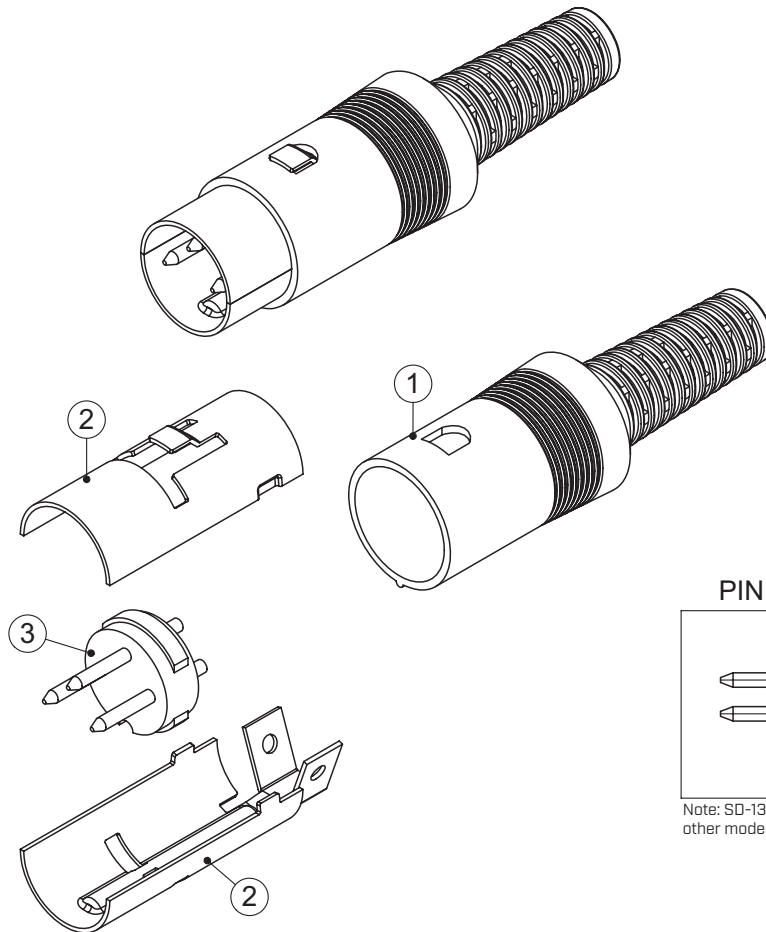


SD-130

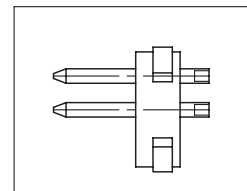


MECHANICAL ASSEMBLY

| | | |
|---|--------------|------------------------------------------------------------------------------------|
| 1 | cover |  |
| 2 | metal shield |  |
| 3 | housing |  |

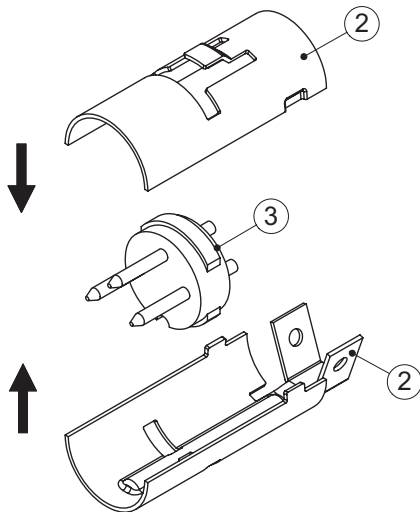


PIN DETAILS

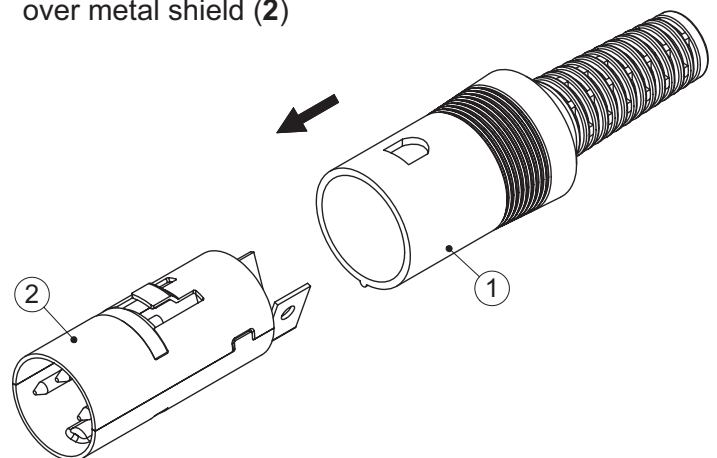


Note: SD-130 has solid solder pins. All other models have solder cups.

STEP 1
solder wires to
housing (3),
assemble metal
shield pieces (2)
onto housing (3)



STEP 2
slide cover (1)
over metal shield (2)



REVISION HISTORY

| rev. | description | date |
|------|-------------------------------------------|------------|
| 1.0 | initial release | 02/23/2006 |
| 1.01 | new template applied | 02/15/2012 |
| 1.02 | updated housings | 04/12/2012 |
| 1.03 | corrected center pin positioning on SD-80 | 09/13/2013 |
| 1.04 | updated datasheet | 05/22/2017 |
| 1.05 | updated datasheet | 10/16/2018 |
| 1.06 | brand update | 02/19/2020 |
| 1.07 | logo, datasheet style update | 08/05/2022 |
| 1.08 | discontinued model SD-30 | 09/26/2022 |
| 1.09 | discontinued model SD-70 | 01/10/2023 |
| 1.10 | discontinued model SD-81 | 02/08/2023 |
| 1.11 | discontinued model SD-130 | 04/19/2023 |

The revision history provided is for informational purposes only and is believed to be accurate.



CUI Devices offers a one (1) year limited warranty. Complete warranty information is listed on our website.

CUI Devices reserves the right to make changes to the product at any time without notice. Information provided by CUI Devices is believed to be accurate and reliable. However, no responsibility is assumed by CUI Devices for its use, nor for any infringements of patents or other rights of third parties which may result from its use.

CUI Devices products are not authorized or warranted for use as critical components in equipment that requires an extremely high level of reliability. A critical component is any component of a life support device or system whose failure to perform can be reasonably expected to cause the failure of the life support device or system, or to affect its safety or effectiveness.

cuidevices.com