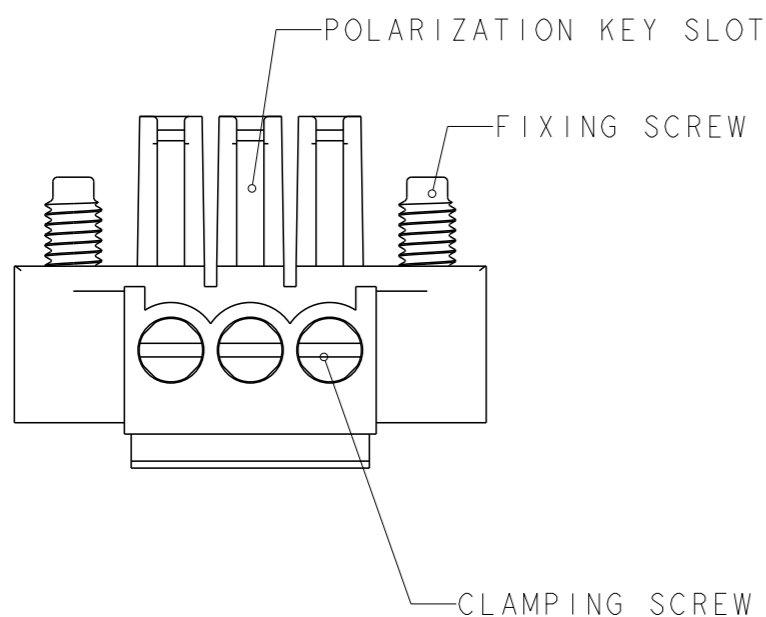
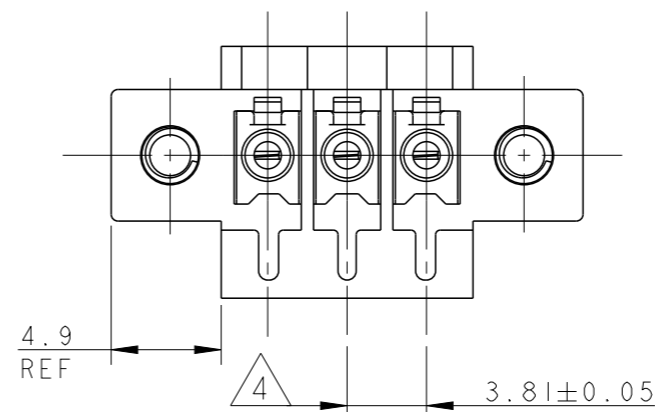
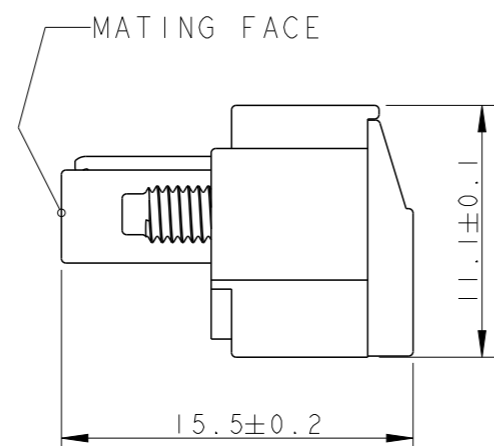
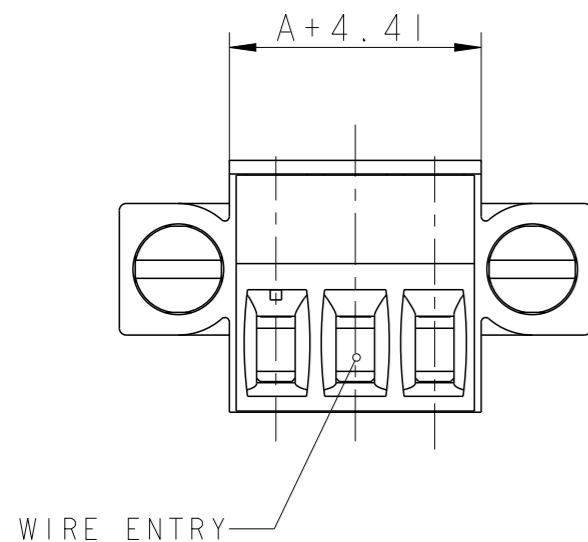


P	LTR	DESCRIPTION	DATE	DWN	APVD
B1		REVISED PER ECO-11-005009	12MAR2011	HMR	CR
B2		UPATING THE NOTE	26JUN2023	SP	PS



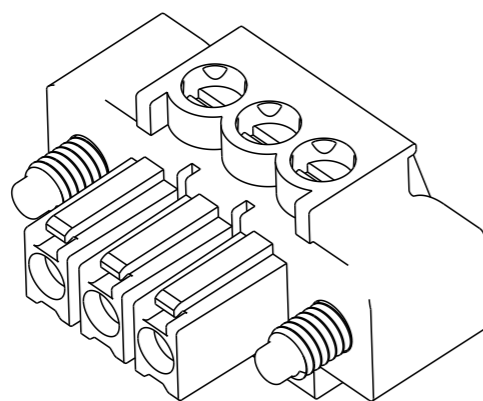
1. MATERIALS AND FINISH
 HOUSING : PA 66, UL 94-V0, COLOR GREEN
 CAGE: COPPER ALLOY , NICKEL PLATED
 CONTACT - COPPER ALLOY , TIN PLATED
 CLAMPING SCREW - M2 , COPPERY ALLOY , NICKEL PLATED

2. FLANGES WITH M2.5 FIXING SCREWS
3. MECHANICAL:
 RECOMMENDED TIGHTENING TORQUE : 0.2 Nm
 WIRE STRIPPING LENGTH : 6 mm

4. NOT CUMULATIVE TOLERANCE

5. ELECTRICAL:
 WIRE RANGE : 30-14 AWG (0.05 + 1.5 mm²)
 RATED VOLTAGE : 300V
 RATED CURRENT : 11A
 CONTACT RESISTANCE : <15 m Ohm
 INSULATION RESISTANCE : >1000 M Ohm (500V DC)
6. OPERATING TEMPERATURE RANGE : -40°C TO +105°C

83.82	23	2-284511-3
80.01	22	2-284511-2
76.20	21	2-284511-1
72.39	20	2-284511-0
68.58	19	1-284511-9
64.77	18	1-284511-8
60.96	17	1-284511-7
57.15	16	1-284511-6
53.34	15	1-284511-5
49.53	14	1-284511-4
45.72	13	1-284511-3
41.91	12	1-284511-2
38.10	11	1-284511-1
34.29	10	1-284511-0
30.48	9	284511-9
26.67	8	284511-8
22.86	7	284511-7
19.05	6	284511-6
15.24	5	284511-5
11.43	4	284511-4
7.62	3	284511-3
3.81	2	284511-2
DIM A	NO OF POS	PART NUMBER



284511-3 AS SHOWN

THIS DRAWING IS A CONTROLLED DOCUMENT.

DIMENSIONS:	TOLERANCES UNLESS OTHERWISE SPECIFIED:
mm	
	0 PLC ±-
	1 PLC ±.3
	2 PLC ±.25
	3 PLC ±-
	4 PLC ±-
	ANGLES ±-
	±2
MATERIAL	FINISH

DWN	06FEB2002
E. ZANOLINI	
CHK	06FEB2002
E. ZANOLINI	
APVD	06FEB2002
D. BIEVENOUR	
PRODUCT SPEC	108-20166
APPLICATION SPEC	114-20079
WEIGHT	-
CUSTOMER DRAWING	



NAME
 TERMINAL BLOCK, PLUG
 WITH SCREW FLANGE
 3.81mm PITCH

SIZE	CAGE CODE	DRAWING NO	RESTRICTED TO
A300779	C-284511		-
SCALE	SHEET	OF	REV
3:1	1	1	B2