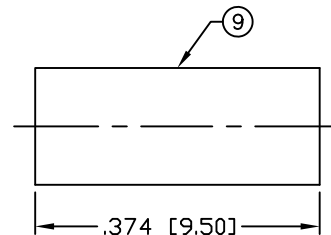
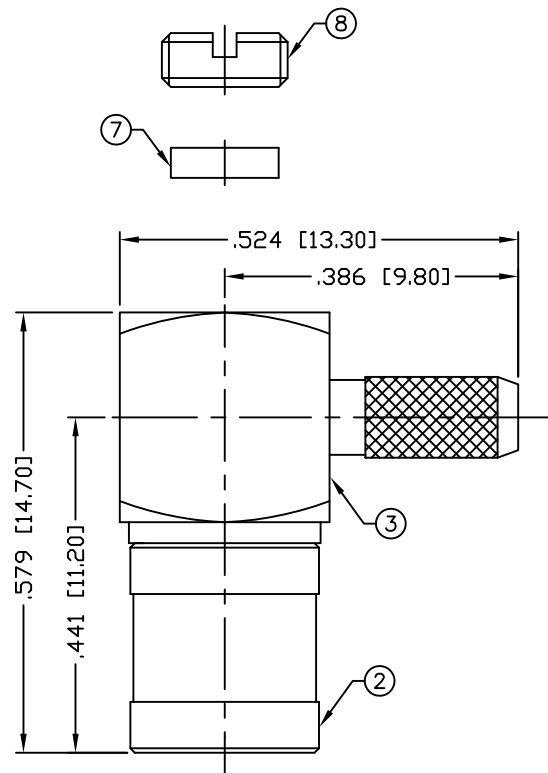


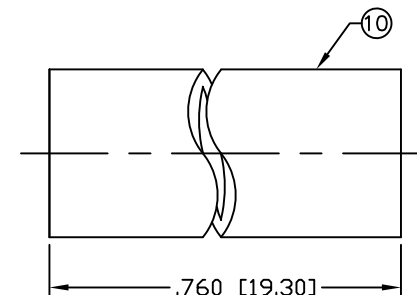
PART NO.

**RSB-4010-1B1**

REV	DESCRIPTION	DWN	DATE	APPROVED
-	ENGINEERING RELEASE	CZS	10/10/13	JDMc

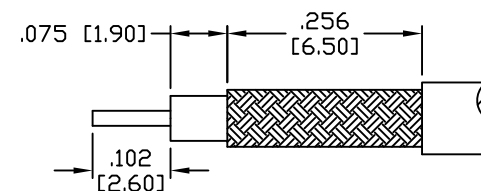


RECOMMENDED CRIMP SIZE: .130"

**SPECIFICATIONS:**

IMPEDANCE: 50 Ohms  
 FREQUENCY RANGE: 0-4 GHz  
 WORKING VOLTAGE: 335 V rms Max. @ Sea Level  
 CONTACT RESISTANCE:  $\leq 6$  m Ohm  
 INSULATION RESISTANCE: 1k M Ohms min.  
 TEMPERATURE RANGE: -65°C TO 165°C  
 FOR RG-316/U DOUBLE SHIELD CABLE

NOTE: ATTACH CABLE TO CONNECTOR BY SOLDERING THE CABLE INNER CONDUCTOR TO THE CONTACT SLOT INSIDE THE CONNECTOR



RECOMMENDED STRIPPING DIMENSIONS

10	TUBING	1	HEAT SHRINK	---
9	FERRULE	1	BRASS	GOLD, 3 $\mu$ "
8	COVER	1	BRASS	GOLD, 3 $\mu$ "
7	INSULATOR	1	PE	---
6	RETAINING RING	1	Be.Cu.	---
5	CONTACT	1	Be.Cu.	GOLD, 30 $\mu$ "
4	INSULATOR	1	PTFE	---
3	BODY	1	BRASS	GOLD, 3 $\mu$ "
2	PRESS BODY	1	BRASS	GOLD, 3 $\mu$ "
1	COUPLING NUT	1	BRASS	GOLD, 3 $\mu$ "
#	DESCRIPTION	QTY	MATERIAL	FINISH

CUSTOMER  
OUTLINE DRAWINGALL DIMENSIONS  
ARE REFERENCE ONLYUNLESS OTHERWISE SPECIFIED:  
DIMENSIONS ARE IN INCHES  
AND [MILLIMETERS]

DRAWN	C. ZUNIGA	10/10/13
CHECKED		
ORJ DRAWN	C. ZUNIGA	3/21/03

**RoHS  
COMPLIANT**

PROPRIETARY AND CONFIDENTIAL  
THIS DRAWING CONTAINS  
INFORMATION PROPRIETARY TO  
RF INDUSTRIES, ANY  
UNAUTHORIZED USE OF THIS  
DRAWING IS EXPRESSLY  
PROHIBITED WITHOUT WRITTEN  
PERMISSION FROM RF  
INDUSTRIES. ANY VIOLATION IS  
PUNISHABLE UNDER U.S.  
COPYRIGHT LAWS.

7610 MIRAMAR RD.  
SAN DIEGO, CA 92126  
(858) 549-6340  
**RFconnectors**  
DIVISION OF RF INDUSTRIES, LTD. (858) 549-6345 FAX

**SMB PLUG, CRIMP**  
RIGHT ANGLE

SIZE	CABLE GROUP	DWG NO.	REV
A	B1	<b>RSB-4010-1B1</b>	—
SCALE:	ENGINEERING ID:	SHEET 1 OF 1	
NTS	1808		