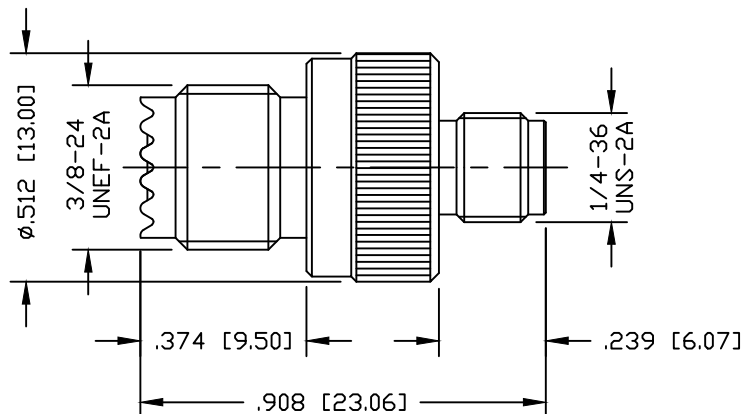


PART NO.

RFU-642

REV	DESCRIPTION	DWN	DATE	APPROVED
C	UPDATED DWG FORMAT & SPECS / UPGRADED CONN. DESIGN	CZS	06/12/17	JDMc

**SPECIFICATIONS:**

IMPEDANCE: 50 Ohms
 FREQUENCY RANGE: 0-2.5 GHz
 INSULATION RESISTANCE: 5k M Ohms min.
 TEMPERATURE RANGE: -65°C TO 165°C

5	PRESS BODY	1	BRASS	NICKEL, 100 μ "
4	INSULATOR	1	PTFE	----
3	CONTACT	1	PHOS. BRONZE	GOLD, 3 μ "
2	INSULATOR	1	PTFE	----
1	BODY	1	BRASS	NICKEL, 100 μ "
#	DESCRIPTION	QTY	MATERIAL	FINISH

CUSTOMER
OUTLINE DRAWINGALL DIMENSIONS
ARE REFERENCE ONLYUNLESS OTHERWISE SPECIFIED:
DIMENSIONS ARE IN INCHES
AND [MILLIMETERS]

DRAWN	C. ZUNIGA	06/12/17
CHECKED		
ORJ DRAWN	K. HARTMAN	7/12/93

**RoHS
COMPLIANT**

PROPRIETARY AND CONFIDENTIAL
 THIS DRAWING CONTAINS
 INFORMATION PROPRIETARY TO
 RF INDUSTRIES. ANY
 UNAUTHORIZED USE OF THIS
 DRAWING IS EXPRESSLY
 PROHIBITED WITHOUT WRITTEN
 PERMISSION FROM RF
 INDUSTRIES. ANY VIOLATION IS
 PUNISHABLE UNDER U.S.
 COPYRIGHT LAWS.

RFconnectors

RFINDUSTRIES.COM
 7610 MIRAMAR RD.
 SAN DIEGO, CA 92126
 (858) 549-6340
 (858) 549-6345 FAX

**MOTOROLA SMA JACK TO
MINI-UHF JACK ADAPTOR**

SIZE	CABLE GROUP	DWG NO.	REV
A	N/A	RFU-642	C
SCALE:	ENGINEERING ID:	SHEET 1 OF 1	
NTS	000000		