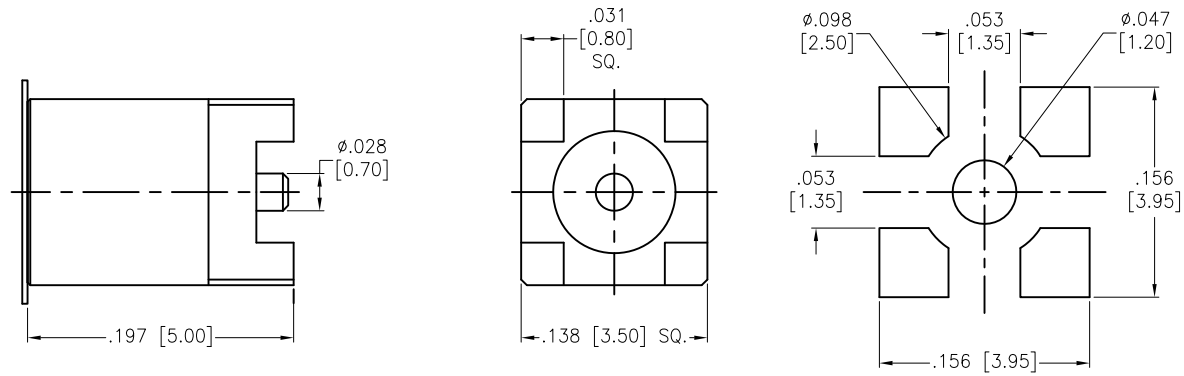


6	5	4	3	2	1		
APPROVED: _____			Rev	AWO #	Description	Date	Appr
DATE: _____ TITLE: _____			-		RELEASED	5/12/16	



RECOMMENDED PCB LAYOUT

COVER TAPE	PI	AMBER
CONTACT PIN	BERYLLIUM COPPER	GOLD
INSULATOR	PTFE	WHITE
BODY	BRASS	GOLD
ITEM NAME	MATERIAL	FINISH

SPECIFICATIONS:
 Electrical:
 Nominal Impedance: 50 Ohms
 Frequency range: DC-6 GHz
 Working Voltage: 170 V max
 Proof Voltage: 500 V
 Temperature Rating:
 Operating temperature: -55°C to +155°C
 Environmental:
 Lead free, RoHS compliant.



UNLESS OTHERWISE SPECIFIED ALL DIMENSIONS ARE INCHES [MM] TOLERANCES: EXCEPT AS NOTED INCHES HOLES		
.X ± .10	Ø.X ± .10	
.XX ± .020	Ø.XX ± .015	
.XXX ± .015	Ø.XXX ± .010	
APPROVALS		DATE
DRAWN	HR	5/12/16
CHECKED	LW	5/12/16
APPROVED		

ADAM TECH
 909 Rahway Avenue, Union, NJ 07083
 Phone: 908-687-5000 Fax: 908-687-5710

TITLE RF CONNECTOR, TYPE MMCX ST. JACK, 50 OHM, SURFACE MOUNT		
SIZE X	PART NO. RF12-41-T-00-50-G	REV. -
REF: S00277T	SCALE: NTS	SHEET 1 OF 1