

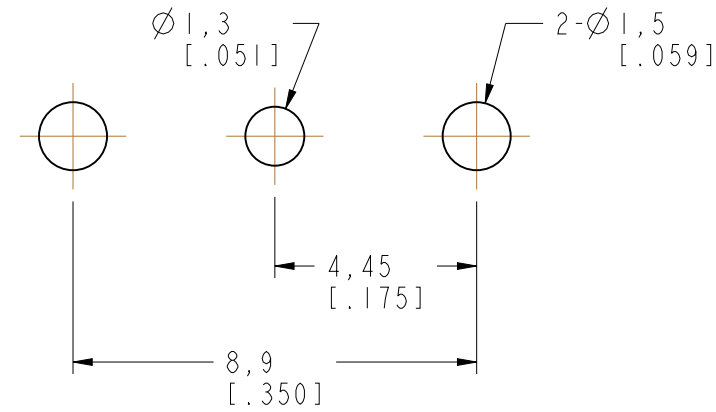
NOTES:

1. MATERIALS AND FINISHES:
 - LOCK RING - BRASS, NICKEL PLATING
 - BODY - BRASS, NICKEL PLATING
 - CONTACT - PHOSPHOR BRONZE, GOLD PLATING
 - INSULATOR - PTFE, NATURAL
2. ELECTRICAL:
 - A. IMPEDANCE: 75 OHM
 - B. FREQUENCY RANGE: 0-2 GHz
 - C. VSWR (RETURN LOSS): 1.300 (-17.7 dB) MAX.
 - D. D.W.V: 1500 VRMS, MIN.
3. MECHANICAL:
 - A. DURABILITY: 500 CYCLES MIN.
 - B. TEMPERATURE RANGE: -65°C TO +165°C

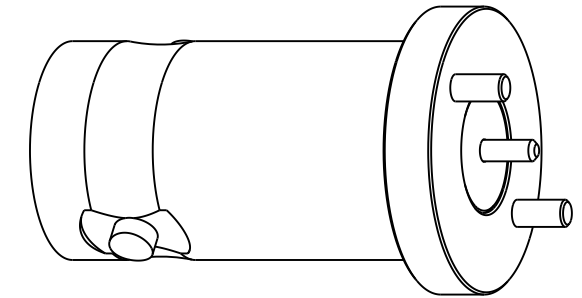
THIRD ANGLE PROJ.

REVISIONS

REV	DESCRIPTION	DATE	ECO	APPR
A	RELEASE TO MFG.	01-Sep-05	-----	GW
B	THE BODY WAS CHANGED \RD-DMI5042901S2	13-May-15	-----	SH
C	ADDED PART NO. \N/A	17-Jun-15	50602	SH

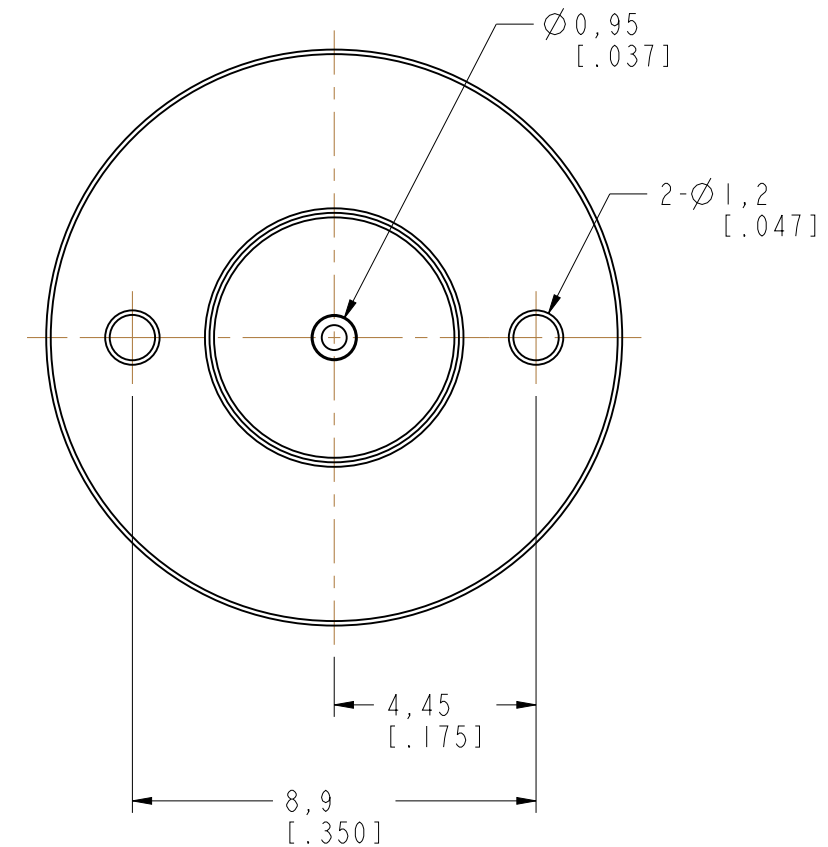
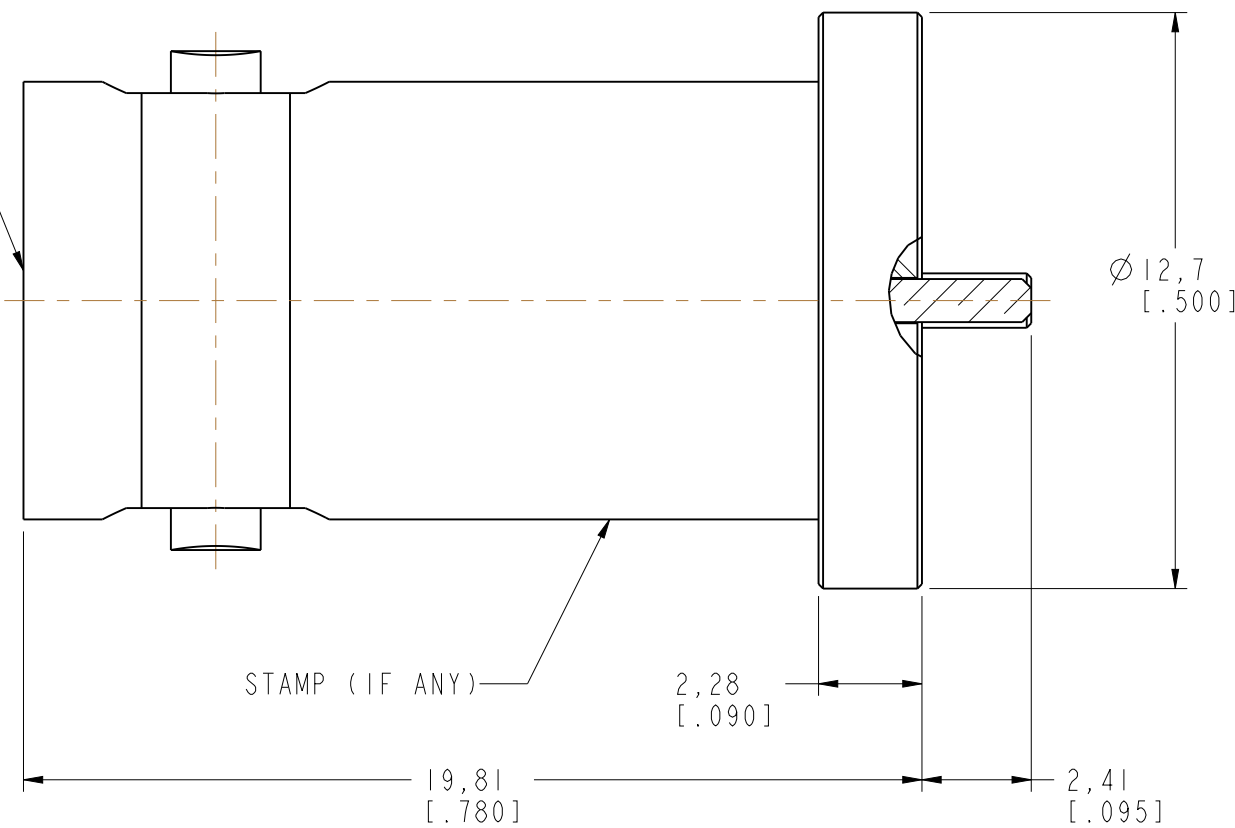


PCB MOUNTING HOLE



SCALE 3.000

INTERFACE PER
MIL-STD-348
SERIES: BNC JACK



CUSTOMER OUTLINE DRAWING

ALL OTHER SHEETS ARE FOR INTERNAL USE ONLY

UNLESS OTHERWISE SPECIFIED, DIMENSIONS ARE IN METRIC AND TOLERANCES ARE:
 <0.5mm ±0.05mm 0.5 - 6mm ±0.1mm 6 - 30mm ±0.2mm 30 - 120mm ±0.3mm ANGLES ±1°

NOTICE - These drawings, specifications, or other data (1) are, and remain the property of Amphenol corp. (2) must be returned upon request; and (3) are confidential and not to be disclosed to any person other than those to whom they are given by Amphenol Corp. the furnishing of these drawings, specifications, or other data by Amphenol Corp., or to any other person to anyone for any purpose is not to be regarded by implication or otherwise in any manner licensing, granting rights to permitting such holder or any other person to manufacture, use or sell any product, process or design, patented or otherwise, that may in any way be related to or disclosed by said drawings, specifications, or other data.

MATERIAL	DRAWN M.ZHANG	DATE 11-Jun-15	TITLE BNC P.C. MOUNT RECEPT. JACK - 75 ohm, .095" CENTER CONTACT/2-LEGS	Amphenol RF www.amphenolrf.com
REFERENCE AND CONFIGURATION LEVEL: In Work	ENGINEER S.HSIEH	DATE 01-Sep-05	SCALE: 6.0:1.0 SHEET 2 OF 2	DRAWING NO. B6251CI-012-NT3G-75
FINISH	APPROVED S.HSIEH	DATE 11-Jun-15	DWG SIZE B	ITEM NO. 016251ACJAINA7F
	CAD FILE		REV C	PART NO. 112405-10-2