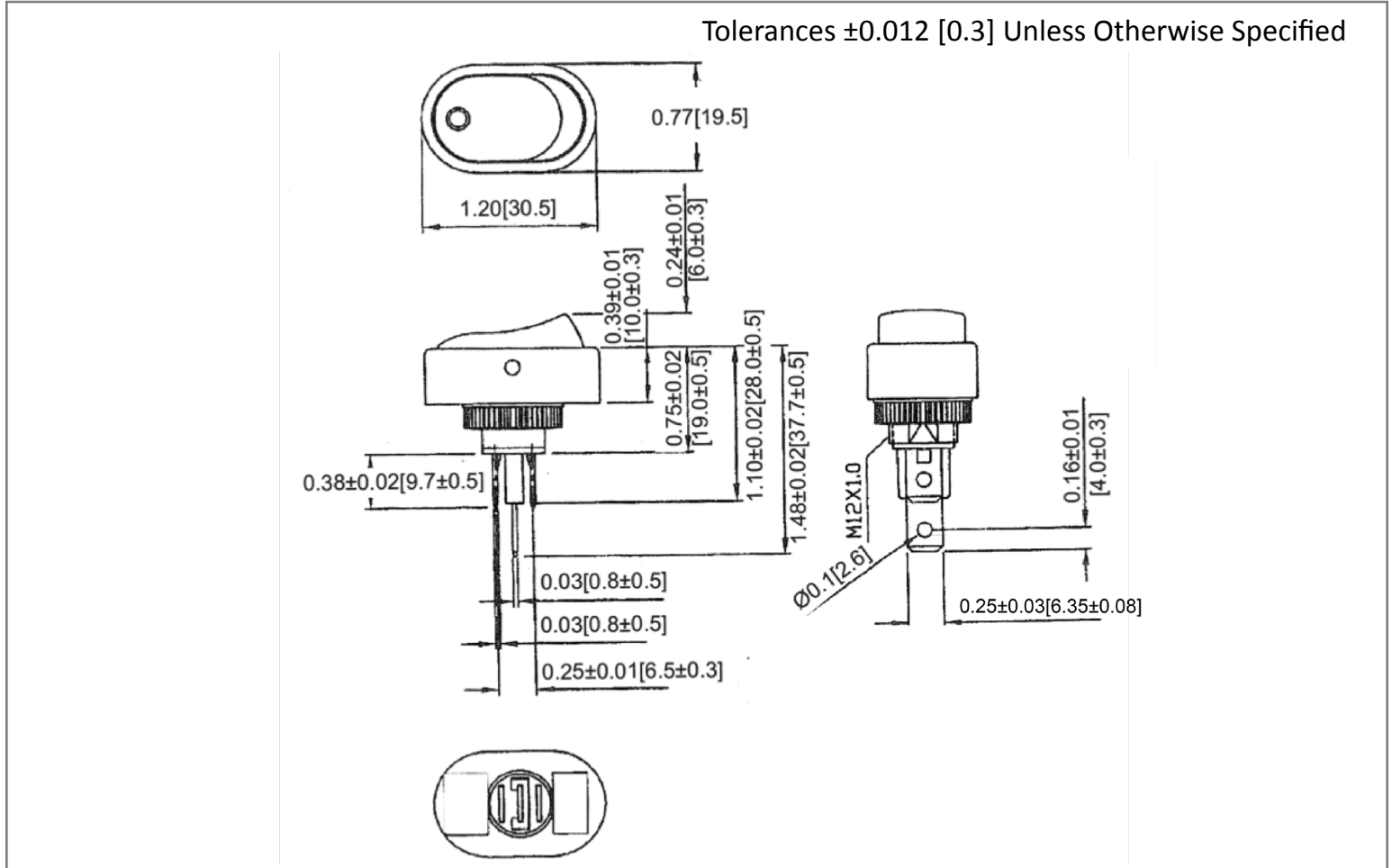
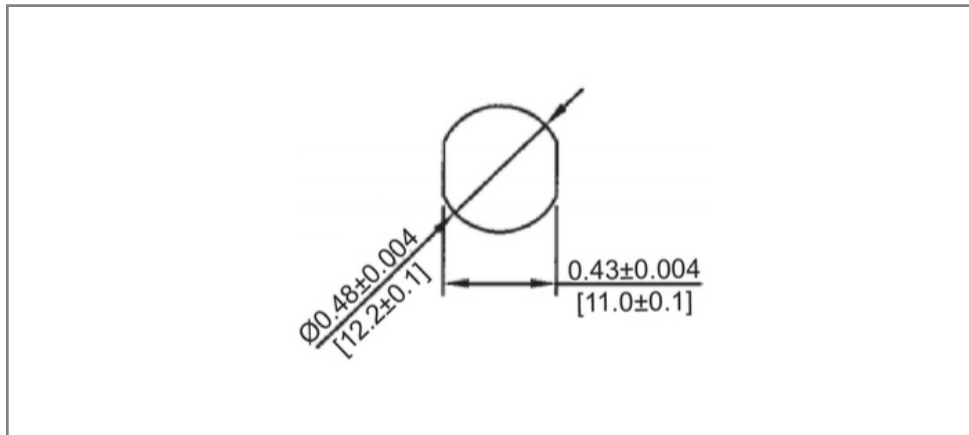


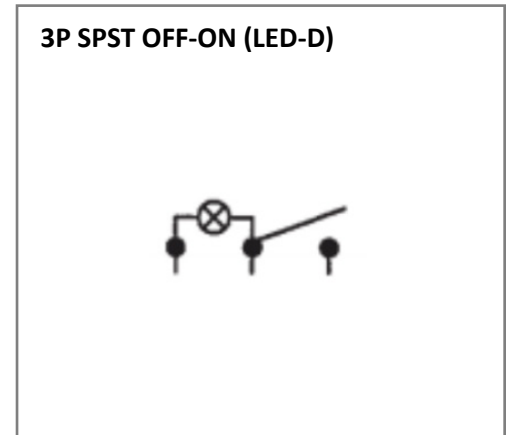
Mechanical Dimensions: Inches [mm]



Mounting Hole



Circuit Diagram



Electrical Specifications

Rating	30A 12V DC	Frame	Black, Nylon 66
Contact Resistance	50m ohm Max	Actuator	Black, Nylon 66
Insulation Resistance	DC 500V 100M ohm Min.	LED	Red (Dependent)
Dielectric Strength	AC 1500V 1 minute		
Operation Temperature	-25°C~85°C		

Rev	Date of issue	Revision Notes	Designed	Approved
B	09-22-2023	Update Drawing	RC	OF