



AirPrime RC76xx

Product Technical Specification



SIERRA
WIRELESS®

41113440
Rev 2.2

Important Notice

Due to the nature of wireless communications, transmission and reception of data can never be guaranteed. Data may be delayed, corrupted (i.e., have errors) or be totally lost. Although significant delays or losses of data are rare when wireless devices such as the Sierra Wireless modem are used in a normal manner with a well-constructed network, the Sierra Wireless modem should not be used in situations where failure to transmit or receive data could result in damage of any kind to the user or any other party, including but not limited to personal injury, death, or loss of property. Sierra Wireless accepts no responsibility for damages of any kind resulting from delays or errors in data transmitted or received using the Sierra Wireless modem, or for failure of the Sierra Wireless modem to transmit or receive such data.

Safety and Hazards

Do not operate the Sierra Wireless modem in areas where blasting is in progress, where explosive atmospheres may be present, near medical equipment, near life support equipment, or any equipment which may be susceptible to any form of radio interference. In such areas, the Sierra Wireless modem **MUST BE IN AIRPLANE MODE OR POWERED OFF**. The Sierra Wireless modem can transmit signals that could interfere with this equipment.

Do not operate the Sierra Wireless modem in any aircraft, whether the aircraft is on the ground or in flight. In aircraft, the Sierra Wireless modem **MUST BE IN AIRPLANE MODE OR POWERED OFF**. When operating, the Sierra Wireless modem can transmit signals that could interfere with various onboard systems.

Note: Some airlines may permit the use of cellular phones while the aircraft is on the ground and the door is open. Sierra Wireless modems may be used at this time.

The driver or operator of any vehicle should not operate the Sierra Wireless modem while in control of a vehicle. Doing so will detract from the driver or operator's control and operation of that vehicle. In some states and provinces, operating such communications devices while in control of a vehicle is an offence.

Limitation of Liability

The information in this manual is subject to change without notice and does not represent a commitment on the part of Sierra Wireless. SIERRA WIRELESS AND ITS AFFILIATES SPECIFICALLY DISCLAIM LIABILITY FOR ANY AND ALL DIRECT, INDIRECT, SPECIAL, GENERAL, INCIDENTAL, CONSEQUENTIAL, PUNITIVE OR EXEMPLARY DAMAGES INCLUDING, BUT NOT LIMITED TO, LOSS OF PROFITS OR REVENUE OR ANTICIPATED PROFITS OR REVENUE ARISING OUT OF THE USE OR INABILITY TO USE ANY SIERRA WIRELESS PRODUCT, EVEN IF SIERRA WIRELESS AND/OR ITS AFFILIATES HAS BEEN ADVISED OF THE POSSIBILITY OF SUCH DAMAGES OR THEY ARE FORESEEABLE OR FOR CLAIMS BY ANY THIRD PARTY.

Notwithstanding the foregoing, in no event shall Sierra Wireless and/or its affiliates aggregate liability arising under or in connection with the Sierra Wireless product, regardless of the number of events, occurrences, or claims giving rise to liability, be in excess of the price paid by the purchaser for the Sierra Wireless product.

Patents

This product may contain technology developed by or for Sierra Wireless Inc. This product is manufactured or sold by Sierra Wireless Inc. or its affiliates under one or more patents licensed from MMP Portfolio Licensing.

Copyright

©2020 Sierra Wireless. All rights reserved.

Trademarks

Sierra Wireless[®], AirPrime[®], AirLink[®], AirVantage[®] and the Sierra Wireless logo are registered trademarks of Sierra Wireless, Inc.

Windows[®] and Windows Vista[®] are registered trademarks of Microsoft Corporation.

QUALCOMM[®] is a registered trademark of QUALCOMM Incorporated. Used under license.

Other trademarks are the property of their respective owners.

Contact Information

Sales information and technical support, including warranty and returns	Web: sierrawireless.com/company/contact-us/ Global toll-free number: 1-877-687-7795 6:00 am to 5:00 pm PST
Corporate and product information	Web: sierrawireless.com

Revision History

Revision Number	Release Date	Changes
1.0	November 08, 2019	Creation
2.0	January 03, 2020	Baseband and other software-related modifications
2.1	January 22, 2020	<ul style="list-style-type: none"> Modify the current consumption from 15uA to TBD Added FCC ID
2.2	February 05, 2020	<ul style="list-style-type: none"> Updated Transmit Band and Receive Band columns in Table 1-3 on page 17 Removed SDIO information Changed PSM mode values to TBD on Table 3-9 on page 36

>> Contents

1: Introduction	15
1.1 General Features	15
1.2 Interfaces	18
1.3 Common Flexible Form Factor (CF3)	18
1.4 Physical Dimensions and Connection Interface	19
2: Functional Specifications	21
2.1 Architecture	21
2.2 Telecom Features	22
2.2.1 Network Technology Specifications	23
2.2.2 Modem Specifications	24
2.3 Multi-Core Processing Capabilities	24
3: Technical Specifications	25
3.1 Environmental	25
3.2 Power Supply Ratings	25
3.2.1 Under-Voltage Lockout (UVLO)	27
3.2.2 Power Consumption States	28
3.2.3 Power Saving Mode (PSM)	31
3.2.4 Active State to PSM Transition	33
3.2.5 Extended Discontinuous Reception (eDRX)	34
3.2.6 Current Consumption	36
3.3 RF	37
3.3.1 Supported RF Bands	37
3.3.2 LTE RF Interface	38
3.3.3 WWAN Antenna Interface	39
3.4 GNSS	42
3.4.1 Characteristics	42
3.4.2 Antenna Interface	43
3.4.3 Antenna Recommendations	43

3.5 Electrical Specifications	45
3.5.1 Absolute Maximum Ratings	45
3.5.2 Digital I/O Characteristics	46
3.5.3 Internal Device Frequencies	48
3.6 Processing	49
3.6.1 Application Core	49
3.6.2 Embedded Memory	49
3.6.3 Recovery Mechanism	52
3.6.4 Secure Boot / Secure Debug	52
3.7 Mechanical Drawing	53
3.8 Mechanical Specifications	54
4: Interfaces Specification	55
4.1 POWER_ON_N	55
4.1.1 Power-up Sequence	55
4.1.2 Software-Initiated Power Down	56
4.2 Emergency Power Off	57
4.3 POWER_ON_N, RESET_IN_N and AT!POWERDOWN Use Cases	57
4.4 Tx Power Control	58
4.5 USB	58
4.6 UART	59
4.7 UIM Interface	60
4.7.1 External UIM1 Interface	60
4.7.2 eSIM / UIM2 Interface	61
4.7.3 External SIM Switch Configuration	62
4.8 General Purpose Input/Output (GPIO)	63
4.9 GPIO6	64
4.9.1 General Purpose Input / Output	64
4.9.2 SIM Switching	64
4.9.3 Reset Out	64
4.10 Wakeup Interrupt (Sleep State)	65
4.11 Wakeup Events (PSM)	65

4.12 I2C Interface	65
4.12.1 Application	66
4.13 VGPIO	66
4.14 Reset Signal (RESET_IN_N)	68
4.15 ADC	69
4.16 Digital Audio	69
4.16.1 PCM	70
4.16.2 I2S	72
4.17 SPI Bus	73
4.17.1 Configuration	74
4.17.2 Waveforms	74
4.17.3 Application	75
4.18 Clock	75
4.19 TP1 (Boot Pin)	75
4.20 Temperature Monitoring	76
4.21 Test Pins	77
4.22 Antenna Control	78
4.23 Indication Interfaces	78
4.23.1 Tx Activity Indicator (TX_ON)	79
4.23.2 WWAN_LED_N	79
4.23.3 WAKE_ON_WWAN	80
4.23.4 Ring Indicator	80
4.23.5 SAFE_PWR_REMOVE	81
4.23.6 UIM1_DET	81
4.24 DR_SYNC	81
4.25 W_DISABLE_N—Wireless Disable	81
5: Routing Constraints and Recommendations	83
5.1 General Rules and Recommendations	83
5.2 Power Supply	83
5.3 Antenna	83
5.3.1 OTA Considerations when Developing Products that Include an Integrated Antenna	

84	
5.4 PCB Layout Recommendations	84
5.4.1 General Design Rules	84
5.4.2 Specific Design Rules to Support TRP Performances	85
5.4.3 Specific Design Rules to Support TIS Performance	85
5.5 PCB Specifications for the Application Board	85
5.6 Recommended PCB Land Pattern	86
5.7 Routing Constraints	86
5.7.1 Power Supply	86
5.7.2 UIM Interface	87
5.7.3 RF Circuit	87
5.7.4 USB Interface	88
5.8 Thermal Considerations	89
5.9 EMC and ESD Recommendations	89
5.10 Mechanical Integration	90
5.11 Signal Reference Schematics	90
6: Software and Tools	92
6.1 Support Tools	92
6.2 SED (Smart Error Detection)	92
6.3 Firmware Upgrade	92
6.4 Operating System Upgrade	92
6.5 Product Marking	93
7: Debug and Assembly Considerations	94
7.1 Testing Assistance Provided by Sierra Wireless	94
7.2 Integration Requirements	94
7.3 IOT/Operator	94
7.4 Module Testing Recommendations	94
7.5 Serial Link Access	95
7.6 RF Output Accessibility	95

- 8: Reliability Specification 97**
 - 8.1 Reliability Compliance 97
 - 8.2 Reliability Prediction Model 97
 - 8.2.1 Life Stress Test 97
 - 8.2.2 Environmental Resistance Stress Tests 98
 - 8.2.3 Corrosive Resistance Stress Tests 98
 - 8.2.4 Thermal Resistance Cycle Stress Tests 99
 - 8.2.5 Mechanical Resistance Stress Tests 100
 - 8.2.6 Handling Resistance Stress Tests 102

- 9: Approval 103**
 - 9.1 Disposing of the Product 103
 - 9.2 Important Notice 103
 - 9.3 Safety and Hazards 103
 - 9.4 Compliance Acceptance and Certification 104
 - 9.5 Certification Compliance 104
 - 9.5.1 Important Compliance Information for North American Users 104

- 10: Pinout 106**
 - 10.1 Pin Configuration 106
 - 10.2 Pin Description 107

- 11: Customization 115**

- 12: Testing 116**
 - 12.1 Certification Testing 116
 - 12.2 Production Testing 116
 - 12.3 Functional Production Test 117
 - 12.3.1 Suggested Production Tests 117
 - 12.3.2 Production Test Procedure 117
 - 12.4 LTE RF Transmission Path Test 119
 - 12.5 LTE RF Receive Path Test 122

12.6 GNSS RF Receive Path Test	123
13: References	125
13.1 Web Site Support	125
13.2 Reference Documents	125
14: Abbreviations	126

>> | List of Figures

Figure 1-1: Mechanical Overview	19
Figure 2-1: Architecture Overview	21
Figure 3-1: Power Supply Characteristics	27
Figure 3-2: Under-Voltage Lockout (UVLO) Diagram	27
Figure 3-3: Power State Transitions	30
Figure 3-4: PSM Example (Simplified).	31
Figure 3-5: eDRX Example (Simplified).	34
Figure 3-6: Flash Memory Partitions	51
Figure 3-7: Mechanical Drawing	53
Figure 4-1: Signal Timing (POWER_ON_N, and USB Enumeration)	56
Figure 4-2: Recommended UIM Holder Implementation	61
Figure 4-3: Single External SIM Configuration.	62
Figure 4-4: Dual External SIM Configuration	62
Figure 4-5: Example of I2C Bus Application	66
Figure 4-6: Illustration of Reset Timing When RESET_IN_N < Trdel	68
Figure 4-7: PCM_SYNC Timing Diagram (2048 kHz clock)	71
Figure 4-8: PCM Codec to Device Timing Diagram.	72
Figure 4-9: Device to PCM Codec Timing Diagram.	72
Figure 4-10: I2S Transmitter Timing	72
Figure 4-11: 4-Wire Configuration SPI Transfer	74
Figure 4-12: Example of 4-wire SPI Bus Application	75
Figure 4-13: Temperature Monitoring State Machine	76
Figure 4-14: TX_ON State During Transmission	79
Figure 4-15: LED Reference Circuit.	80
Figure 4-16: Recommended WAKE_ON_WWAN Connection	80
Figure 4-17: Recommended Wireless Disable Connection	82
Figure 5-1: Power Supply Routing Example	86
Figure 5-2: Module Location on Development Board	88
Figure 5-3: Development Board RF Trace Design.	88
Figure 5-4: UIM Interface	90

Figure 5-5: USB Interface	91
Figure 5-6: USB OTG Interface.	91
Figure 6-1: Unit Product Marking—Laser-etched, Typical Representation	93
Figure 7-1: Level Shifter Implementation for UART1 Serial Link Access	95
Figure 10-1: Pin Configuration (Top View, Through Module)	106

>> | List of Tables

Table 1-1: Supported Networks and Voice Capability	15
Table 1-2: RC7611 and RC7611-1 Supported Bands/Connectivity	16
Table 1-3: RC7620 and RC7620-1 Supported Bands/Connectivity	17
Table 1-4: Module Dimensions	19
Table 1-5: LGA Pad Types	19
Table 2-1: Module Capabilities	22
Table 2-2: Supported LTE Specifications	23
Table 2-3: Supported Modem Specifications	24
Table 3-1: Environmental Specifications	25
Table 3-2: Power Supply Pins	26
Table 3-3: Operating Conditions	26
Table 3-4: UVLO Specifications	27
Table 3-5: Supported Power States	28
Table 3-6: PSM Wakeup Sources	29
Table 3-7: PSM-Related Application User Commands/Interfaces	32
Table 3-8: eDRX-Related Commands	34
Table 3-9: Current Consumption Values	36
Table 3-10: Supported RF bands	37
Table 3-11: Conducted Tx Max Output Power Tolerances	38
Table 3-12: Conducted Rx Sensitivity	39
Table 3-13: WWAN Antenna Interface Pins	39
Table 3-14: Antenna Recommendations	40
Table 3-15: GNSS Characteristics	42
Table 3-16: GNSS Antenna Interface Pads	43
Table 3-17: GNSS Standalone Antenna Recommendations	43
Table 3-18: Absolute Maximum Ratings	45
Table 3-19: Digital I/O Characteristics (VDD_PX=1.20 V (nominal))	46
Table 3-20: Digital I/O Characteristics (VDD_PX=1.80 V (nominal) signals)	46
Table 3-21: GPIO8 and GPOIO28 Digital I/O Characteristics (VDD_PX=1.80 V (nominal) signals)	47

Table 3-22: Digital I/O Characteristics (Dual-voltage—VDD_PX=1.80 V or 2.85 V (nominal))	47
Table 3-23: Internal Device Frequencies	48
Table 3-24: Embedded Memory Details	49
Table 3-25: Mechanical Specifications	54
Table 4-1: POWER_ON_N Electrical Characteristics	55
Table 4-2: POWER_ON_N Timing Parameters	56
Table 4-3: POWER_ON_N, RESET_IN_N and AT!POWERDOWN Use Cases	57
Table 4-4: USB Pin Descriptions	58
Table 4-5: UART Pins	59
Table 4-6: UIM1 Interface Pins	60
Table 4-7: GPIO Pin Description	63
Table 4-8: PSM Wakeup Signals/Sources	65
Table 4-9: I2C Interface Pins	66
Table 4-10: VGPIO Reference Pin	66
Table 4-11: VGPIO Electrical Characteristics	67
Table 4-12: RESET_IN_N Pin	68
Table 4-13: Reset Timing	68
Table 4-14: ADC Interface Pins	69
Table 4-15: ADC Interface Characteristics	69
Table 4-16: PCM/I2S Interface Signals	69
Table 4-17: PCM Interface Configurations	70
Table 4-18: PCM Mode Timing	71
Table 4-19: I2S Interface Timing	73
Table 4-20: SPI Pin Descriptions	73
Table 4-21: SPI Configuration	74
Table 4-22: SPI Master Timing Characteristics (@38 MHz)	74
Table 4-23: Clock Interface Pin Descriptions	75
Table 4-24: TP1 Pin Description	76
Table 4-25: Temperature Monitoring States	77

Table 4-26: Test Pin Descriptions	77
Table 4-27: Antenna Control Signals	78
Table 4-28: Tx Activity Indicator States.	79
Table 4-29: Tx Activity Indicator Characteristics.	79
Table 4-30: LED Interface Pin.	79
Table 4-31: UART1_RI Pin	80
Table 4-32: DR_SYNC Pin Details	81
Table 5-1: ESD Specifications.	90
Table 8-1: Standards Conformity	97
Table 8-2: Life Stress Test	97
Table 8-3: Environmental Resistance Stress Tests	98
Table 8-4: Corrosive Resistance Stress Tests	98
Table 8-5: Thermal Resistance Cycle Stress Tests	99
Table 8-6: Mechanical Resistance Stress Tests.	100
Table 8-7: Handling Resistance Stress Tests	102
Table 9-1: Antenna Gain Specifications	104
Table 9-2: Collocated Radio Transmitter Specifications	105
Table 10-1: Pin Definitions	107
Table 10-2: RF Pin Information	114
Table 10-3: Supply Pin Information.	114
Table 10-4: Ground and Reserved Pin Information.	114
Table 11-1: Customizable Features	115
Table 12-1: Test Settings—LTE Transmission Path.	119
Table 12-2: Test Settings—LTE Receive Path.	122
Table 14-1: Acronyms and Definitions	126

>> 1: Introduction

This document defines the high-level product features and illustrates the interfaces for the AirPrime RC76xx Embedded Modules. It covers the hardware aspects of the product series, including electrical and mechanical.

Note: Throughout this document, references to RC7611 should be read as RC7611 and RC7611-1 unless variants are called out separately.

1.1 General Features

The AirPrime R76xx is an industrial-grade LGA 239-pad embedded module. Its wireless modem provides voice and data connectivity on the networks listed in [Table 1-1](#).

Table 1-1: Supported Networks and Voice Capability

Variant	Network	Network Voice Support	LTE Category
RC7611	LTE	VoLTE	Cat4
RC7611-1			Cat1
RC7620	LTE UMTS (DC-HSPA+, HSPA+, HSPA, WCDMA) GSM/GPRS/EDGE	Circuit switch voice + VoLTE	Cat4
RC7620-1			Cat1

To simplify cellular connectivity, the AirPrime RC76xx has been designed to support Ready-To-Connect, and an embedded SIM (eSIM) has been natively designed in the module for this purpose. To learn more about Ready-To-Connect capabilities and to know which variant already supports this feature, please get in touch with your Sierra Wireless sales representative.

GNSS functionality is available as a SKU-dependent feature.

In addition to modem features, the AirPrime RC76xx embeds several cores for maximum flexibility and security for embedded software execution, including:

- A Telecom Core that natively manages 4G modem features
- An Application Core dedicated to customer applications, natively provided with Legato Application framework.

The following tables detail supported RF bands/connectivity.

Table 1-2: RC7611 and RC7611-1 Supported Bands/Connectivity

Technology	RF Band ^{b c}		Transmit Band (Tx) (MHz)	Receive Band (Rx) (MHz)	Maximum Output Power	Notes
LTE	B2 ^b	B2 ^c	1850–1910	1930–1990	23 dBm ± 1 dB; Class 3	MIMO ^a and diversity
	B4 ^b	B4 ^c	1710–1755	2110–2155		
	B5 ^b	B5 ^c	824–849	869–894		
	B12 ^b	B12 ^c	699–716	729–746		
	B13 ^b	B13 ^c	777–787	746–756		
	B14 ^b	B14 ^c	788–798	758–768		
	B25 ^b	B25 ^c	1850–1915	1930–1995		
	B26 ^b	B26 ^c	814–849	859–894		
	B66 ^b	B66 ^c	1710–1780	2110–2200		
	B71 ^b	B71 ^c	663–698	617–652		
GNSS ^d	GPS					
	GLONASS					
	Galileo					
	BeiDou					

- a. Downlink MIMO 2x2
- b. RC7611 RF Band, Cat4 variant
- c. RC7611-1 RF Band, Cat1 variant
- d. GNSS support is SKU-dependent.

Table 1-3: RC7620 and RC7620-1 Supported Bands/Connectivity

Technology	RF Band ^{a b}		Transmit Band (Tx) (MHz)	Receive Band (Rx) (MHz)	Maximum Output Power	Notes
LTE	B1 ^a	B1 ^b	1920–1980	2110–2170	23 dBm ± 1 dB; Class 3	MIMO ^c and diversity
	B3 ^a	B3 ^b	1710–1785	1805–1880		
	B7 ^a	B7 ^b	2500–2570	2620–2690		
	B8 ^a	B8 ^b	880–915	925–960		
	B20 ^a	B20 ^b	832–862	791–821		
	B28 ^a	B28 ^b	703–748	758–803		
UMTS	B1		1920 – 1980	2110–2170		
	B8		880–915	925–960		
GSM/GPRS/ EDGE	E-GSM 900		880–915	925–960	33 dBm ± 1 dB; GMSK mode Power Class 4	
	DCS 1800		1710–1785	1805–1880	27 dBm ± 1 dB; 8PSK mode Power Class E2	
GNSS ^d	GPS					
	GLONASS					
	Galileo					
	BeiDou					

- a. RC7620 RF Band, Cat4 variant
- b. RC7620-1 RF Band, Cat1 variant
- c. Downlink MIMO 2x2
- d. GNSS support is SKU-dependent.

1.2 Interfaces

The AirPrime RC76xx provides the following interfaces and peripheral connectivity:

- Digital section running under 1.8V
- UIM interface — See [UIM Interface on page 60](#).
 - eSIM — See [eSIM / UIM2 Interface on page 61](#).
- VBAT_RF/VBAT_BB power supply — See [Power Supply Ratings on page 25](#).
- RF — See [RF on page 37](#).
- GNSS (RF_GNSS) — See [GNSS on page 42](#).
- ON/OFF control:
 - POWER_ON_N — See [POWER_ON_N on page 55](#).
 - RESET_IN_N — See [Reset Signal \(RESET_IN_N\) on page 68](#).
- USB 2.0 — See [USB on page 58](#).
- UART serial links — See [UART on page 59](#).
- GPIOs — See [General Purpose Input/Output \(GPIO\) on page 63](#).
- I²C — See [I2C Interface on page 65](#).
- 1.8V voltage reference — See [VGPIO on page 66](#).
- ADCs — See [ADC on page 69](#).
- Digital audio (PCM/I²S) — See [Digital Audio on page 69](#).
- SPI bus — See [SPI Bus on page 73](#).
- HSIC bus — See [Clock on page 75](#).
- Antenna control — See [Antenna Control on page 78](#).
- System clock outputs — See [Clock on page 75](#).
- Test pins — See [Test Pins on page 77](#).
- Tx Activity Indicator (TX_ON) — See [Tx Activity Indicator \(TX_ON\) on page 79](#).

1.3 Common Flexible Form Factor (CF3)

The AirPrime RC76xx belongs to the Common Flexible Form Factor (CF3) family of WWAN modules. These modules share the same mechanical dimensions (same width and length with varying thicknesses) and footprint. The CF3 form factor provides a unique solution to a series of problems faced commonly in the WWAN module space as it:

- Accommodates multiple radio technologies and band groupings
- Supports bit-pipe (Essential Module Series) and value-add (Smart Module Series) solutions
- Offers electrical and functional compatibility

1.4 Physical Dimensions and Connection Interface

The AirPrime RC76xx module is a compact, robust, fully shielded and labeled (laser-etched) module with the dimensions noted in [Table 1-4](#).

Table 1-4: Module Dimensions^a

Parameter	Nominal	Tolerance	Units
Length	23.00	±0.10	mm
Width	22.00	±0.10	mm
Thickness	2.50	±0.20	mm
Weight	2.6	±1.0	g

a. Dimensions are accurate as of the release date of this document.

The AirPrime RC76xx module is an LGA form factor device. All electrical and mechanical connections are made through the 239 Land Grid Array (LGA) pads on the bottom side of the PCB. (See [Figure 10-1 on page 106](#) for details.)

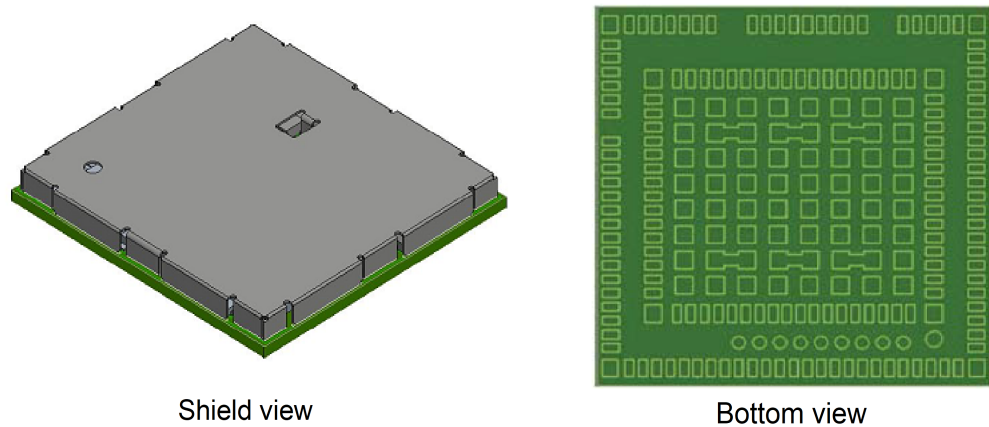


Figure 1-1: Mechanical Overview

The 239 pads have the following distribution:

Table 1-5: LGA Pad Types

Pad Type/Quantity		Dimensions	Pitch
Signal Pads	66 inner pads	1.0x0.5 mm	0.8 mm
	91 outer pads		
Test Points	1 polarity mark (Ground)	1.0 mm (diameter)	-
	9 test points	0.8 mm (diameter)	1.20 mm

Table 1-5: LGA Pad Types

Pad Type/Quantity		Dimensions	Pitch
Ground Pads	64 inner pads	1.0x1.0 mm	1.83 mm/1.48 mm
	4 inner corner pads	1.0x1.0 mm	-
	4 outer corner pads	1.0x0.9 mm	-

>> 2: Functional Specifications

2.1 Architecture

The following figure presents an overview of the AirPrime RC76xx module's internal architecture and external interfaces.

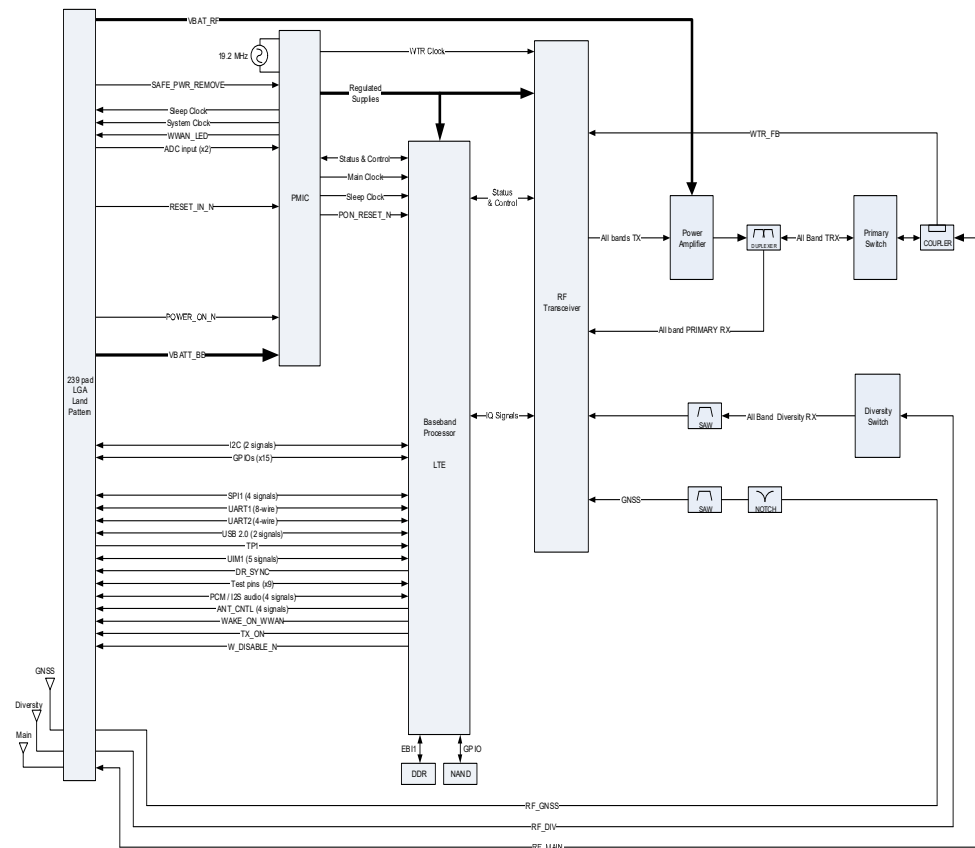


Figure 2-1: Architecture Overview

2.2 Telecom Features

Table 2-1 summarizes the AirPrime RC76xx module’s capabilities offered through the Telecom core.

Table 2-1: Module Capabilities

Feature	Description
Electrical	3.4–4.3V supply voltage (VBAT_BB, VBAT_RF): <ul style="list-style-type: none"> • Single supply (recommended), VBAT_BB tied to VBAT_RF <i>or</i> • Dual supplies, single supply each for VBAT_BB and VBAT_RF
Voice (Digital Audio)	<ul style="list-style-type: none"> • PCM/I²S digital audio interface • Supports Enhanced Full Rate (EFR), Full Rate (FR), Half Rate (HR), and both Narrow-Band and Wide-band Adaptive Multirate (AMR-NB and AMR-WB) vocoders • MO and MT calling • Echo cancellation and noise reduction • Emergency calls (112, 110, 911, etc.) • Incoming call notification • DTMF generation • Internal codec driver for WM8944
SMS	<ul style="list-style-type: none"> • SMS MO and MT • CS and PS support • SMS saving to UIM card or ME storage • SMS reading from UIM card or ME storage • SMS sorting • SMS concatenation • SMS Status Report • SMS replacement support • SMS storing rules (support of AT+CNMI, AT+CNMA)
Supplementary services	<ul style="list-style-type: none"> • Call Barring • Call Forwarding • Call Hold • Caller ID • Call Waiting • Multi-party service • USSD • Automatic answer

2.2.1 Network Technology Specifications

The following table describes LTE specifications for AirPrime RC76xx modules.

Table 2-2: Supported LTE Specifications

Standard	Feature Description
R13	<ul style="list-style-type: none"> • eDRX (Extended Discontinuous Reception) to extend battery life in devices that do not require frequent network access • PSM (Power Saving Mode) to reduce power consumption
R10	<ul style="list-style-type: none"> • Release 10 mandatory LTE features • Data rates: <ul style="list-style-type: none"> • RC7611-1—Cat 1 FDD (up to 10 Mbps downlink, 5 Mbps uplink) • RC7611—Cat 4 FDD (up to 150 Mbps downlink, 50 Mbps uplink) • 1.4 MHz, 3 MHz, 5 MHz, 10 MHz, 15 MHz and 20 MHz RF bandwidth • IPv6, QoS • NAS & RRC standalone security • Commercial Mobile Alert System (CMAS) • ETWS (Earthquake Tsunami Warning System) notification • Inter-frequency/bandwidth mobility • DRX cycle while in: <ul style="list-style-type: none"> • Connected mode • Idle mode • UE IRAT support for Self Organizing Networks and Automatic Neighbor Relation (SON AR)
System Determination	<ul style="list-style-type: none"> • Frequency Scan and System Selection within LTE • LTE BPLMN support • LTE Connected mode OOS • System selection across RATs, Standalone Security, Dedicated EPS Bearer Management and Dormancy • 256 UPLMN and 256 OPLMN entries in UIM support • Carrier Specific BSR Requirements
Data	<ul style="list-style-type: none"> • Data call throttling • Default IPv4 bearer activation at attach/IPv4 data call • NW and UE initiated QoS • Dual IP and IPv4/IPv6 continuity • IPv4/IPv6 session continuity • W/G IP session continuity • Emergency services—LTE NAS Support for Control Plane LTE Positioning Protocol

2.2.2 Modem Specifications

Table 2-3: Supported Modem Specifications

Standard	Feature Description
Data	<ul style="list-style-type: none">• IPHC protocol as RFC 2509• Stateless DHCPv4 protocol to get P-CSCF and DNS addresses• IPv4/IPv6• Dual IP on single QMAP PDN• Multi-QMAP PDN Data Call

2.3 Multi-Core Processing Capabilities

The AirPrime RC76xx is a powerful multiple-core system that includes:

- One QDSP6 core, embedding Telecom firmware with integrated cellular voice, VoLTE, data and wireless Internet connectivity
- One Cortex A7 core entirely dedicated to customer application and natively provided with ThreadX operating system

>> 3: Technical Specifications

3.1 Environmental

The environmental specifications for operation and storage of the AirPrime RC76xx are defined in [Table 3-1](#).

Table 3-1: Environmental Specifications

Parameter	Range	Operating Class
Ambient Operating Temperature	-30°C to +70°C	Class A
	-40°C to +85°C	Class B
Ambient Storage Temperature	-40°C to +85°C	-
Ambient Humidity	95% or less	-

Class A is defined as the operating temperature range within which the device:

- Shall exhibit normal function during and after environmental exposure.
- Shall meet the minimum requirements of 3GPP or appropriate wireless standards.

Class B is defined as the operating temperature range within which the device:

- Shall remain fully functional during and after environmental exposure
- Shall exhibit the ability to establish any of the device's supported call modes (SMS, Data, and emergency calls) at all times even when one or more environmental constraint exceeds the specified tolerance.
- Unless otherwise stated, full performance should return to normal after the excessive constraint(s) have been removed.

3.2 Power Supply Ratings

The AirPrime RC76xx operates using DC power supplied via the VBAT_RF and VBAT_BB signals. Power supply options are:

- (Recommended) A single regulated DC power supply (3.7V nominal)
- Two regulated DC power supplies (3.7V nominal), one each for VBAT_BB and VBAT_RF

Note: Operation above the maximum specified operating voltage (see [Table 3-3 on page 26](#)) is not recommended, and specified typical performance or functional operation of the device is neither implied nor guaranteed.

Note: Proper operation is not guaranteed or recommended for USB_VBUS as the main power supply.

Table 3-2: Power Supply Pins

Pin	Name	Direction	Function	Notes
63, 158	VBAT_BB	Input	Baseband power supply	63—Must be used 158—Optional
61, 62, 157	VBAT_RF	Input	RF power supply	61/62—Must be used 157—Optional

Table 3-3: Operating Conditions

Parameter	Min	Typ	Max	Units	Notes
Power supply voltage ^{a,b}	3.4	3.7	4.3	V	Must be within min/max values over all operating conditions (including voltage ripple, droop, and transient).
Power supply ripple	-	-	100	mV _{pp}	See Figure 3-1 on page 27 .
Power supply voltage droop	-	-	250	mV	See Figure 3-1 on page 27 and Under-Voltage Lockout (UVLO) on page 27 .
Power supply voltage transient (overshoot /undershoot)	-	-	300	mV	See Figure 3-1 on page 27 .
Supply current	-	0.8	1.5	A	<ul style="list-style-type: none"> Typical value varies and depends on output power, band, and operating voltage. See Current Consumption on page 36 for values measured under normal operating conditions. Max value measured over 100 μs period.

- a. Power supply voltage outside the required range may affect call quality (dropped calls, data transfer errors, etc.)
 b. For Absolute Maximum Ratings, see [Table 3-18 on page 45](#).

Customer should characterize the ripple, droop, and transient response (overshoot/undershoot) of the power supply delivery system at the module input under full transmit power in LTE mode. To minimize voltage variation, add suitable capacitors to the supply line as close as possible to the module — depending on the power supply design, these capacitors may range from tens to several thousand μ F.

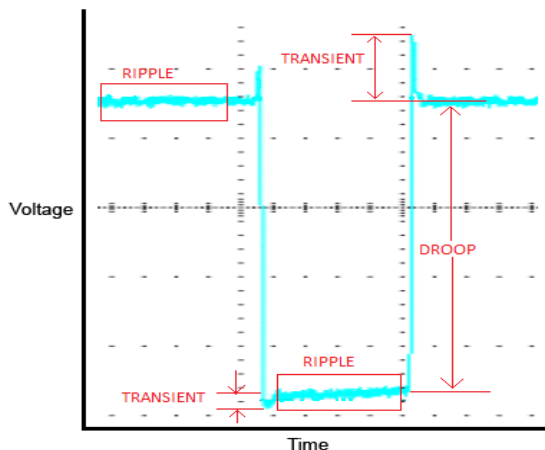


Figure 3-1: Power Supply Characteristics

3.2.1 Under-Voltage Lockout (UVLO)

The power management section of the AirPrime RC76xx includes an under-voltage lockout circuit that monitors supply and shuts down when VBAT_BB falls below the threshold.

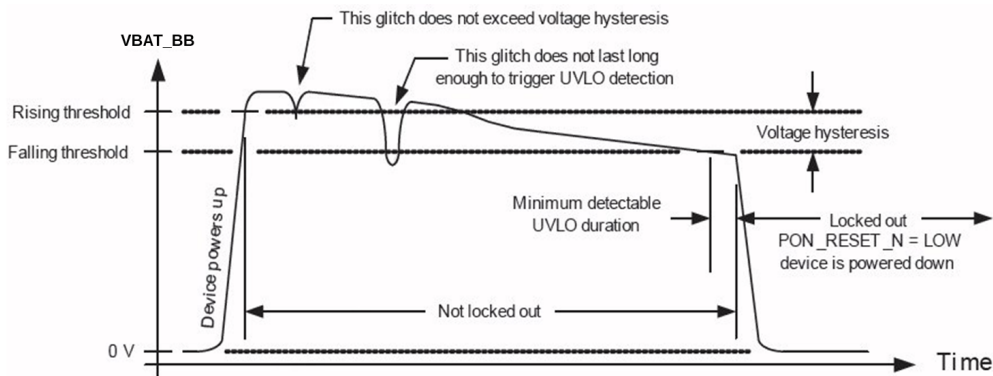


Figure 3-2: Under-Voltage Lockout (UVLO) Diagram

The AirPrime RC76xx will power down and remain off until VBAT_BB returns to the valid range and the ON/OFF signal is active.

Note: If the device experiences six consecutive UVLO events less than 45 seconds apart (approximately) and a host-initiated power down or reset has not occurred, the device enters a mode in which only the DM port enumerates on the USB.

Table 3-4: UVLO Specifications

Parameter	Min	Typ	Max	Units
Threshold voltage, falling	2.225	2.4	2.80	V
Threshold voltage, accuracy	-5	-	+5	%

Table 3-4: UVLO Specifications (Continued)

Parameter	Min	Typ	Max	Units
Hysteresis	-	425	-	mV
UVLO detection interval	-	1.0	-	μs

3.2.2 Power Consumption States

The AirPrime RC76xx has four basic power states (Active, Sleep, Ultra Power Saving Mode (PSM), and Off). As the module transitions between power states, the range of available device functionality adjusts appropriately, as described in [Table 3-5 on page 28](#) and [Figure 3-3 on page 30](#).

In the Active state, the module is ON with the application processor running. In Sleep state, the processor suspends its activity, reducing power consumption. The Active state has more than one power mode to reduce power consumption. Power Saving Mode (PSM; network-dependent) may be enabled to achieve the lowest possible average power consumption.

Table 3-5: Supported Power States

State	Description
Active	<p>Module is fully powered (ThreadX can be run in the Application Core; modem is on) and operating in one of the following modes:</p> <ul style="list-style-type: none"> • Full function (WWAN radio active; GNSS radio can be turned on/off)—Highest power consumption. • Idle mode (WWAN radio on; Module registered on network, but no active connection; GNSS radio can be turned on/off) • Airplane mode (WWAN radio off; GNSS radio can be active if allowed by PRI) • eDRX (Extended Discontinuous Reception)—eDRX mode provides a ‘flexible sleep’ for the modem, which significantly reduces energy consumption. For eDRX details, see Extended Discontinuous Reception (eDRX) on page 34.
Sleep	<ul style="list-style-type: none"> • Lower power consumption than Active state, but higher than PSM. • Application Core is sleeping; modem is in DRX/eDRX. The processor monitors signals (triggers) that can ‘wake’ the module—see Wakeup Interrupt (Sleep State) on page 65 for details. • Sleep state can be entered based on USB-SS (if USB is connected to the module), UART_DTR, wake_lock(), configured GPIOs, and QMI exchanges from the modem.

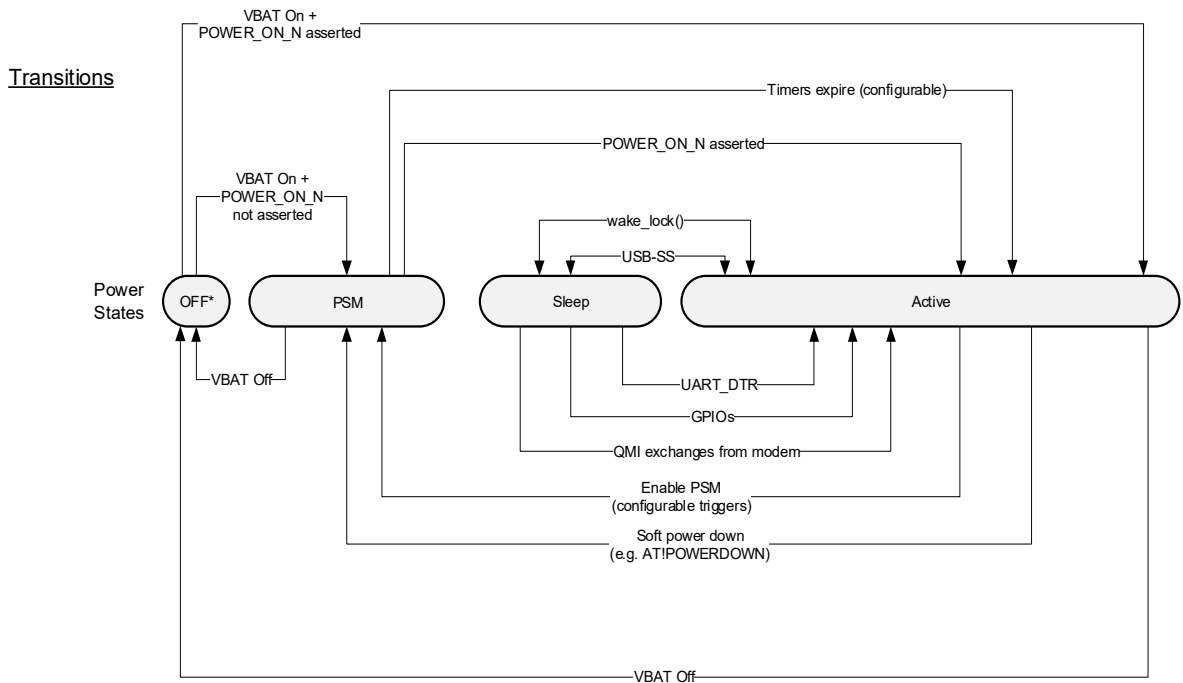
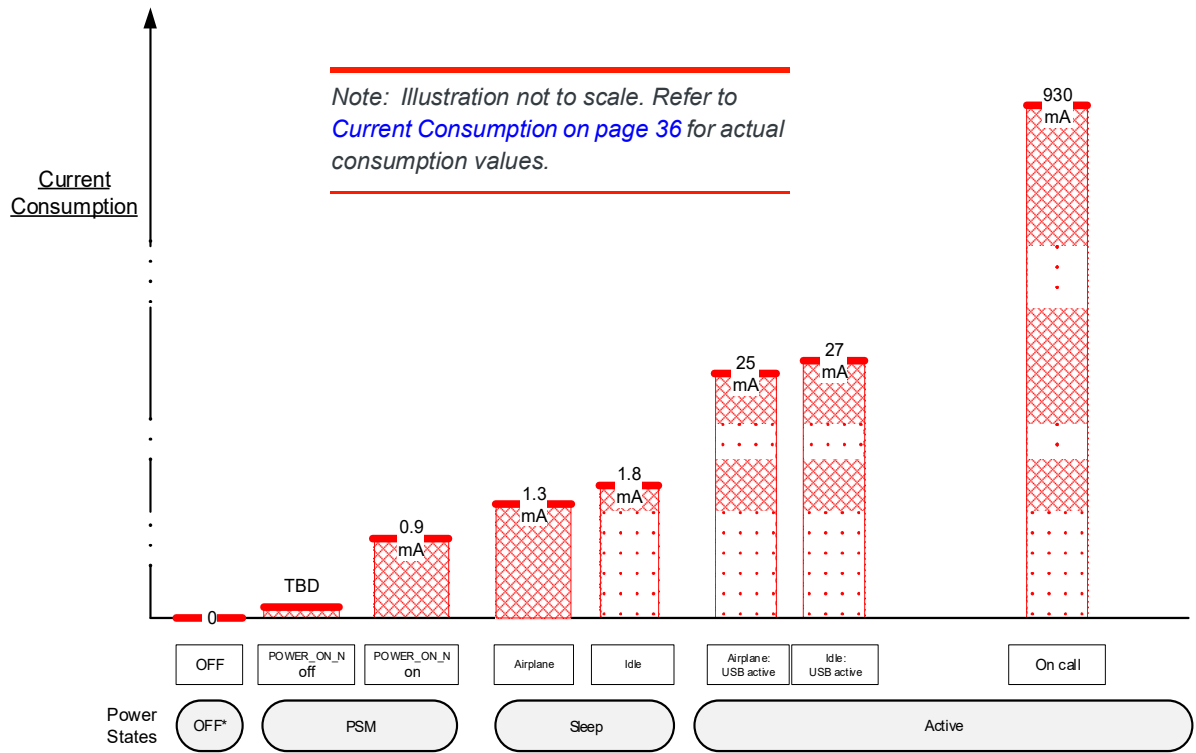
Table 3-5: Supported Power States (Continued)

State	Description
PSM (Power Saving Mode)	<p>3GPP Release 12 introduced network support of PSM. PSM allows the module to negotiate, with the network, an extended period during which registration context with the network is retained while the module is unreachable. During the negotiated period, the module enters a very low-power dormant state.</p> <p>After the specified period, the modem and application processors boot up and the module sends a TAU (Tracking Area Update) to the network.</p> <p>After sending the TAU, the module remains active to allow any pending data to be exchanged with the network. Then, after a negotiated period of inactivity, the module automatically returns to PSM to repeat the cycle.</p> <p>For PSM details, see Power Saving Mode (PSM) on page 31.</p>
OFF	<p>Module is OFF (no power to the system).</p> <p>Apply power for system to go to:</p> <ul style="list-style-type: none"> • Active state (POWER_ON_N is asserted) <li style="padding-left: 20px;">or • PSM (POWER_ON_N is de-asserted)

Table 3-6: PSM Wakeup Sources

Type	Description
TAU timer	<p>Periodic TAU—PSM Cycle Timer (T3412)</p> <p>Configurable timer specifying PSM sleep duration. Applies to PSM only.</p>
Wakeup timer	<p>Derived from TAU timer (value is automatically set slightly shorter than TAU timer to ensure module boot completes before TAU timer expires)</p>
RESET_IN_N	<p>Resets the module with POWER_ON_N ON.</p> <p><i>Note: If RESET_IN_N is used when POWER_ON_N is OFF, an emergency power off occurs—see Emergency Power Off on page 57</i></p>
POWER_ON_N	<p>Wakes the module when asserted (transitions from OFF to ON).</p>

[Figure 3-3 on page 30](#) illustrates the current consumption requirements of the different power states and the possible transitions between power states. For specific values, see [Current Consumption on page 36](#).



Note: VBAT = VBAT_BB and VBAT_RF

Figure 3-3: Power State Transitions

3.2.3 Power Saving Mode (PSM)

Power Saving Mode (PSM) is a 3GPP feature that allows the RC76xx to minimize power consumption by registering on a PSM-supporting LTE network, entering a very low power 'dormant' state for a pre-configured duration (via a periodic TAU (Tracking Area Update) timer), and then booting up for a short period to transmit/receive data, before re-entering PSM. During the dormant period, the module remains unreachable by the network until woken by a configured wakeup source (POWER_ON_N, RESET_IN_N) or the expiry of the periodic TAU timer.

Note: When using PSM, the POWER_ON_N signal must be floating. If this signal is grounded, it will automatically trigger a wake.

Note: Simplified current consumption pattern to illustrate general structure of PSM cycle power state transitions.

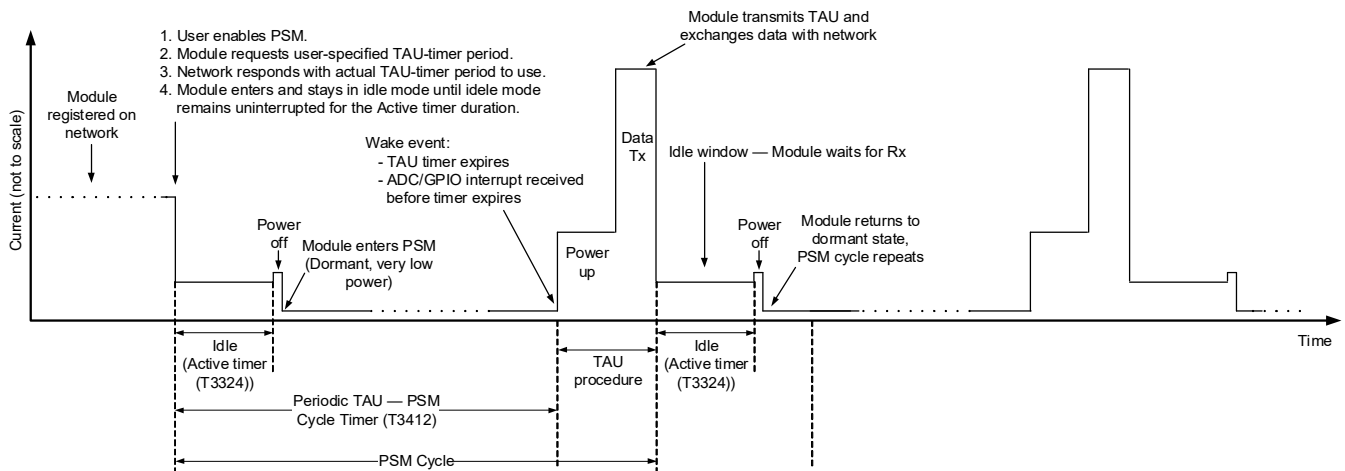


Figure 3-4: PSM Example (Simplified)

Typical candidates for PSM are systems (such as monitors and sensors) that:

- Require long battery life (low power consumption)
- Tolerate very long latency for mobile-terminated SMS/data
- Do not use mobile-terminated voice
- Send and/or receive data infrequently and periodically (e.g. on a given schedule of once every few hours, days, weeks, etc.)

For example, a module connected to a sensor can be configured to:

- Wake periodically to transmit collected data to a server or network entity (e.g. once per week schedule, or when a sensor activates an ADC interrupt due to an out-of-range reading), then
- Wait a short (configured) period of time to receive transmissions (e.g 60 seconds) and then return to its dormant state.

[Table 3-6 on page 29](#) describes the available triggers for waking an RC76xx from PSM. These triggers are configured using the methods described in [Table 3-7](#).

Table 3-7: PSM-Related Application User Commands/Interfaces

Type	Command/Interface ^a	Description
AT	+CPSMS	<p>3GPP-defined command (3GPP TS27.007 Release 12) that allows direct control of all LTE PSM parameters, and is useful for advanced users wanting to test/experiment with different options. This command is limited to networks that support PSM.</p> <p>It is not expected that every user must be fully versed in the details of PSM to take advantage of its capabilities.</p> <p>Use this command to:</p> <ul style="list-style-type: none"> • Enable/disable LTE PSM. • Configure Period TAU timer (T3412) with a requested maximum duration of the dormant period. • Configure Active timer (T3324) with a requested 'idle mode time' (the duration the module remains idle before going dormant) • This command follows the 3GPP TS 27.007, Release 12 specification, with exceptions noted for certain parameters. <p><i>Note: The requested timer values are negotiated with the network and the final negotiated values take effect immediately, then persist across power cycles (e.g. after a power cycle, the settings will be used during network attach).</i></p>
	! POWERMODE	Custom Sierra Wireless command that allows application developers to enable PSM without the complexity of the AT+CPSMS syntax.
	! POWERWAKE	Custom Sierra Wireless command used to configure PSM timers (TAU time, active time) in seconds. Note that only timer values supported by the 3GPP standard are allowed.
	<p>Important: <i>Sierra Wireless recommends not combining the use of +CPSMS and !POWERWAKE. These commands have some functional overlap, which may result in unexpected effects.</i></p>	

a. For AT command details, refer to [1] AirPrime RC7611 AT Command Reference, available at <http://source.sierrawireless.com>.

PSM Process Example

The following example describes how the module uses PSM (as shown in [Figure 3-4 on page 31](#)):

1. Module registers on an LTE network.
2. User enables PSM via AT command or API library function, specifying the desired TAU timer and Active timer periods, and optional wakeup sources.
3. Module submits the PSM request (including desired TAU timer) to the network.
4. Network responds and indicates whether PSM is supported and (if it is) indicates the actual TAU timer to use.

5. If the network supports PSM:
 - a. Module enters idle mode (waiting for Rx from network).
 - b. When module has remained idle for the Active timer period, module powers off (except for maintaining timer and interrupts) and enters PSM.
 - c. Module remains in PSM for the specified period or until a configured trigger (POWER_ON_N, RESET_IN_N) wakes it.

Note: If traffic must be transmitted when the module is in the sleep portion of the cycle, the module can initiate data/SMS/voice session immediately.

- d. Module powers up before TAU timer expires, then transmits TAU and/or exchanges data with network.
- e. Module enters idle mode and cycle repeats.

Note: When the module is powered up, the PSM request can be re-issued with different timers and triggers to adjust the PSM behavior. These new settings take effect immediately.

Important Notes

- Carefully select the PSM Periodic-TAU timer and Active Time values to match the intended use case(s) for the module:
 - Periodic TAU PSM Cycle timer (T3412) — Note that while the module is dormant (for the duration of this timer, unless woken by a user-configured ADC or GPIO interrupt, or POWER_ON_N or RESET_IN_N), it will be completely unreachable by the network.
 - Active Time (Idle mode time after transmission (T3324)) — Make sure to set the Active timer high enough to provide appropriate delay-tolerance for mobile-terminated/network-originated transmissions to be received.
- When using multiple devices, consider scheduling the modules to wake at different times so that the network does not get flooded by all modules waking and transmitting simultaneously.

3.2.4 Active State to PSM Transition

If the module will be used in situations where it needs to be active very infrequently (for example, in a remote monitoring station that must transmit data periodically—e.g. on a regular schedule ranging from days to weeks or more), PSM may be used to reduce power consumption much more than is possible in Sleep state (low power active state). Refer to [Figure 3-3 on page 30](#) for transition conditions. If the module does not enter PSM, the request must be explicitly repeated—the module will not attempt to enter PSM automatically.

3.2.5 Extended Discontinuous Reception (eDRX)

The RC76xx supports eDRX, which is a ‘flexible sleep’ active mode that allows for longer sleep duration (T_{C-eDRX} , T_{I-eDRX}) and a significant decrease in power consumption compared to regular DRX (T_{C-DRX} , T_{I-DRX}).

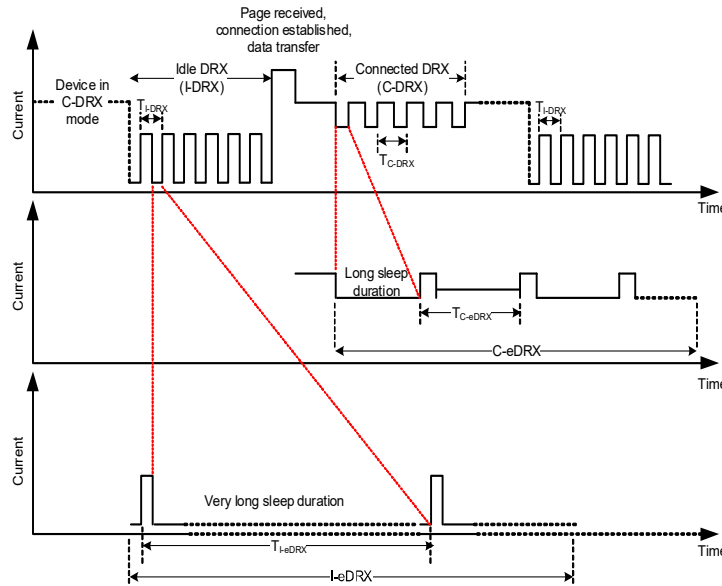


Figure 3-5: eDRX Example (Simplified)

Specifically, the RC76xx supports two forms of eDRX, both of which extend the DRX cycle (the paging cycle comprised of a paging window during which the module is awake and able to receive or transmit on the network, and a sleep period during which the network cannot wake the module) by increasing the sleep duration beyond the DRX maximum of 2.56 seconds:

- I-eDRX (Idle mode eDRX) – The sleep duration of the DRX cycle can be set up to 44 minutes for LTE-M.
Note that I-eDRX has wider network support than C-eDRX.
- C-eDRX (Connected mode eDRX) – The sleep duration of the DRX cycle can be set up to 10 seconds.

Note: If traffic must be transmitted when the module is in the sleep portion of the cycle, the module can initiate data/SMS/voice session immediately.

Table 3-8 describes the available methods for configuring eDRX.

Table 3-8: eDRX-Related Commands^a

Type	Command	Description
AT	+CEDRXS	Enable/disable eDRX, and configure related settings
AT	+CEDRXRDP	Display current eDRX settings

a. For AT command details, refer to [1] AirPrime RC7611 AT Command Reference, available at <http://source.sierrawireless.com>.

eDRX Process Example

- Use the AT+CEDRXS command to configure the desired eDRX behavior.
- During the network attachment process:
 - eDRX request and settings are sent to the network
 - Network responds and indicates whether eDRX is supported for the connection and may adjust the eDRX parameters.
- If eDRX is supported by the network:
 - While in active mode (connected), the C-eDRX sleep duration is used if supported, otherwise the regular DRX sleep duration is used.
 - While in idle mode, the I-eDRX sleep duration is used if supported, otherwise the network uses the standard LTE I-DRX value.

Important Notes

- The sleep duration must be carefully selected to match the intended use case(s) for the module. While the module is asleep, it will be unreachable by the network. The duration should provide appropriate delay-tolerance for mobile-terminated/ network-originated transmissions to be received.
- Due to the extended sleep time compared to regular DRX, eDRX is not suitable for most mobile-terminated voice connections.
- Network-side store and forward is supported — Packets will be stored until the module is reachable.

3.2.6 Current Consumption

The following tables describe the AirPrime RC76xx module’s current consumption under various power states. Typical values are measured at nominal supply voltage, nominal ambient temperature, and with a conducted 50Ω load on the antenna port.

Table 3-9: Current Consumption Values

Mode	Parameter	Min	Typ ^a	Max ^b	Units	
Power state—Active						
LTE Data transfer ^c	B2	210	700	980	mA	
	B4	210	710	1000	mA	
	B5	190	570	700	mA	
	B12	190	610	700	mA	
	B13	190	680	800	mA	
	B14	190	700	800	mA	
	B25	210	720	980	mA	
	B26	190	580	700	mA	
	B66	220	700	1000	mA	
Idle—LTE	<ul style="list-style-type: none"> Registered Paging cycle=256 	USB active	25	26	39	mA
		USB-SS	1.7	1.8	6	mA
Idle—LTE eDRX	Period	40 sec	1	1.3	3.7	mA
Airplane mode	Radio off	USB active	25	25	36	mA
		USB-SS	1	1.3	4	mA
Power state—Power Saving Mode (PSM)						
Non-active, low power state		TBD	TBD	TBD	TBD	
GNSS ^d						
Acquisition (Airplane mode, cold start)		15	25	35	mA	
Tracking (Registered)		15	25	35	mA	

- a. Typical, measured at nominal temperature, nominal voltage.
- b. Worst case, measured at 70°C, 3.4V.
- c. At LTE conducted max Tx output power (see [Table 3-11 on page 38](#))
- d. GNSS current consumption values are for the GNSS radio only. For total consumption, add the GNSS value to the consumption for the mode being used.

3.3 RF

This section presents the module’s WWAN RF interface, and defines the specifications for the LTE interface.

Note: RF sensitivity values presented in this section are for soldered-down modules. Sensitivity values decrease for modules installed in snap-in sockets, which might prevent the module from meeting 3GPP minimum specifications.

AirPrime RC76xx is designed to be compliant with 3GPP Release 10 standards; refer to [Network Technology Specifications on page 23](#).

3.3.1 Supported RF Bands

Table 3-10: Supported RF bands

RAT	Band	RC7620	RC7620-1	RC7611	RC7611-1
LTE	Category	4	1	4	1
	B1	Y	Y		
	B2			Y	Y
	B3	Y	Y		
	B4			Y	Y
	B5			Y	Y
	B7	Y	Y		
	B8	Y	Y		
	B11				
	B12			Y	Y
	B13			Y	Y
	B14			Y	Y
	B17				
	B18				
	B19				
	B20	Y	Y		
	B21				
B25			Y	Y	
B26			Y	Y	

RAT	Band	RC7620	RC7620-1	RC7611	RC7611-1
LTE	B28	Y	Y		
	66			Y	Y
	71			Y	Y
UMTS	B1	Y	Y		
	B8	Y	Y		
GSM/GPRS/EDGE	E-GSM 900	Y	Y		
	DCS 1800	Y	Y		
GNSS	GPS	Y ^a		Y ^a	
	GLONASS				
	Galileo				
	BeiDou				

a. SKU-dependent

3.3.2 LTE RF Interface

This section presents the LTE RF specification for AirPrime RC76xx modules.

3.3.2.1 Tx Output Power

The module's LTE maximum transmitter output power is specified in [Table 3-11](#).

Table 3-11: Conducted Tx Max Output Power Tolerances^a

RF Band	Operating Condition	Min	Typ	Max	Units	Notes
B2	Normal (25°C)	21	23	24	dBm	Power class 3
B4	Normal (25°C)	21	23	24	dBm	Power class 3
B5	Normal (25°C)	21	23	24	dBm	Power class 3
B12	Normal (25°C)	21	23	24	dBm	Power class 3
B13	Normal (25°C)	21	23	24	dBm	Power class 3
B14	Normal (25°C)	21	23	24	dBm	Power class 3
B25	Normal (25°C)	21	23	24	dBm	Power class 3
B26	Normal (25°C)	21	23	24	dBm	Power class 3
B66	Normal (25°C)	21	23	24	dBm	Power class 3
B71	Normal (25°C)	21	23	24	dBm	Power class 3

a. Stated typical power tolerance satisfies 3GPP TS 36.521-1 requirements for normal (25°C) and Class A (extreme) conditions.

3.3.2.2 Rx Sensitivity

The module's LTE receiver sensitivity is specified in the following tables.

Table 3-12: Conducted Rx Sensitivity

LTE Bands		+25°C (dBm)			Class A (dBm)			SIMO (Worst case) ^a
		Primary (Typical)	Secondary (Typical)	SIMO (Typical)	Primary (Typical)	Secondary (Typical)	SIMO (Typical)	
B2	Full RB BW: 10 MHz	-98	-98	-100	-97	-97.5	-99.5	-94.3
B4	Full RB BW: 10 MHz	-98	-97.5	-99.5	-97	-96.5	-98.5	-96.3
B5	25 RB BW: 10 MHz	-99	-98	-100.5	-98	-97	-99.5	-94.3
B12	20 RB BW: 10 MHz	-97.5	-96	-99	-96	-95.5	-98	-93.3
B13	20 RB BW: 10 MHz	-97.5	-95	-99	-96.5	-94	-98	-93.3
B14	15 RB BW: 10 MHz	-97.5	-97	-99.5	-96.5	-96	-98.5	-93.3
B25	Full RB BW: 10 MHz	-98	-98	-100	-97	-97.5	-99.5	-92.8
B26	25 RB BW: 10 MHz	-99	-98	-100.5	-98	-97	-99.5	-93.8
B66	Full RB BW: 10 MHz	-98	-98	-100	-97	-97	-99	-95.8
B71	25 RB BW: 10 MHz	-99	-98	-100	-96.5	-97	-99	-93.5

a. Per 3GPP specification.

3.3.3 WWAN Antenna Interface

The following table defines the WWAN antenna interfaces of the AirPrime RC76xx modules..

Table 3-13: WWAN Antenna Interface Pins

Pin #	Signal name	Direction	Function
30	GND		Diversity Antenna Ground
31	RF_DIV	Input	Diversity Antenna Interface
32	GND		Diversity Antenna Ground
48	GND		Primary Antenna Ground
49	RF_MAIN	Input/Output	Primary Antenna Interface

Table 3-13: WWAN Antenna Interface Pins (Continued)

Pin #	Signal name	Direction	Function
50	GND		Primary Antenna Ground
111	GND		Diversity Antenna Ground
113	GND		Diversity Antenna Ground
136	GND		Primary Antenna Ground
139	GND		Primary Antenna Ground

3.3.3.1 WWAN Antenna Recommendations

Table 3-14 defines the key characteristics to consider for antenna selection.

Table 3-14: Antenna Recommendations^a

Parameter	Recommendations	Notes
Antenna system	External multi-band antenna system	Dual WWAN antennas for diversity (Antenna 1 / Antenna 2) ^b
Operating bands	699 – 798 MHz	Operating bands depend on the module’s supported bands/modes.
	824 – 894 MHz	
	1710 – 2200 MHz	
	2496 – 2690 MHz	
VSWR	< 2.5:1 (worst case)	<ul style="list-style-type: none"> On all bands including band edges Applies to both antennas
Total radiated efficiency	> 50% on all bands	<ul style="list-style-type: none"> Measured at the RF connector. Applies to both antennas Includes mismatch losses, losses in the matching circuit, and antenna losses, excluding cable loss. Sierra Wireless recommends using antenna efficiency as the primary parameter for evaluating the antenna system. Peak gain is not a good indication of antenna performance when integrated with a host device (the antenna does not provide omnidirectional gain patterns). Peak gain can be affected by antenna size, location, design type, etc.—the antenna gain pattern remains fixed unless one or more of these parameters change.
Radiation patterns	Nominally omnidirectional radiation pattern in azimuth plane.	

Table 3-14: Antenna Recommendations^a (Continued)

Parameter	Recommendations	Notes
Envelope correlation coefficient between Antenna 1 and Antenna 2	<ul style="list-style-type: none"> < 0.4 on B5 Rx (869–894 MHz), B12 Rx (729–746 MHz), B13 Rx (746–756 MHz), B14 Rx (758–768 MHz), B26 Rx (859–894 MHz) and B71 Rx (617–652 MHz) < 0.2 on B2 Rx (1930–1990 MHz), B4 Rx (2110–2155 MHz), B25 Rx (1930–1995 MHz) and B66 Rx (2110–2200 MHz) 	
Mean Effective Gain (MEG)	≥ -3 dBi	
Mean Effective Gain Imbalance—Antenna 1 and Antenna 2 (MEG1 / MEG2)	< 6 dB for diversity operation	
Maximum antenna gain	Must not exceed antenna gains due to RF exposure and ERP/EIRP limits, as listed in the module’s FCC grant.	
Isolation between Antenna 1 and Antenna 2 (S21)	> 10 dB	<ul style="list-style-type: none"> If antennas can be moved, test all positions for both antennas. Unless otherwise specified, this isolation requirement must be maintained for optimum operation. Make sure all other wireless devices (Bluetooth or WLAN antennas, etc.) are turned OFF to avoid interference.
Maximum voltage applied to antenna	6.3 VDC	
Power handling	> 1 W on all bands	<ul style="list-style-type: none"> Measure power endurance over 4 hours (estimated talk time) using a 2 W CW signal—set the CW test signal frequency to the middle of the PCS Tx band (1880 MHz for PCS). Visually inspect device to ensure there is no damage to the antenna structure and matching components. VSWR/TIS/TRP measurements taken before and after this test must show similar results.

- a. These worst-case VSWR figures for the transmitter bands may not guarantee RSE levels to be within regulatory limits. The device alone meets all regulatory emissions limits when tested into a cabled (conducted) 50Ω system. With antenna designs with up to 2.5:1 VSWR or worse, the radiated emissions could exceed limits. The antenna system may need to be tuned in order to meet the RSE limits as the complex match between the module and antenna can cause unwanted levels of emissions. Tuning may include antenna pattern changes, phase/delay adjustment, passive component matching.
- b. Antenna 1—Primary (RF_MAIN), Antenna 2—Secondary (RF_DIV) (Diversity)

3.4 GNSS

The AirPrime RC76xx includes Global Navigation Satellite System (GNSS) capabilities via the QUALCOMM IZat™ Gen8C Engine (formerly gpsOne), capable of operation in assisted and standalone GNSS modes (GPS/Galileo/GLONASS/BeiDou).

Note: The AirPrime RC76xx modules are not affected by the 2020 GPS week rollover. Software modifications extend the GPS rollover date to 12 December 2032.

Note: Internal GNSS is not supported while the LTE RF transmitter is operating on LTE B14.

3.4.1 Characteristics

The GNSS implementation supports GPS L1, Galileo E1, BeiDou-B1 and GLONASS L1 FDMA operation.

Table 3-15: GNSS Characteristics^a

Parameter		Value
Sensitivity ^b	Standalone or MS-based tracking sensitivity	-160 dBm
	Cold start acquisition sensitivity	-145 dBm
	MS-assisted acquisition sensitivity	-158 dBm
Accuracy in open sky (1 Hz tracking)		< 2 m CEP-50
Satellite channels available ^c	Acquisition	118
	Simultaneous tracking	40
Support for predicted orbits		Yes
Predicted orbit CEP-50 accuracy		5 m
Standalone Time To First Fix (TTFF)	Hot	1 s
	Warm	29 s
	Cold	32 s
Altitude (max)		18, 2888 m (60,000 ft)
Velocity (max)		1, 852 km/h (1150.8 mph)
Acceleration (max)		20 m/s ²
GNSS message protocols		NMEA

- a. Acquisition / tracking sensitivity performance figures in conducted mode assume a 2.5 dB noise figure.
- b. GNSS sensitivity may degrade for modules installed in snap-in sockets.
- c. Resources are dynamically assigned and not constellation-specific.

3.4.2 Antenna Interface

The GNSS antenna interface is defined in [Table 3-16](#).

Table 3-16: GNSS Antenna Interface Pads

Pad	Name	Direction ^a	Function
37	GND		GNSS Antenna Ground
38	RF_GNSS	Input	GNSS Antenna Interface
39	GND		GNSS Antenna Ground
125	GND		GNSS Antenna Ground
128	GND		GNSS Antenna Ground

a. Signal direction with respect to the module.

3.4.3 Antenna Recommendations

[Table 3-17](#) defines the key characteristics to consider for antenna selection.

Table 3-17: GNSS Standalone Antenna Recommendations

Parameter	Recommendations	Notes
Frequency range	<ul style="list-style-type: none"> Wide-band GPS, Galileo, GLONASS, and BeiDou: 1559–1606 MHz recommended Narrow-band GPS: 1575.42 MHz ± 2.046 MHz minimum 	
Field of view (FOV)	<ul style="list-style-type: none"> Omni-directional in azimuth -45° to +90° in elevation 	
Polarization (average Gv/Gh)	> 0 dB	Vertical linear polarization is sufficient.
Free space average gain (Gv+Gh) over FOV	> -6 dBi (preferably > -3 dBi)	Gv and Gh are measured and averaged over -45° to +90° in elevation, and ±180° in azimuth.
Gain	<ul style="list-style-type: none"> Maximum gain and uniform coverage in the high elevation angle and zenith. Gain in azimuth plane is not desired. 	
Average 3D gain	> -5 dBi	
Isolation between GNSS and RF Antenna	> 20 dB in all uplink bands	
Typical VSWR	< 2.5:1	
Polarization	Any other than LHCP (left-hand circular polarized) is acceptable.	Type of antenna and polarization (RHCP/linear) to be implemented is a matter of consideration based on specific end application.

Table 3-17: GNSS Standalone Antenna Recommendations (Continued)

Parameter	Recommendations	Notes
Maximum voltage applied to antenna	6.3 VDC	
700 MHz harmonic ^a	< -56 dBm (input jammer 787.76 MHz at -25 dBm and measure the harmonic tone at 1575.42 MHz)	This specification is for B13 and B14 coexistence.
IIP2 ^a	> 45 dBm (Input jammers at 824.6 MHz with level -25 dBm and 2400 MHz with level -32 dBm and measure output IM2 at 1575.4 MHz)	Out of band
IIP3 ^a	> 2 dBm (Input jammers at 1712.7 MHz with level -20 dBm and 1850 MHz with level -65 dBm and measure output IM3 at 1575.4 MHz)	Out of band
Input 1 dB power compression point ^a	> -10 dBm	
Out of band rejection for an active antenna		
663–716 MHz	> 50 dB	
777–798 MHz	> 50 dB	
814–915 MHz	> 40 dB	50 dB is preferred
925–960 MHz	> 30 dB	50 dB is preferred
1427–1463 MHz	> 35 dB	
1710–1785 MHz	> 35 dB	
1850–1980 MHz	> 40 dB	
2010–2025 MHz	> 40 dB	
2305–2315 MHz	> 40 dB	
2401–2483 MHz	> 40 dB	
2500–2570 MHz	> 35 dB	

a. For the LNA used by an active antenna

3.5 Electrical Specifications

This section provides details of key electrical specifications.

3.5.1 Absolute Maximum Ratings

Warning: If these parameters are exceeded, even momentarily, damage may occur to the device. In addition, extended application of Absolute Maximum Rating conditions to the device may reduce device reliability.

Note: Operation above the maximum specified operating voltage (see [Table 3-3 on page 26](#)) is not recommended, and specified typical performance or functional operation of the device is neither implied nor guaranteed.

Table 3-18: Absolute Maximum Ratings

Parameter		Min	Typ	Max	Units
Power supply voltages					
VBAT_BB	Power Supply Input	0	-	6.0	V
VBAT_RF	Power Supply Input	0	-	5.5	V
VDD_Px (low-voltage (1.2V) operation)	Digital pad circuits	-0.5	-	1.44	V
VDD_Px (low-voltage (1.8V) operation)	Digital pad circuits	-0.5	-	2.3	V
VDD_Px (high-voltage (2.85V) operation)	Digital pad circuits	-0.5	-	3.35	V
USB signal pins					
USB_D+	High-speed USB data plus	-	-	3.6	V
USB_D-	High-speed USB data minus	-	-	3.6	V
USB_VBUS	High-speed USB bus voltage	-	-	5.25	V
Thermal conditions					
TS	Storage temperature	-40		85	°C
TJ	Junction temperature	-	-	130	°C
Maximum voltage applied to antenna interface pins					
VANT	RF_MAIN	-		6.3	Vdc
	RF_DIV	-		6.3	Vdc
	RF_GNSS	-		6.3	Vdc
ESD ratings					
See EMC and ESD Recommendations on page 89 .					

3.5.2 Digital I/O Characteristics

The I/O characteristics for supported digital interfaces are described in:

- [Table 3-19](#) – HSIC signals
- [Table 3-20](#) – GPIOs (except GPIO8 and GPIO28), UART, ANT_CNTL, TX_ON, and PCM/I²S signals
- [Table 3-21](#) – GPIO8 and GPIO28
- [Table 3-22](#) – UIM signals

Table 3-19: Digital I/O Characteristics ($V_{DD_PX} = 1.20\text{ V}$ (nominal))

Parameter		Notes	Min	Max	Units
V_{IH}	High level input voltage	CMOS/Schmitt	$0.65 \times V_{DD_PX}$	-	V
V_{IL}	Low level input voltage	CMOS/Schmitt	-	$0.35 \times V_{DD_PX}$	V
I_{IH}	Input high leakage current ^a	No pull-down	-	2	μA
I_{IL}	Input low leakage current ^b	No pull-up	-2	-	μA
V_{OH}	High level output voltage	CMOS, at pin-rated drive strength	$0.75 \times V_{DD_PX}$	-	V
V_{OL}	Low level output voltage	CMOS, at pin-rated drive strength	-	$0.25 \times V_{DD_PX}$	V
I_Z	Tri-state leakage current ^a	No pull, no keeper	-2	2	μA
R_P	Pull resistance	Pull-up and pull-down	17	60	$\text{k}\Omega$
R_K	Keeper resistance		17	60	$\text{k}\Omega$
C_{IN}	Input capacitance ^c		-	5	pF

a. Pin voltage = V_{DD_PX} max.

b. Pin voltage = GND and supply = V_{DD_PX} max.

c. Input capacitance and I/O capacitance values are guaranteed by design, but is not 100% tested.

Table 3-20: Digital I/O Characteristics ($V_{DD_PX} = 1.80\text{ V}$ (nominal) signals)

Parameter		Notes	Min	Max	Units
V_{IH}	High level input voltage	CMOS/Schmitt	$0.65 \times V_{DD_PX}$		V
V_{IL}	Low level input voltage	CMOS/Schmitt		$0.35 \times V_{DD_PX}$	V
V_{SHYS}	Schmitt hysteresis voltage		100	-	mV
I_{IH}	Input high leakage current ^a	No pull-down	-	1	μA
I_{IL}	Input low leakage current ^b	No pull-up	-1	-	μA
R_P	Pull up/down resistance		55	390	$\text{k}\Omega$
V_{OH}	High level output voltage	CMOS, at pin-rated drive strength	$V_{DD_PX} - 0.45$		V
V_{OL}	Low level output voltage	CMOS, at pin-rated drive strength		0.45	V
R_K	Keeper resistance		30	150	$\text{k}\Omega$

Table 3-20: Digital I/O Characteristics ($V_{DD_PX} = 1.80\text{ V}$ (nominal) signals) (Continued)

Parameter		Notes	Min	Max	Units
C_{IN}	Input capacitance ^c		-	5	pF
I_{PIN}	Current per pin		-	16	mA

- a. Pin voltage = V_{DD_PX} max. For keeper pins, pin voltage = V_{DD_PX} max - 0.45 V.
 b. Pin voltage = GND and supply = V_{DD_PX} max. For keeper pins, pin voltage = 0.45 V and supply = V_{DD_PX} max.
 c. Input capacitance is guaranteed by design, but is not 100% tested.

Table 3-21: GPIO8 and GPOIO28 Digital I/O Characteristics ($V_{DD_PX} = 1.80\text{ V}$ (nominal) signals)

Parameter		Notes	Min	Max	Units
V_{IH}	High level input voltage	CMOS/Schmitt	$0.65 \times V_{DD_PX}$		V
V_{IL}	Low level input voltage	CMOS/Schmitt		$0.35 \times V_{DD_PX}$	V
V_{OH}	High level output voltage	CMOS, at pin-rated drive strength	$0.8 \times V_{DD_PX}$		V
V_{OL}	Low level output voltage	CMOS, at pin-rated drive strength		$0.2 \times V_{DD_PX}$	V
R_P	Pull up/down resistance		10	50	k Ω
R_K	Keeper resistance		10	50	k Ω
I_{IH}	Input high leakage current ^a	No pull-down	-	1	μ A
I_{IL}	Input low leakage current ^b	No pull-up	-1	-	μ A
V_{SHYS}	Schmitt hysteresis voltage		165	-	mV

- a. Pin voltage = V_{DD_PX} max.
 b. Pin voltage = GND and supply = V_{DD_PX} max.

Table 3-22: Digital I/O Characteristics (Dual-voltage — $V_{DD_PX} = 1.80\text{ V}$ or 2.85 V (nominal))

Parameter		Notes	Min	Max	Units
Common to dual-voltage pads (1.8 V / 2.85 V)					
R_P	Pull resistance	Pull-up and pull-down	10	100	k Ω
R_K	Keeper resistance		10	100	k Ω
V_{SHYS}	Schmitt hysteresis voltage		100	-	mV
$C_{I/O}$	I/O capacitance		-	5	pF
Common to UIM pad at 2.85 V only					
I_{IH}	Input high leakage current	No pull-down	-	10	μ A
I_{IL}	Input low leakage current	No pull-up	-10	-	μ A
Common to UIM pads, 1.8V/2.85 V					
V_{IH}	High level input voltage	CMOS/Schmitt	$0.7 \times V_{DD_PX}$	$V_{DD_PX} + 0.3$	V
V_{IL}	Low level input voltage	CMOS/Schmitt	-0.3	$0.2 \times V_{DD_PX}$	V

Table 3-22: Digital I/O Characteristics (Dual-voltage — $V_{DD_PX} = 1.80\text{ V}$ or 2.85 V (nominal))

Parameter		Notes	Min	Max	Units
V_{OH}	High level output voltage	CMOS, at pin-rated drive strength	$0.8 \times V_{DD_PX}$	V_{DD_PX}	V
V_{OL}	Low level output voltage	CMOS, at pin-rated drive strength	0	0.4	V
Common to UIM pad at 1.8 V only					
I_{IH}	Input high leakage current ^a	No pull-down	-	2	μA
I_{IL}	Input low leakage current ^b	No pull-up	-2	-	μA

- a. Pin voltage = V_{DD_PX} max
- b. Pin voltage = GND and supply = V_{DD_PX} max

3.5.3 Internal Device Frequencies

Table 3-23 summarizes the frequencies generated within the AirPrime RC76xx. This table is provided for reference only to the device integrator.

Table 3-23: Internal Device Frequencies

Subsystem / Feature	Frequency	Units
Real Time Clock	32.768	kHz
PCM Audio Interface (PCM Master Mode)	2048	kHz
I ² C Interface	100	kHz
PMIC switching power supplies	1.6	MHz
Fundamental clock	19.2	MHz
PLL	<ul style="list-style-type: none"> • PLL0: 800.0000 • PLL1: 614.4000 • PLL2: 480.0000 • PLL3: 600.6000 • PLL4: 576.0000 • PLL5: 691.2000 • PLL6: Varies (1.2 GHz max) 	MHz
SPI	38	MHz
USB	480	Mb/s

3.6 Processing

3.6.1 Application Core

The Application Core is based on a Cortex A7 32-bit RISC architecture core. It has the following main characteristics:

- Up to 1.3 GHz operation
- Cache:
 - L1: Instruction (32 kB) and Data (32 kB)
 - L2: 256 kB

The Application Core supports Legato™, an open source embedded platform built on ThreadX, which allows the simultaneous safe running of multiple applications.

Refer to [Interfaces Specification on page 55](#) for the list of interfaces supported by this core.

3.6.2 Embedded Memory

The AirPrime RC76xx module includes Flash and RAM embedded memory as detailed in [Table 3-24](#).

Refer to the latest customer release note for any changes regarding embedded memory.

Table 3-24: Embedded Memory Details

Type	Details	Size
Flash	Total	128 MB
	Reserved for Application processor	8 MB
	Minimum number of write cycles	100, 000
RAM	Total	128 MB
	Reserved for Application processor	40 MB

The application processor memory is dedicated to the Legato platform, including:

- ThreadX
- Application framework
- Application

3.6.2.1 Flash Memory

Flash memory is partitioned for use by various elements. Partition APPS can be used by the ThreadX firmware, framework and application. The remaining partitions are reserved for internal use.

Partition: ("sbl") Usage: System bootloader (Internal use)
Partition: ("mibib") Usage: Internal use
Partition: ("backup") Usage: Internal use
Partition: ("security") Usage: Internal use
Partition: ("persist") Usage: Internal use
Partition: ("efs2") Usage: Internal use
Partition: ("tz") Usage: Internal use
Partition: ("devcfg") Usage: Internal use
Partition: ("sec") Usage: Internal use
Partition: ("mba") Usage: Internal use
Partition: ("acdb") Usage: Internal use
Partition: ("rpm") Usage: Internal use
Partition: ("qdsp") Usage: Internal use
Partition: ("apps") Usage: ThreadX system
Partition: ("slot_0") Usage: Internal use
Partition: ("efs2apps") Usage: Internal use

Figure 3-6: Flash Memory Partitions

Follow these instructions to display partition sizes and to determine whether a customer firmware will fit:

1. Connect to the RC7611.
2. Use `Trace32` command. Partition sizes are listed in the 'Start block' and 'Limit' columns.

```
MIBIB partition opened ptr = 0x216410 ::
Partition      Start Block      Limit      Page 0
-----
0:SBL          0x0              0xa        Written
0:MIBIB        0xa              0x14       Written
0:BACKUP       0x14             0x48       Empty
0:SECURITY     0x48             0x59       Empty
0:PERSIST      0x59             0x69       Empty
0:EFS2         0x69             0xd7       Written
0:TZ           0xd7             0xe9       Written
0:DEVCFG       0xe9             0xec       Written
0:APDP         0xec             0xef       Empty
0:MBA          0xef             0xf4       Written
0:ACDB         0xf4             0xf8       Written
0:RPM          0xf8             0xfc       Written
0:QDSP         0xfc             0x253      Written
0:APPS         0x253            0x297      Written
0:SLOT_0       0x297            0x3d2      Empty
0:EFS2APPS     0x3d2            0x400      Written

===== Done =====
```

3. When building an image, use the `swicwe` command to display the sizes of the image components to ensure that they can fit in the associated partitions. For example:

Type	Size (Excluding Header)	Product	Compress	Version
*SPKG	46239368	9X28	0	INTERNAL_?_SWI9X07H_00.01.01.00_??_??_?
*BOOT	408820	9X28	0	SWI9X07H_00.01.01.00 000000 jenkins 2019/10/18 11:04:20
SBL1	408420	9X28	0	SWI9X07H_00.01.01.00 000000 jenkins 2019/10/18 11:04:20
*MODM	41054276	9X28	0	SWI9X07H_00.01.01.00 000000 jenkins 2019/10/18 11:04:20
TZON	934800	9X28	0	SWI9X07H_00.01.01.00 000000 jenkins 2019/10/18 11:04:20

3.6.3 Recovery Mechanism

The AirPrime RC76xx has the capability to automatically detect and recover from various corruption scenarios (for example, corruption may occur when power is abruptly removed from the module).

A backup of the configuration stored in the file system is created before the RC76xx leaves the Sierra Wireless factory. The file system backup can be updated at customer factories using **AT+NVBACKUP**. If a file system corruption is detected, the stored backups are checked and the most recent backup is automatically restored.

To avoid the potential for memory corruption, make sure to always follow the proper power off procedure before removing power from the module. (Figure 4-1 on page 56 illustrates the signal timing details for powering off the module.)

3.6.4 Secure Boot / Secure Debug

AirPrime RC76xx modules incorporate the following permanently enabled features to enhance device security:

- **Secure Boot**—Ensures only firmware images signed by Sierra Wireless can be loaded and run on the RC76xx modules. Specifically, Secure Boot applies to the following firmware components: system boot loader, carrier configuration, and telecom FW.
- **Secure Debug**—Disables debug features such as RAM dump collection and JTAG access to the module.

For additional details, refer to application notes available on <http://source.sierrawireless.com>.

3.7 Mechanical Drawing

The AirPrime RC76xx module's LGA footprint is a 239-pad array of copper pads (see [Physical Dimensions and Connection Interface on page 19](#)). The following drawing illustrates the device footprint and dimensions.

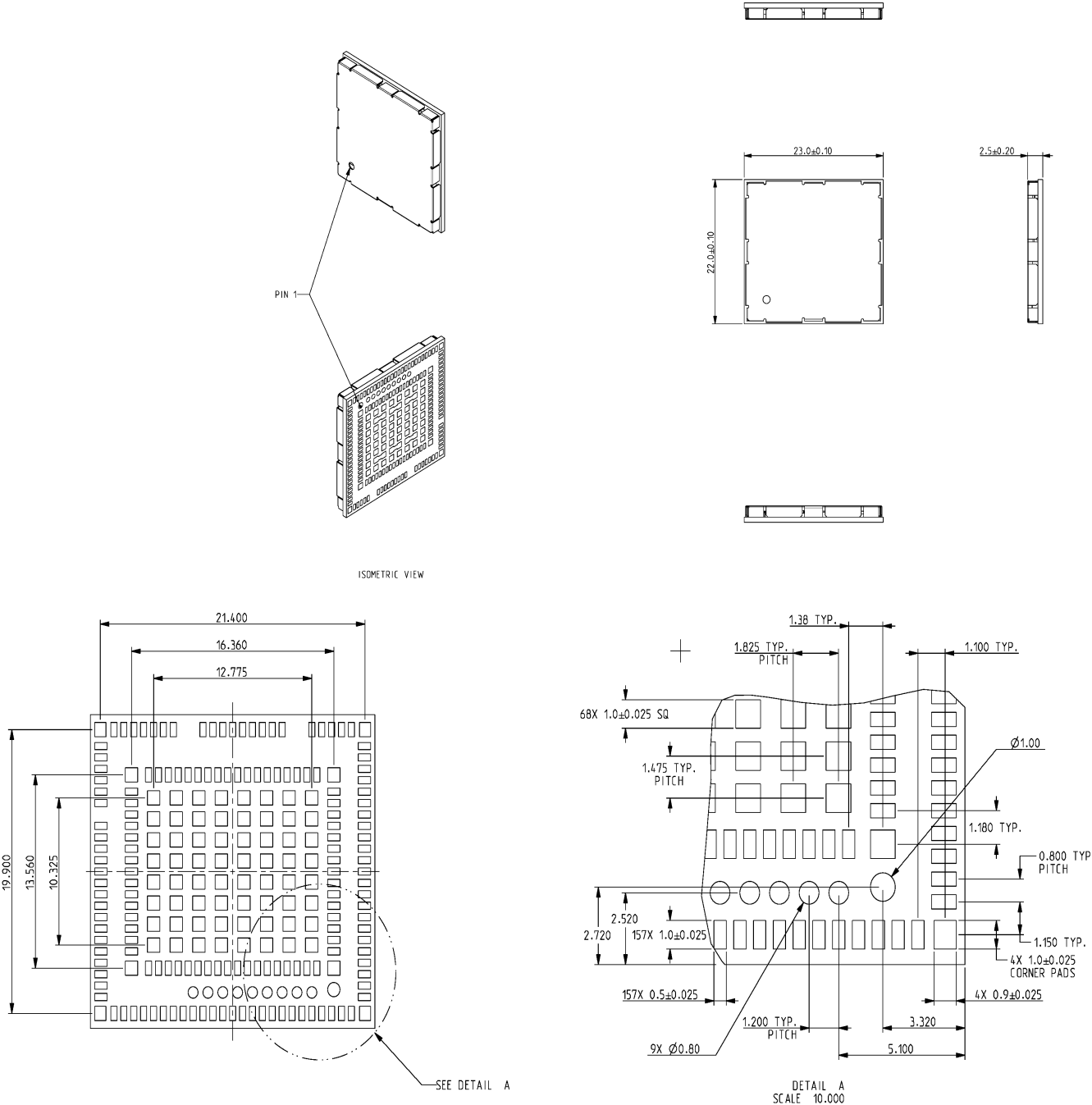


Figure 3-7: Mechanical Drawing

3.8 Mechanical Specifications

The following table describes additional mechanical specifications for the AirPrime RC76xx module.

Table 3-25: Mechanical Specifications

Specification	Value	Notes
Clamping force	20 psi	Maximum clamping force on module over entire shield surface.

>> 4: Interfaces Specification

This section describes the interfaces supported by the AirPrime RC76xx embedded module and provides specific voltage, timing, and circuit recommendations for each interface.

4.1 POWER_ON_N

The AirPrime RC76xx module requires a low level signal (POWER_ON_N) that is used to switch the module ON.

The signal is connected internally to the permanent 1.8V supply regulator inside the module via a pull-up resistor. Once VBAT_BB is supplied to the module, this 1.8V supply regulator will be enabled and so the POWER_ON_N signal is by default at high level.

Table 4-1 describes the POWER_ON_N signal's characteristics.

Table 4-1: POWER_ON_N Electrical Characteristics^a

Parameter	Min	Typ	Max	Units
Input Voltage—Low		-	0.67	V
Internal pull-up resistor	150	200	250	kΩ
POWER_ON_N assertion time ^b	200			ms

a. When floating, voltage will be approximately 800 mV.

b. Assertion time is the time required to keep POWER_ON_N at LOW level to ensure the module can be powered ON successfully.

4.1.1 Power-up Sequence

4.1.1.1 Power On/Off Timing

Note: The host should not drive any signals to the module until >100 ms from the start of the power-on sequence.

Figure 4-1 describes the timing sequence for powering the module on and off.

Note: Before reaching the “Active” state, signals on the host port are considered to be undefined and signal transitions may occur. This undefined state also applies when the module is in reset mode, during a firmware update, or during the power-off sequence. The host must consider these undefined signal activities when designing the module interface.

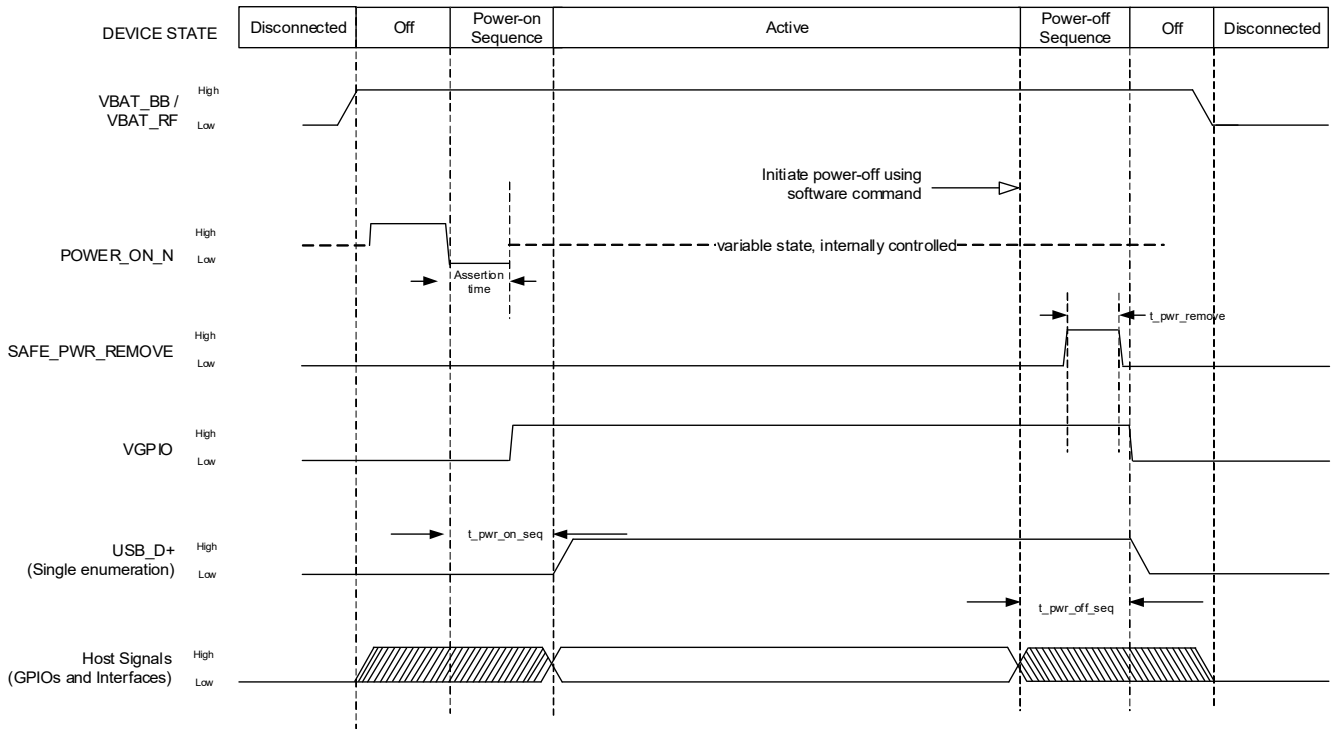


Figure 4-1: Signal Timing (POWER_ON_N, and USB Enumeration)

Table 4-2: POWER_ON_N Timing Parameters

Parameter	Typical	Maximum	Units
t_pwr_on_seq	15	24 ^a	s
t_pwr_off_seq	0.4–5.5	6	s
t_pwr_remove	13	-	ms

a. Value is based on disabled custom parameter “BOOTQUIETDISABLE”. Note that there will be an increase in value if this custom parameter is enabled.

4.1.1.2 USB Enumeration

The unit supports single USB enumeration with the host. Enumeration starts within (maximum) t_pwr_on_seq seconds of power-on.

4.1.2 Software-Initiated Power Down

To power down the module via software:

1. Initiate the power down process using **AT ! POWERDOWN**.
2. Monitor VGPIO.
3. When VGPIO is low, remove power.

4.2 Emergency Power Off

The module can be switched off by controlling the RESET_IN_N pin. This must only be used in emergency situations if the system freezes (not responding to commands).

To perform an emergency power off:

1. De-assert POWER_ON_N.
2. While POWER_ON_N is de-asserted, assert RESET_IN_N (logic low) for at least 8 s. This immediately powers down the module.

4.3 POWER_ON_N, RESET_IN_N and AT!POWERDOWN Use Cases

Table 4-3 lists the behavior of the RC76xx depending on POWER_ON_N, RESET_IN_N and AT!POWERDOWN use cases.

Table 4-3: POWER_ON_N, RESET_IN_N and AT!POWERDOWN Use Cases

Use Case		Behavior
POWER_ON_N	VBATT is applied then POWER_ON_N is asserted	Turns ON
	POWER_ON_N is asserted then VBATT is applied	Turns ON
RESET_IN_N ^a	POWER_ON_N is left asserted then RESET_IN_N is asserted	Resets
	POWER_ON_N is de-asserted then RESET_IN_N is asserted	Resets
	POWER_ON_N is de-asserted then RESET_IN_N is asserted with a long pulse (>8 sec)	Emergency OFF
AT!POWERDOWN	POWER_ON_N is asserted then the power OFF command is sent	Restarts
	POWER_ON_N is de-asserted then the power OFF command is sent	Turns OFF

a. This pin should only be used for emergencies such as when the module stops responding to AT commands.

4.4 Tx Power Control

The module's Tx power limit may be controlled using the following methods:

- SAR backoff AT commands (see document [1] AirPrime RC7611 AT Command Reference):
 - **!SARSTATEDFLT** — Set (or report) the default SAR backoff state that the device uses when it powers up. This setting is persistent across power cycles and overrides any PRI setting.
 - **!SARSTATE** — Set (or report) the current SAR backoff state (override the default state). This change in state is non-persistent across power cycles.
 - **!SARBACKOFF** — Set (or report) the maximum Tx power limit for a specific band / technology / state combination.
- Legato commands:
 - **le_mrc_GetSarBackoffState()** — Get the current SAR Backoff state.
 - **le_mrc_SetSarBackoffState()** — Set the current SAR Backoff state (override the default state). This change is non-persistent across power cycles.
- GPIO control via **!SARGPIO** command (see [1] AirPrime RC7611 AT Command Reference)—Set an unallocated external GPIO to control SAR.

4.5 USB

The AirPrime RC76xx implements a high-speed USB 2.0 Interface, which conforms to Universal Serial Bus Specification, Revision 2.0.

Table 4-4: USB Pin Descriptions

Pin	Signal Name	Direction	Function
12	USB_D-	Input/Output	Differential data interface negative
13	USB_D+	Input/Output	Differential data interface positive
16	USB_VBUS	Input	USB supply voltage

4.6 UART

The AirPrime RC76xx provides two UART interfaces:

- UART1 (primary UART) – 8-wire interface
- UART2 (secondary UART) – 4-wire interface

The UART interfaces are used for data communication between the module and a PC or host processor. These interfaces comply with the RS-232 interface.

Flow control is managed using the UART2_RTS and UART2_CTS signals.

[Table 4-5 on page 59](#) describes the signals used for UART1 and UART2.

Note: UART signals are named with respect to the host device, and directions are listed with respect to the module. For example, UART1_RX is an output from the module to the host. WIFI coex and 8-wire UART concurrency is not supported.

Table 4-5: UART Pins

Pin	Interface	Name ^a	Direction ^b	Function	If Unused	Notes
2	UART1	UART1_RI	Output	Ring Indicator Signal incoming calls (voice and data), SMS, etc.	Leave open	Do not install external pull-up on this pin, otherwise the module will not boot.
3		UART1_RTS	Input	Ready To Send	Leave open	
4		UART1_CTS	Output	Clear To Send	Leave open	
5		UART1_TX	Input	Transmit Data	Leave open	
6		UART1_RX	Output	Receive Data	Leave open	
7		UART1_DTR ^c	Input (active low)	Data terminal ready Prevents the RC76xx from entering USB-SS mode, switches between data mode and command mode, and wakes the module.	Leave open	
8		UART1_DCD	Output	Data Carrier Detect Signal data connection in progress	Leave open	Do not install external pull-up on this pin, otherwise the module will not boot.
9		UART1_DSR	Output	Data Set Ready Signal UART interface is ON	Leave open	Do not install external pull-up on this pin, otherwise the module will not boot.

Table 4-5: UART Pins (Continued)

Pin	Interface	Name ^a	Direction ^b	Function	If Unused	Notes
96	UART2	UART2_TX	Input	Transmit data	Leave open	
97		UART2_RX	Output	Receive data	Leave open	
98		UART2_RTS	Input	Ready To Send, flow control	Leave open	
99		UART2_CTS	Output	Clear To Send, flow control	Leave open	

- a. Signals are named with respect to the host device. For example, UART1_RX is the signal used by the host to receive data from the module.
- b. Signal direction with respect to the module. For example, UART1_RX is an output from the module to the host.
- c. Pin is 'wakeable'. Can be used to trigger the module to wake up from USB-SS mode (low power active state). See [Wakeup Interrupt \(Sleep State\)](#) on page 65 for details.

4.7 UIM Interface

The AirPrime RC76xx has two physical UIM interfaces:

- UIM1 — this interface allows control of external 1.8V/3V UIMs.
- UIM2 — this interface is used to control an eSIM on selected variants.

4.7.1 External UIM1 Interface

[Table 4-6](#) describes the signals used for UIM1.

Table 4-6: UIM1 Interface Pins

Pin	Name	Direction ^a	Function	If Unused
26	UIM1_VCC	Output	Supply output	Leave open
27	UIM1_CLK	Output	Clock	Leave open
28	UIM1_DATA	Input/Output	Data connection	Leave open
29	UIM1_RESET_N	Output	Reset	Leave open
64	UIM1_DET ^b	Input	Detect UIM	Leave open

- a. Signal direction with respect to the module. Examples: UIM1_DET (pin 64) is an input to the module from the host; UIM1_RESET_N (pin 29) is an output from the module to the host.
- b. Pin is 'wakeable'. Can be used to trigger the module to wake up from USB-SS mode (low power active state). See [Wakeup Interrupt \(Sleep State\)](#) on page 65 for details.

Figure 4-2 illustrates the recommended implementation of a UIM holder. (For a more detailed UIM schematic, see Figure 5-4 on page 90.)

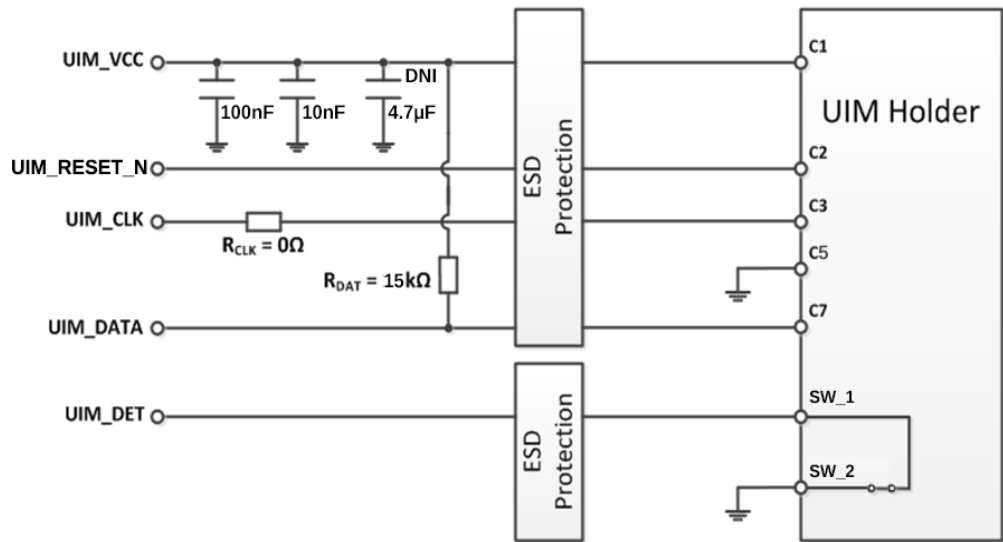


Figure 4-2: Recommended UIM Holder Implementation

The UIM1 Detect signal (UIM1_DET) is used to detect the physical presence of a UIM card in the UIM holder. The signal has a pull-up internal to the module. It should be set to GND when a UIM is not present. All signals near the UIM holder must be ESD-protected.

The UIM Detect signal transitions:

- When a UIM is inserted — high (logic 0 to logic 1)
- When a UIM is removed — low (logic 1 to logic 0)

The capacitor and the two resistors, RCLK and RDAT, should be added as placeholders to compensate for potential layout issues. UIM_DATA trace should be routed away from the UIM_CLK trace. Keep the distance between the module and the UIM holder as short as possible.

An ESD device specifically designed for UIM cards is recommended for the UIM1 VCC, RESET_N, CLK, and DATA signals (for example, STMicroelectronics DALC208SC6). For UIM1_DET a low leakage ESD suppressor should be selected.

4.7.2 eSIM / UIM2 Interface

When an eSIM is mounted on the module, UIM2 signals are directly connected to the eSIM and are not available externally.

Selection of active SIM between UIM1 (external SIM) and UIM2 (eSIM) is possible using AT commands `AT+UIMS` and `AT+CUSTOM="UIMAUTOSWITCH"`. Refer to document [1] AirPrime RC7611 AT Command Reference for more details regarding these commands.

When UIM2 is deselected, the eSIM component is unpowered.

4.7.3 External SIM Switch Configuration

The UIM1 interface can be used with either a single external SIM, or with two external SIMs, using an external switch. The external switch is controlled by GPIO6 (pin 46), and GPIO4 is used to detect the second external SIM.

1 external SIM card

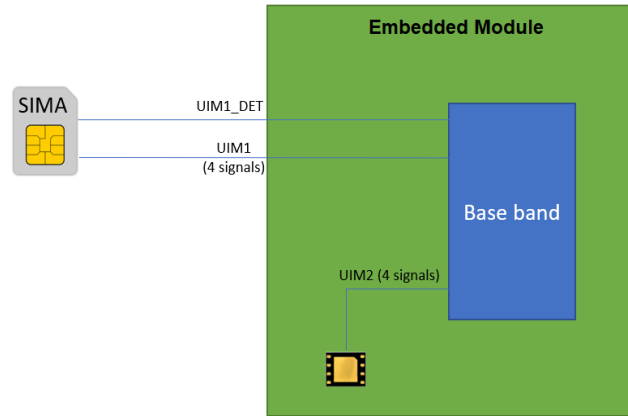


Figure 4-3: Single External SIM Configuration

2 external SIM cards (with 2 dedicated SIM detects)

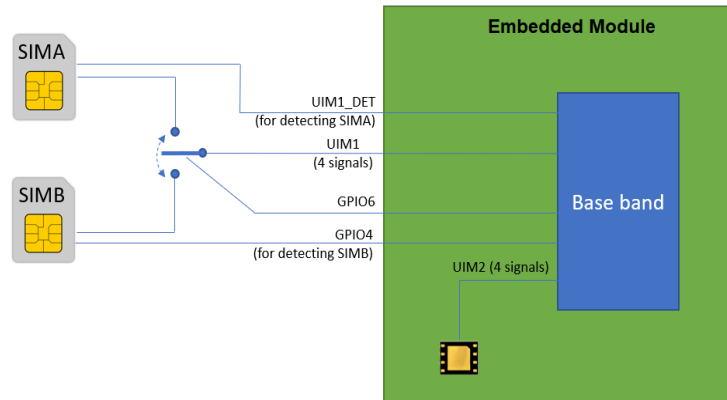


Figure 4-4: Dual External SIM Configuration

4.8 General Purpose Input/Output (GPIO)

The AirPrime RC76xx defines several GPIOs for customer use, as described in [Table 4-7](#). For electrical specifications, see [Table 3-20 on page 46](#) and [Table 3-21 on page 47](#).

Note: There should not be any voltage applied to the GPIOs when the module is off to prevent damaging the module.

Table 4-7: GPIO Pin Description

Pin	Signal Name	Edge Wakeable	Default State	Function	If Unused
10	GPIO2 ^a	Yes	No pull ^b	General purpose I/O	Leave open
40	GPIO7	Yes			
41	GPIO8				
44	GPIO13	Yes			
46	GPIO6 ^c	Yes			
65	GPIO4				
101	GPIO35	Yes			
104	GPIO32				
105	GPIO33				
109	GPIO42 ^a	Yes			
147	GPIO21 ^a	Yes			
148	GPIO22	Yes			
149	GPIO23				
150	GPIO24	Yes			
153	GPIO28 ^d				
154	GPIO29 ^d				
155	GPIO30 ^d				
156	GPIO31 ^d				
159	GPIO25				

- Pin is 'wakeable'. Can be used to trigger the module to wake up from USB-SS mode (low power active state). See [Wakeup Interrupt \(Sleep State\) on page 65](#) for details.
- Internal configuration of all GPIOs—no internal pull-ups.
- See [GPIO6 on page 64](#)
- This pin is available for use when configured using `AT+WIOCFG`.

4.9 GPIO6

GPIO6 can be used for three different functions as described below. Refer to [1] AirPrime RC7611 AT Command Reference for AT command details to configure GPIO6.

4.9.1 General Purpose Input / Output

To configure this pin as a GPIO:

1. Disable external SIM switch feature using `AT!CUSTOM="EXTUIMSWITCHEN",0`.
2. Configure GPIO6 using `AT+WIOCFG=6,4`.
3. Reboot the module.

4.9.2 SIM Switching

To use this pin for fast SIM switching, enable the feature using `AT!CUSTOM="EXTUIMSWITCHEN",1`.

4.9.3 Reset Out

This pin can be used to provide a signal that will hold peripheral devices (such as a USB hub, I²C device, etc.) in reset until the power-up sequence is complete.

To configure this pin as Reset:

1. Disable external SIM switch feature using `AT!CUSTOM="EXTUIMSWITCHEN",0`.
2. Configure GPIO6 using `AT+WIOCFG=6,0`.
3. Reboot the module.

When the module is:

- In reset or powering up — this pin is held low to put peripheral devices in reset. Once the power-on sequence is complete, this pin will be turned high to take the peripherals out of reset.
- In PSM — this pin will be floating. A default pull-up or pull-down may be necessary depending on the application.

4.10 Wakeup Interrupt (Sleep State)

The following pins can be used to wake the device when it is in Sleep state (low-power state):

- GPIO2
- GPIO21
- GPIO42
- UART1_DTR
- UIM1_DET

The GPIO pins can be configured as a wakeup source by using the AT+WIOCFG command (see [1] AirPrime RC7611 AT Command Reference).

If the device firmware is monitoring these pins while the device is in USB-SS mode, any transition on these pins will wake the device. Note that the UIM1_DET pin transitions high when a UIM is installed, and low when a UIM is removed.)\

Note: These signals wake the device when it is in Sleep state (a low-power ACTIVE state where the module is fully powered). If the device is in PSM, it is woken by configured wakeup triggers—see [Wakeup Events \(PSM\)](#) for details.

4.11 Wakeup Events (PSM)

The following signals/sources can be used to wake the device from PSM:

Table 4-8: PSM Wakeup Signals/Sources

Signal Configuration	Signal
Configurable	Timer
Always enabled	POWER_ON_N

Note: These signals wake the device only when it is in PSM. If the device is in Sleep state (a low-power ACTIVE state where the module is fully powered), it can be woken using the signals described in [Wakeup Interrupt \(Sleep State\)](#) on page 65.

For PSM details, see [Table 3-5 on page 28](#).

4.12 I²C Interface

The AirPrime RC76xx module provides one I²C (Inter-Integrated Circuit) dedicated serial port (bus interface) based on [6] I2C Bus Specification, Version 5.0, October 2012.

The interface uses the pins indicated in [Table 4-9](#).

Table 4-9: I²C Interface Pins

Pin	Signal Name	Direction	Function	If Unused
1	I2C1_CLK	Input/Output	I ² C Clock	Leave open
66	I2C1_DATA	Input/Output	I ² C Data	Leave open

This implementation of the I²C interface includes the following characteristics:

- Supported voltage — 1.8 V
- Standard-mode interface — data transfer rates up to 100 kbit/s
- Master mode operation only — the module always operates as the master
- I²C signals are implemented internally as open drain outputs (per the I²C specification) with 2.2 k Ω pull-up resistors to VGPIO (see [Figure 4-5 on page 66](#)).

Note: I²C slave address 0x1A is reserved for internal use.

For I²C bus details, including I2C bus waveform and timing details, refer to the I2C Bus Specification.

4.12.1 Application

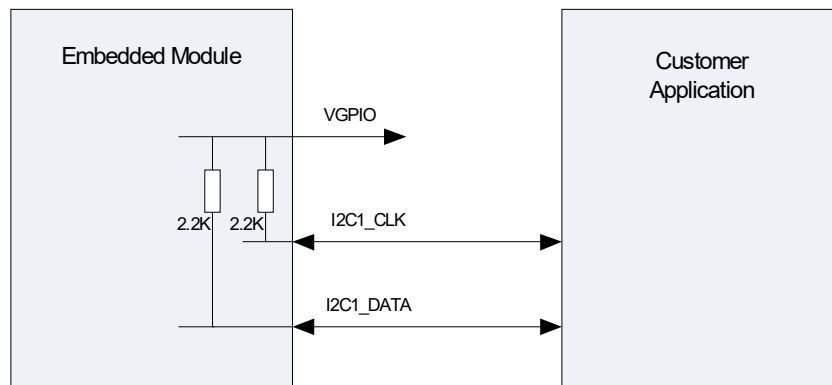


Figure 4-5: Example of I²C Bus Application

4.13 VGPIO

The AirPrime RC76xx utilizes 1.8V logic, provided via the VGPIO (GPIO voltage output) pin.

Table 4-10: VGPIO Reference Pin

Pin	Signal Name	Direction ^a	Function	If Unused
45	VGPIO	Output	GPIO voltage output	Leave open

a. Signal direction with respect to the module—VGPIO (pin 45) is an output from the module to the host.

Table 4-11: VGPIO Electrical Characteristics

Parameter	Min	Typ	Max	Unit	Remarks
Voltage level	1.7	1.8	1.9	V	Applies to active mode and USB-SS mode
Current capability	-	-	50	mA	Power Management support up to 50 mA output

The VGPIO pin is available when the module is switched ON, and can be used to:

- Pull up signals such as I/Os
- Supply external digital transistors driving LEDs
- Act as a voltage reference for the ADC interfaces

4.14 Reset Signal (RESET_IN_N)

The AirPrime RC76xx provides an interface to allow an external application to reset the module.

Table 4-12: RESET_IN_N Pin

Pin	Signal Name	Direction ^a	Function	If Unused
11	RESET_IN_N	Input	External Reset Input	Leave open

- a. Signal direction with respect to the module—RESET_IN_N (pin 11) is an input to the module from the host.

The RESET_IN_N signal is internally pulled-up with an internal resistor. An open collector transistor or equivalent should be used to ground the signal when necessary to reset the module.

To reset the module, a low level pulse must be sent on the RESET_IN_N pin for 32 ms. This will immediately restart the module with the POWER_ON_N signal at low level.

The RESET_IN_N signal will reset the registers of the CPU and reset the RAM memory as well, for the next power on.

Note: Using RESET_IN_N to reset the module could result in memory corruption if used inappropriately. This signal should only be used if the module has become unresponsive and it is not possible to perform a power cycle.

Table 4-13: Reset Timing

Symbol	Parameter	Min	Typ	Max
Trdet	Duration of RESET_IN_N signal before firmware detects it (debounce timer)	-	32 ms	-
Trlen	Duration reset asserted	42 ms	-	∞
Trdel	Delay between minimum Reset duration and internal reset generated	-	500 ms	-

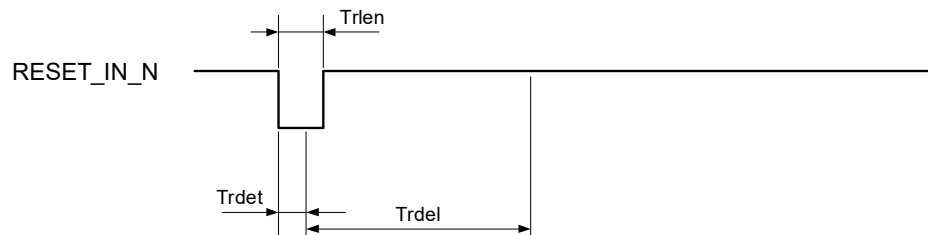


Figure 4-6: Illustration of Reset Timing When RESET_IN_N < Trdel

4.15 ADC

The AirPrime RC76xx provides two general purpose ADC (Analog to Digital Converter) inputs, as described [Table 4-14](#) and [Table 4-15](#).

Table 4-14: ADC Interface Pins

Pin	Signal Name	Direction ^a	Function	If Unused
24	ADC1	Input	Analog to Digital Converter	Leave open or Ground
25	ADC0	Input	Analog to Digital Converter	Leave open or Ground

a. Signal direction with respect to the module. Example: ADC1 (pin 24) is an input to the module from the host.

Table 4-15: ADC Interface Characteristics

Parameter	Value	Units
Full-scale voltage level	0.1–1.7	V
Resolution	15	bit
Sample rate	1.15	ksps
Voltage error	8 (Typ), 16 (Max)	mV

4.16 Digital Audio

The AirPrime RC76xx provides a 4-wire digital audio interface that can be configured as either PCM (Pulse Code Modulation) or I²S (Inter-IC Sound).

[Table 4-16 on page 69](#) describes the audio interface signals.

Note: Audio availability is firmware-dependent.

Table 4-16: PCM/I²S Interface Signals

Pin	Signal name	Direction ^a	Function	If Unused
33	PCM_OUT	Output	PCM Data Out The frame “data out” relies on the selected configuration mode.	Leave open
	I2S_OUT	Output	I2S Data Out The frame “data out” relies on the selected configuration mode.	
34	PCM_IN	Input	PCM Data In The frame “data in” relies on the selected configuration mode.	Leave open
	I2S_IN	Input	I2S Data In The frame “data in” relies on the selected configuration mode.	

Table 4-16: PCM/I²S Interface Signals (Continued)

Pin	Signal name	Direction ^a	Function	If Unused
35	PCM_SYNC	Input/Output	PCM Sync The frame synchronization signal delivers an 8 kHz frequency pulse that synchronizes the frame data in and the frame data out.	Leave open
	I2S_WS	Output	I2S Word Select The word select clock indicates which channel is currently being transmitted (low cycle indicates left audio channel, high cycle indicates right audio channel).	
36	PCM_CLK	Input/Output	PCM Clock The frame bit clock signal controls data transfer with the audio peripheral.	Leave open
	I2S_CLK	Output	I2S Clock The frame bit clock signal controls data transfer with the audio peripheral.	

a. Signal direction with respect to the module. Examples: PCM_IN (pin 34) is an input to the module from the host; PCM_OUT (pin 33) is an output from the module to the host.

4.16.1 PCM

Table 4-17 defines the PCM interface configuration.

Table 4-17: PCM Interface Configurations

Element	PCM
Slot configuration	Slot-based
Sync type	Short
Clock (in Master mode)	2.048 MHz
Data formats	16-bit linear, 8-bit A-law, 8-bit mu-law
Mode	Master

4.16.1.1 Data Format

The PCM data is 8 kHz and 16 bits with the following PDM (Pulse-density modulation) bit format:

- PCM_DIN – SDDD DDDD DDDD DDVV
- PCM_DOUT – SDDD DDDD DDDD DDVV

Where:

- S – Signed bit
- D – Data
- V – Volume padding

4.16.1.2 Timing

The following table and drawings illustrate PCM signals timing when operating in PCM mode.

Table 4-18: PCM Mode Timing^a

Parameter	Description	Min	Typ	Max	Units
t(sync)	PCM_SYNC cycle time	-	125	-	µs
t(synch)	PCM_SYNC high time	-	488	-	ns
t(sync _l)	PCM_SYNC low time	-	124.5	-	µs
t(clk)	PCM_CLK cycle time	-	488	-	ns
t(clkh)	PCM_CLK high time	-	244	-	ns
t(clkl)	PCM_CLK low time	-	244	-	ns
t(susync)	PCM_SYNC setup time high before falling edge of PCM_CLK	-	122	-	ns
t(sudin)	PCM_IN setup time before falling edge of PCM_CLK	60	-	-	ns
t(hdin)	PCM_IN hold time after falling edge of PCM_CLK	10	-	-	ns
t(pdout)	Delay from PCM_CLK rising to PCM_OUT valid	-	-	60	ns
t(zdout)	Delay from PCM_CLK falling to PCM_OUT HIGH-Z	-	160	-	ns

a. Maximum PCM clock rate is 2.048 MHz.

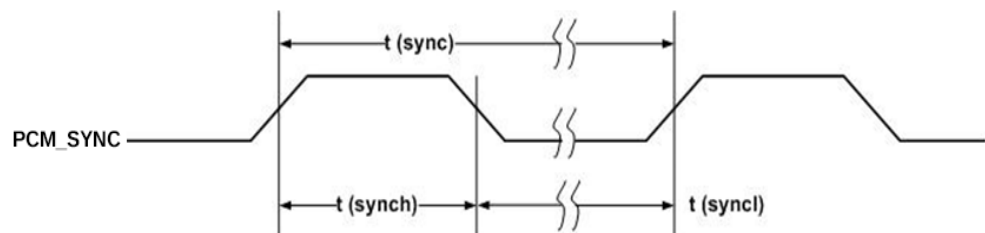


Figure 4-7: PCM_SYNC Timing Diagram (2048 kHz clock)

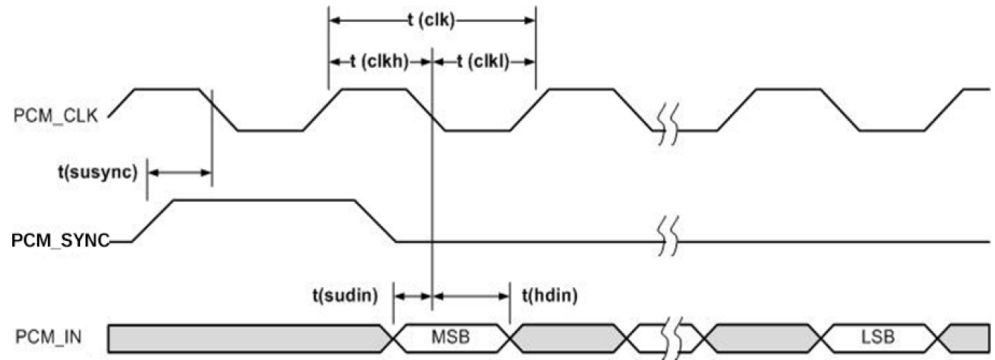


Figure 4-8: PCM Codec to Device Timing Diagram

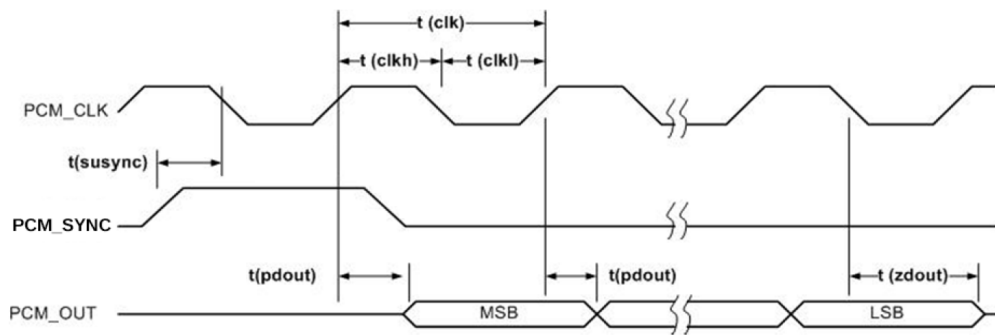


Figure 4-9: Device to PCM Codec Timing Diagram

4.16.2 I²S

The I²S interface can be used to transfer serial digital audio to or from an external stereo DAC/ADC and supports the following features:

- Mode: Master (Slave mode is not supported)
- Sampling rate: 8 kHz
- Bits per frame: 16
- Bit clock: 256 kHz

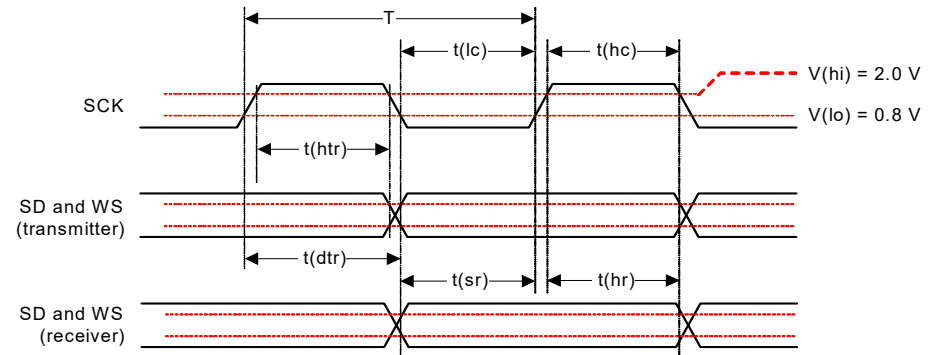


Figure 4-10: I²S Transmitter Timing

Table 4-19: I²S Interface Timing^a

Parameter	Description	Min	Typ	Max	Units
	Frequency	-	-	12.288	MHz
T	Clock period	81.380	-	-	ns
t(hc)	Clock high	0.45×T	-	0.55×T	ns
t(lc)	Clock low	0.45×T	-	0.55×T	ns
t(sr)	SD and WS input setup time	16.276	-	-	ns
t(hr)	SD and WS input hold time	0	-	-	ns
t(dtr)	SD and WS output delay	-	-	65.100	ns
t(htr)	SD and WS output hold time	0	-	-	ns

a. Load capacitance is 10–40 pF

4.17 SPI Bus

The AirPrime RC76xx module provides one 4-wire serial peripheral interfaces (SPI1).

The following features are available on the SPI bus:

- Mode: Master (Slave mode is not supported)
- SPI speed from 960 kbps to 25 Mbps in master mode operation
- 4-wire interface
- 4 to 32 bits data length
- 38 MHz clock frequency

[Table 4-20 on page 73](#) describes the SPI interface pins.

Table 4-20: SPI Pin Descriptions

Pin	Signal Name	Direction ^a	Description	Reset State	I/O Type
51	SPI1_MRDY	Output	SPI Master Ready	Z	1V8
52	SPI1_MISO	Input	SPI Master Input/Slave Output (output from slave)	Z	
53	SPI1_CLK	Output	SPI serial clock (output from Master)	Z	
54	SPI1_MOSI	Output	SPI Master Output/Slave Input (output from master)	Z	

a. Signal direction with respect to module. Examples: SPI1_MISO (pin 52) is an input to the module from the host; SPI1_CLK (pin 53) is an output from the module to the host.

4.17.1 Configuration

Table 4-21: SPI Configuration

Operation	Max Speed	SPI-Mode	Duplex	4-wire Type
Master	25 Mb/s	0,1,2,3	Full	<ul style="list-style-type: none"> SCLK (SPI1_CLK) MOSI (SPI1_MOSI) MISO (SPI1_MISO) SS (SPI1_MRDY)

4.17.2 Waveforms

The following figure shows waveforms for SPI transfer using a 4-wire configuration.

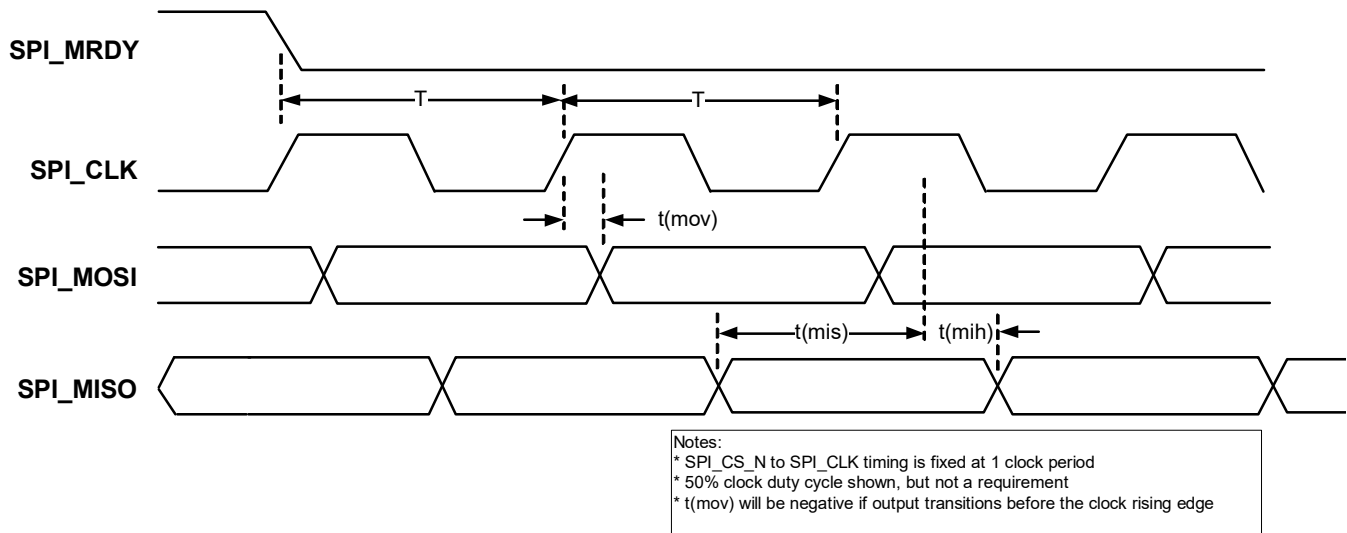


Figure 4-11: 4-Wire Configuration SPI Transfer

Table 4-22: SPI Master Timing Characteristics (@38 MHz)

Parameter	Min	Typ	Max	Unit	
SPI clock frequency	-	-	38	MHz	
T^a	SPI clock period		20.0	-	ns
t(ch)	Clock high		9.0	-	ns
t(cl)	Clock low		9.0	-	ns
t(mov)	Master output valid		-5.0	-	ns
t(mis)	Master input setup		5.0	-	ns
t(mih)	Master input hold		1.0	-	ns

a. Minimum clock period includes 1% jitter of the maximum frequency

4.17.3 Application

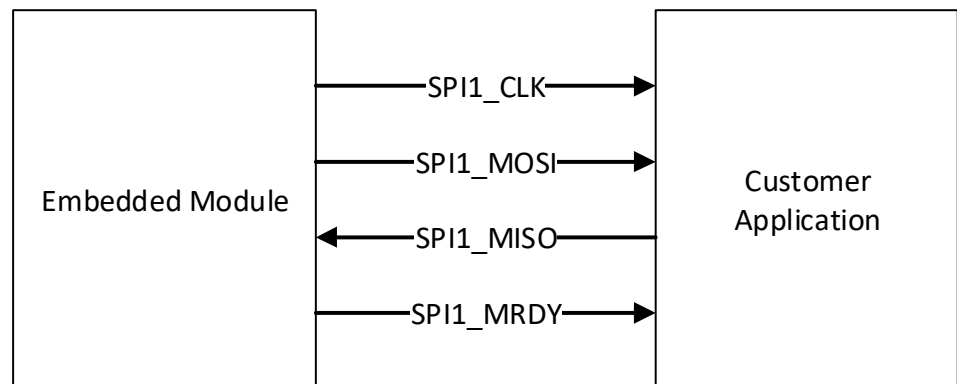


Figure 4-12: Example of 4-wire SPI Bus Application

4.18 Clock

The AirPrime RC76xx supports two digital clock interfaces that are connected directly from the PMIC.

[Table 4-23](#) describes the clock interface pins.

Table 4-23: Clock Interface Pin Descriptions

Pin	Signal Name	I/O	I/O Type	Description	If Unused
22	SYS_CLK	Output	1.8V	19.2 MHz digital clock output	Leave open
23	SLEEP_CLK	Output	1.8V	32.768 kHz digital clock output	Leave open

4.19 TP1 (Boot Pin)

The TP1 pin (boot pin) can be used for two primary purposes:

- The pin can be used to force the module to enter boot-loader mode on power-up— Connect the pin to a control mechanism (for example, a button, switch, or jumper) on the host platform, and use this mechanism to assert (drive low) the TP1 pin on power-up. The boot loader monitors the TP1 pin and when it detects a low signal, prevents normal power-up and prepares to download firmware via the DM port.

When the module has restarted and entered boot-loader mode, make sure to de-assert the TP1 pin. When the firmware download finishes, the module reboots automatically and the de-asserted pin allows the module to boot normally.

- If not connected to a control mechanism, at minimum the pin should be connected to a test point on the host platform, for use by Sierra Wireless in RMA debugging.

Note: Firmware downloads also occur using software tools available on <http://source.sierrawireless.com> or over the air using an AirVantage server.

Table 4-24: TP1 Pin Description

Pin	Name	Direction	Function	If Unused
47	TP1	Input	Device recovery (boot load)	Mandatory test point

4.20 Temperature Monitoring

The AirPrime RC76xx provides internal temperature monitoring of the module's baseband thermistor, as detailed below in [Figure 4-13](#) and [Table 4-25](#).

The temperature state can be queried directly, and unsolicited notifications of temperature state transitions can be received by using:

- **AT!PATEMP** — Display the current temperature state (normal, hi or low warning, hi or low critical).
- **AT+WUSLMSK** — Enable unsolicited notifications for **!PATEMP**, to be received over the AT port whenever the state changes.

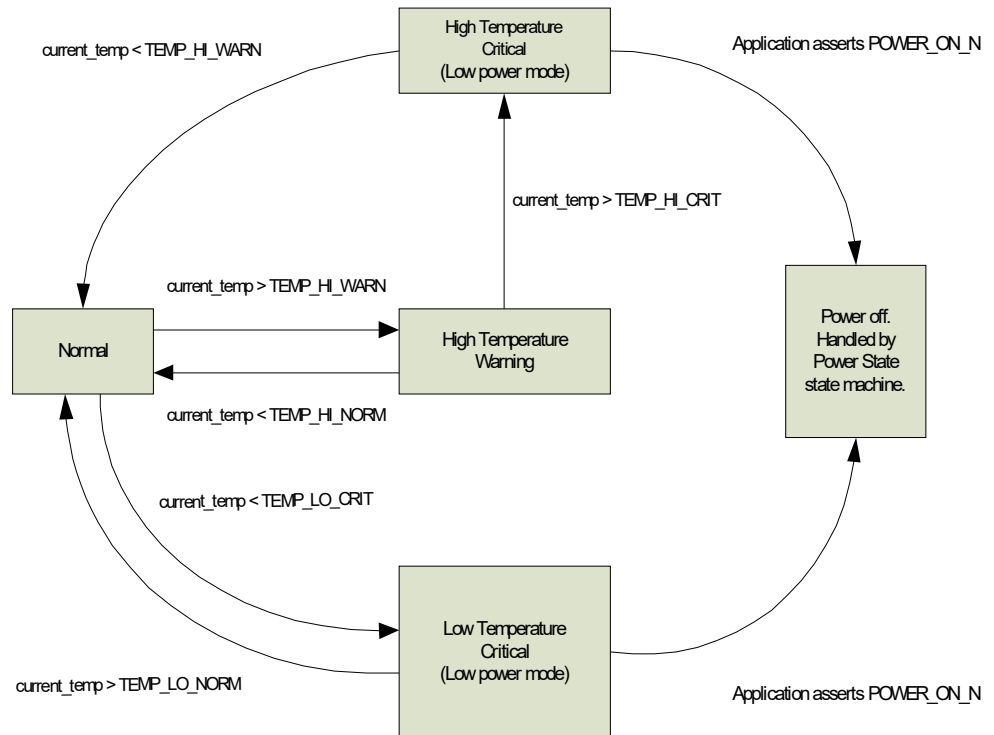


Figure 4-13: Temperature Monitoring State Machine

Table 4-25: Temperature Monitoring States

State	Description	Threshold	Default Temp Value (C) ^a	Functionality
Normal	Baseband thermistor is between	TEMP_HI_NORM	+100	Class A
		TEMP_LO_NORM	-40	Class B
High Temperature Warning	Baseband thermistor has exceeded	TEMP_HI_WARN	+110	Class B
High Temperature Critical	Baseband thermistor has exceeded	TEMP_HI_CRIT	+115	Low Power Mode
Low Temperature Critical	Baseband thermistor has descended past	TEMP_LO_CRIT	-45	Low Power Mode

a. Junction (PA thermistor) temperature

To restore full operation, the baseband thermistor's temperature reading must be within the normal or high temperature warning state thresholds.

4.21 Test Pins

Sierra Wireless requires test points on the customer application for Sierra Wireless RMA and debug service.

Table 4-26: Test Pin Descriptions

Pin	Name	Function	If Unused
236	J1	Test point	Mandatory test point
237	J2	Test point	Mandatory test point
238	J3	Test point	Mandatory test point
239	J4	Test point	Mandatory test point
240	J5	Test point	Mandatory test point
241	J6	Test point	Mandatory test point
242	J7	Test point	Mandatory test point
243	J8	Test point	Mandatory test point
244	J9	Test point	Mandatory test point

4.22 Antenna Control

Note: Antenna control signals support is optional.

The AirPrime RC76xx provides four output signals that can be used for host designs that incorporate tunable antennas.

Note: It is the responsibility of developers of host designs to evaluate the performance of tunable antennas that use these signals for neighbor cell measurements, Inter-RAT handovers, etc. Sierra Wireless does not guarantee ANT_CNTLx signal timing.

Note: These pins can be configured for use as GPIOs using +WIOCFG.

Table 4-27: Antenna Control Signals

Pin	Name	Direction ^a	Function	If Unused
153	ANT_CNTL0	Output	Customer-defined external switch control for tunable antennas	Leave open
154	ANT_CNTL1	Output		Leave open
155	ANT_CNTL2	Output		Leave open
156	ANT_CNTL3	Output		Leave open

a. Signal direction with respect to module. Examples: ANT_CNTL0 (pin 153) is an output from the module to the host.

To tune the antenna:

1. Enable band selection, which is required to tune the antennas for specific bands:
AT!CUSTOM="BANDSELEN", 1
 Note that this setting is persistent unless disabled by issuing **AT!CUSTOM="BANDSELEN", 0**.
2. Drive the antenna control signals high or low, as required, for a specific band:
AT!ANTSEL=<band>, <gpio1>, <gpio2>, <gpio3>[, <gpio4>]
 See [1] AirPrime RC7611 AT Command Reference for details.
 Note that <gpio1>–<gpio4> correspond to ANT_CTRL0–ANTCTRL3.

4.23 Indication Interfaces

The AirPrime RC76xx provides several indication interfaces that deliver notifications when specific events occur. These interfaces include:

- [Tx Activity Indicator \(TX_ON\) on page 79](#)
- [WWAN_LED_N on page 79](#)
- [WAKE_ON_WWAN on page 80](#)
- [Ring Indicator on page 80](#)
- [SAFE_PWR_REMOVE on page 81](#)
- [UIM1_DET on page 81](#)

4.23.1 Tx Activity Indicator (TX_ON)

The AirPrime RC76xx provides a digital output signal to indicate the occurrence of Tx activity.

Table 4-28: Tx Activity Indicator States

Pin	Signal Name	Direction ^a	I/O Type	Module State	Signal State
60	TX_ON	Output	1.8V	During Tx activity	High
				No Tx	Low

a. Signal direction with respect to module—TX_ON (pin 60) is an output from the module to the host.

Table 4-29: Tx Activity Indicator Characteristics

Parameter	Time
T _{advance}	10.5 ms
T _{delay}	4 ms

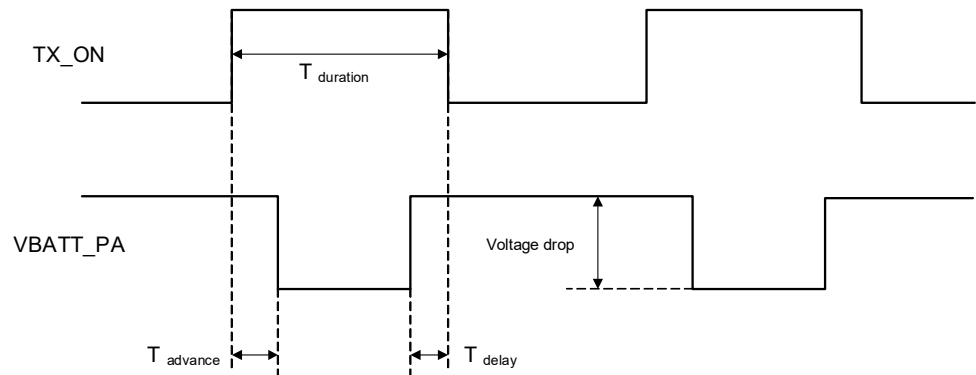


Figure 4-14: TX_ON State During Transmission

4.23.2 WWAN_LED_N

The AirPrime RC76xx provides an LED control output signal pad. This signal is an open drain output.

Table 4-30: LED Interface Pin

Pin	Signal Name	Direction ^a	Voltage / Current	Function	If Unused
106	WWAN_LED_N	Output	<ul style="list-style-type: none"> Voltage (max)=VBAT_BB + 0.5 V Maximum current sink capability=40 mA 	LED driver control	Leave open

a. Signal direction with respect to module—WWAN_LED_N (pin 106) is an output from the module to the host.

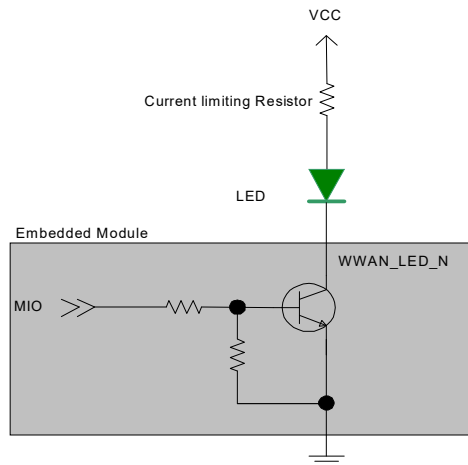


Figure 4-15: LED Reference Circuit

4.23.3 WAKE_ON_WWAN

Note: Host support for WAKE_ON_WWAN signal is optional.

The AirPrime RC76xx drives WAKE_ON_WWAN high to wake the host when specific events occur.

See [Figure 4-16 on page 80](#) for a recommended implementation.

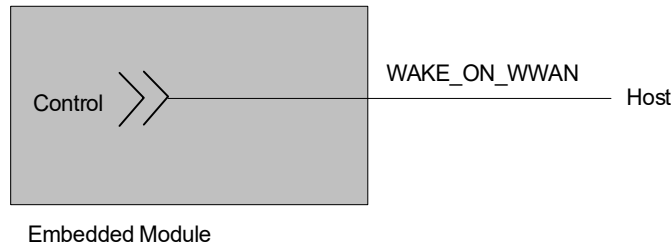


Figure 4-16: Recommended WAKE_ON_WWAN Connection

4.23.4 Ring Indicator

The ring indicator (UART1_RI) may be used to notify an external application of several events such as an incoming call, timer expiration, or incoming SMS. The AirPrime RC76xx pulses the signal high when an event occurs.

Table 4-31: UART1_RI Pin

Pin	Name	Direction ^a	Function	If unused
2	UART1_RI ^b	Output	<ul style="list-style-type: none"> Ring Indicator Signal incoming calls (voice and data), SMS, etc. 	Leave open

- a. Signal direction with respect to the module—UART1_RI (pin 2) is an output from the module to the host.
- b. Do not install an external pull-up on this pin, otherwise the module will not boot.

For additional details, refer to the Legato API documentation at <http://legato.io>.

4.23.5 SAFE_PWR_REMOVE

The SAFE_PWR_REMOVE signal is used by AirPrime RC76xx to indicate to the host device that VBAT_BB/VBAT_RF can be removed. The signal is driven high when it is safe to remove the power supply.

4.23.6 UIM1_DET

The UIM Detect signal (UIM1_DET) is used to detect the physical presence of a UIM card in the UIM holder. For details, refer to [UIM Interface on page 60](#).

4.24 DR_SYNC

The AirPrime RC76xx provides DR_SYNC, an output used for GPS dead reckoning synchronization.

The module pulses the DR_SYNC signal once every integer GPS second. While position fixes are occurring, the DR_SYNC pulse is aligned precisely with the GPS time. When a position fix cannot be made (for example, when a vehicle has entered a tunnel), the module continues to pulse the DR_SYNC signal every second while the level of uncertainty of the GPS time is low. When the uncertainty level is high, the module stops pulsing the signal.

Table 4-32: DR_SYNC Pin Details

Pin	Signal Name	Direction ^a	Function	If Unused
42	DR_SYNC	Output	GPS dead reckoning sync signal	Leave open

a. Signal direction with respect to the module—DR_SYNC (pin 42) is an output from the module to the host.

4.25 W_DISABLE_N—Wireless Disable

Note: Host support for wireless disable signals is optional.

The host device uses W_DISABLE_N (pin 151) to enable / disable the WWAN or radio modem. When disabled, the modem cannot transmit or receive information.

Letting this signal float high allows the module to operate normally. The pin has an internal pull-up resistor. See [Figure 4-17](#) for a recommended implementation.

When integrating with your host device, keep the following in mind:

- The signal is an input to the module and should be driven LOW only for its active state (controlling the power state); otherwise it should be floating or (High impedance). It should never be driven to a logic high level. The module has an internal pull-up resistor to an internal 1.8V rail, so if the signal is floating or (high impedance), then the radio is on.
- If the host never needs to assert this power state control to the module, leave this signal unconnected from the host interface.

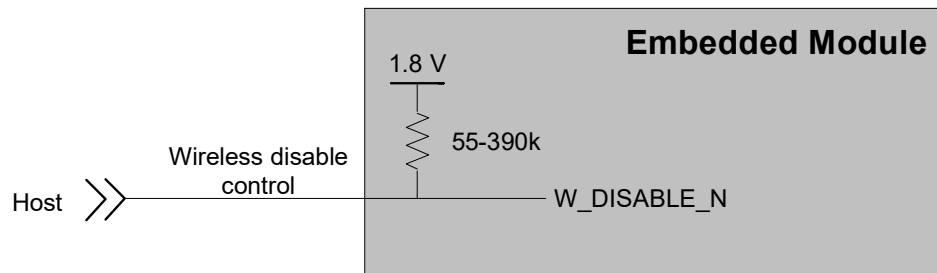


Figure 4-17: Recommended Wireless Disable Connection

>> 5: Routing Constraints and Recommendations

This section describes general routing constraints and recommendations for the AirPrime RC76xx module.

Note: This is a non-exhaustive list of suggested design guidelines. The developer is responsible for deciding whether to implement these guidelines.

5.1 General Rules and Recommendations

Clock and other high-frequency digital signals (e.g. serial buses) should be routed as far as possible from the module's analog signals.

If the application design makes it possible, all analog signals should be separated from digital signals by a ground trace on the PCB.

Tip: Avoid routing any signals under the module on the application board.

5.2 Power Supply

When designing the power supply, make sure that VBAT_BB/VBAT_RF meet the requirements listed in [Power Supply Ratings on page 25](#).

Careful attention should be paid to the following:

- Power supply quality — PFM, or PSM systems should be avoided; Low ripple, linear regulation or PWM converters are preferred for low noise.
- Capacity to deliver high current peaks in a short time (for pulsed radio emission)
- VBAT_BB/VBAT_RF must support peak currents with an acceptable voltage drop that guarantees the minimum required VBAT_BB/VBAT_RF value.
- VBAT_BB/VBAT_RF signal pads must never exceed the maximum required VBAT_BB/VBAT_RF value, otherwise the module's power amplifier and GPS chipset may be severely damaged.
- A weakly-designed (not robust) power supply could affect EMC performance, the emission spectrum, and the phase error and frequency error.

5.3 Antenna

Sierra Wireless strongly recommends working with an antenna manufacturer either to develop an antenna adapted to the application, or to adapt an existing solution to the application.

For information on routing constraints for the RF circuit, see [RF Circuit on page 87](#).

5.3.1 OTA Considerations when Developing Products that Include an Integrated Antenna

Developing a product with an integrated antenna is challenging considering RF design and performances; difficulty increases with the level of integration. Smaller product size implies:

- The smaller the antenna, the more challenging to reach the expected antenna efficiency.
- Large RF TX signal level radiated by the antenna can be captured by nonlinear devices and create, by rectification, a high level of unwanted harmonics.
- As much as the distance between the antenna and electronic devices (including the module and other application related hardware) decreases, coupling to clocks and DC/DC switchers harmonics and wide band noise sources generated by high speed digital signals increases. Such a coupling may create receiver desensitization from the resulting noise generated at the receiver frequency bands.

It is essential to take into account appropriate design rules when developing new products and to evaluate OTA performances at an early stage of product integration:

- TRP (Total Radiated Power): To verify the antenna efficiency at TX frequency bands and compliance to spurious emission requirements.
- TIS (Total Isotropic Sensitivity): To verify the antenna efficiency at RX frequency bands and evaluate the presence of noise generated into supported frequency bands subject to cause receiver desensitization.

5.4 PCB Layout Recommendations

5.4.1 General Design Rules

- Application board should be designed in such a way that provides a plain GND connection on the whole surface located under the module area. A matrix of high density vias should be implemented to connect the top layer (in contact to the module LGA ground pads) to other GND layers. Such implementation aims to reduce noise interference, spurious radiation and improve heat dissipation spreading heat through the PCB surface and layers.
- To reduce coupling between antenna and other signals and improve EMC, the top and bottom layers of the PCB should be covered by solid GND plan as much as possible.
- Good PCB grounding is essential; use ground planes that are as wide as possible and link the different planes from each layers using regularly spaced via holes. Particularly, via should be present all around the PCB edge to block any unwanted EMI emitted from the power planes.
- Sensitive signals should be shielded by routing them into inner layers (to prevent them from radiating) and sensitive components can be shielded. The top and bottom ground plans connected together with vias ensures all sensitive traces are shielded well. This significantly reduces coupling between antenna and other signals and improves EMI and EMC performances.
- When it is not possible to route a signal trace into inner layers, top and bottom layers can be used for short distance connections (i.e. connections between adjacent pads).

- It is good practice during the design phase to anticipate and reserve area for shield cans.
- The module's power supply needs decoupling capacitors to filter out noise to prevent it from reaching the module. It could cause instabilities in the RF output in the transmitter, resulting in undesired interference and spurious radiations. In the receiver, it increases packet error and reduces sensitivity.
- Place a decoupling capacitor (10–33pF is recommended) as close to the power supply pin of the module as possible.
- Use as many vias as possible to build a ground fence around the RF stripline and microstrip line to isolate it from other signals.
- In some specific cases, like impedance controlled lines and RF connection pads and antenna pads, sufficient keep out distance between RF signals and GND should be implemented to prevent impedance mismatch from parasitic capacitance load.

5.4.2 Specific Design Rules to Support TRP Performances

- Prevent neighboring components from being interfered by TX radiated RF energy to prevent them from generating harmonics through non-linear behavior such as saturation or rectification. The mandatory maximum radiated harmonics level for R&TTE/PTCRB certification is below -30dBm and can be very easily failed with inappropriate design.
- When possible, add 10–33pF in parallel of each fast rectifier diode to prevent generating harmonics (due to the TX signal detection).
- With an antenna located close to circuitry using active devices, shielding may be needed to reach enough isolation.

5.4.3 Specific Design Rules to Support TIS Performance

- High speed digital signal (such as DC/DC converters, system clock, CPU and Memory bus, USB and other high speed interfaces) should be isolated and located as far as possible from RF signals and antenna.
- Good practice for interferences prevention is to add decoupling capacitors (10–33pF recommended) every 10mm on all top and bottom power lines longer than 10mm.
- With an antenna located close to circuitry using active devices or noisy signals, shielding may be needed to reach enough isolation.

5.5 PCB Specifications for the Application Board

Sensitive signals (such as audio, UIM, and clocks) should be protected by ground planes/fills. Routing sensitive signals close to noisy signals could result in noise being coupled.

5.6 Recommended PCB Land Pattern

Refer to document [3] AirPrime RC76xx Customer Process Guidelines, available at <http://source.sierrawireless.com>.

5.7 Routing Constraints

5.7.1 Power Supply

If the following design recommendations are not followed, phase error (peak) and power loss could occur.

Note: The recommended power supply capacity (Table 3-3 on page 26) is greater than the maximum peak current to provide an operating margin.

- Since the maximum peak current can reach 2.5 A, Sierra Wireless strongly recommends having a large width for the layout of the power supply signal (to avoid voltage loss between the external power supply and VBAT_BB/VBAT_RF).

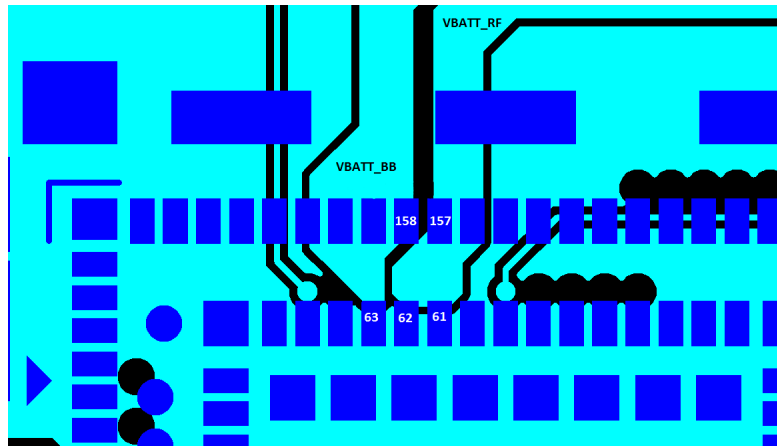


Figure 5-1: Power Supply Routing Example

Note: Figure 5-1 shows separate traces for VBAT_BB and VBAT_RF. If VBAT_BB and VBAT_RF share a single power supply, these traces should be connected.

Note: For optimal decoupling, place the capacitors on the underside of the board, directly under the pins.

- Input capacitors (2x47 μ F) are required close to the module.
- Attention should be paid to the ground trace or the ground plane on the application board for the power supply that supplies the module. The ground trace or ground plane, as well as the VBAT trace, must be able to support current peaks.
- If the ground trace between the module and the power supply is a copper plane, make sure it is a solid plane.
- Design routing to make sure total line impedance does not exceed 10 m Ω @ 217 Hz.

5.7.1.1 Ground Plane Connection

The AirPrime RC76xx requires a solid, central ground plane (with solder mask defined pads) located directly under the module. This will:

- Ensure high current signal returns
- Provide heat dissipation under higher operating temperatures

The ground plane should be connected (with vias) to the reference ground layer of the application board.

5.7.2 UIM Interface

- Tracks between the module and the UIM socket should be as short as possible. Maximum recommended length is 10 cm.
- ESD protection is mandatory on the UIM lines unless:
 - An eSIM is being used, or
 - There is no physical access to the UIM.
- The decoupling capacitor(s) should be placed as close as possible to the UIM card connector for the UIM1_VCC signal.

5.7.3 RF Circuit

The RF signal must be routed on the application board using tracks with a 50 Ω characteristic impedance.

The characteristic impedance depends on the dielectric, the track width and the ground plane spacing.

It is recommended to use stripline design if the RF path is fairly long (more than 3 cm), since microstrip design is not shielded. Consequently, the RF (transmit) signal may interfere with neighboring electronic circuits. In the same way, the neighboring electronics (micro-controllers, etc.) may interfere with the RF (receive) signal and degrade the reception performance.

The RF trace on the development board is routed from the module antenna port to the RF connector (IPEX MHF-4). The RF trace is designed as a 50 Ω coplanar stripline and its length is 20.7 mm.

The following drawings show the location of the AirPrime RC76xx on the development board, the routing cross-section, and the top view of the RF trace on the development board.

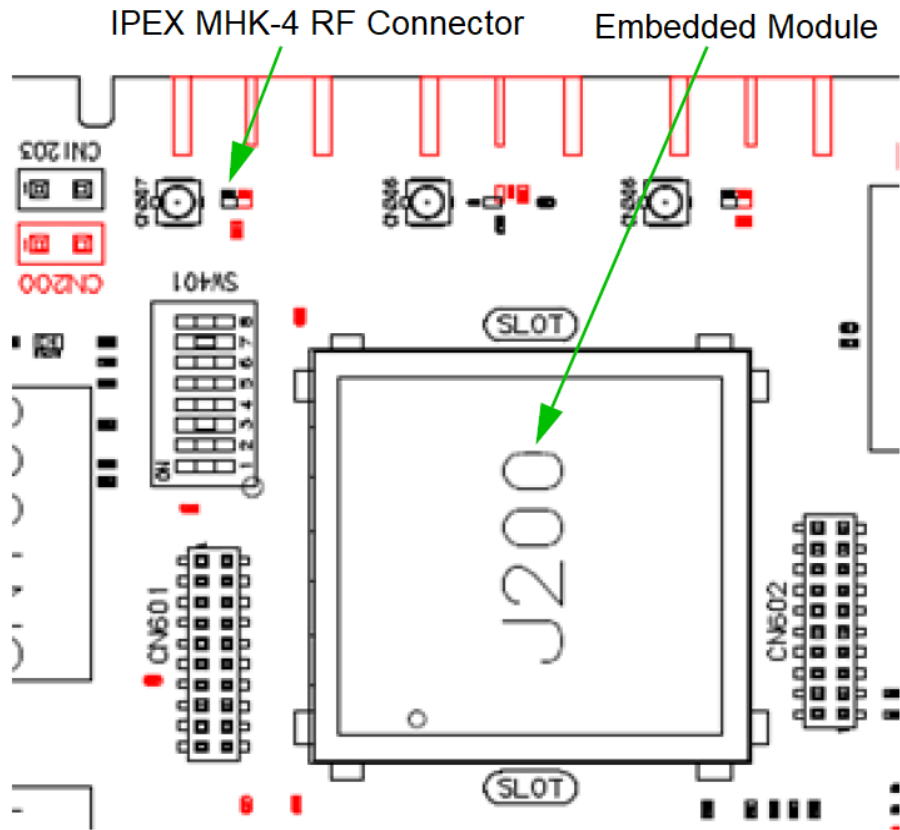


Figure 5-2: Module Location on Development Board

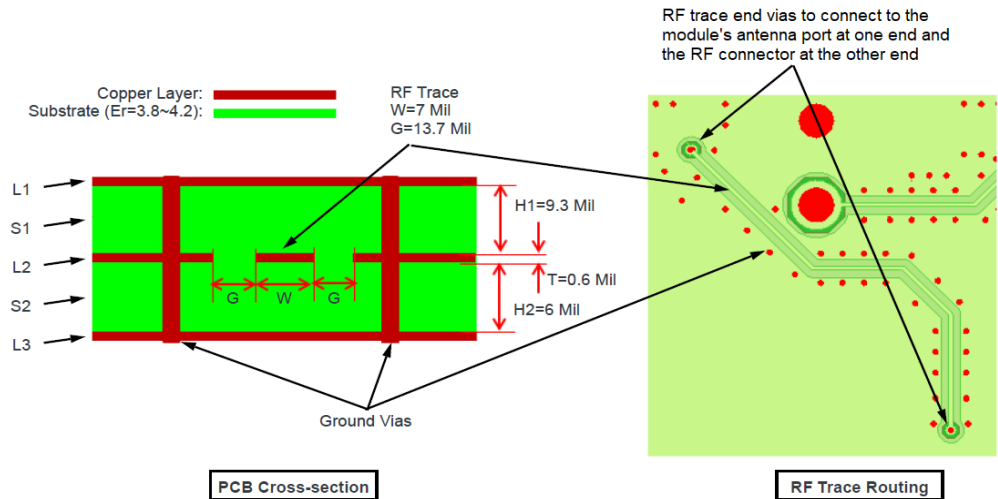


Figure 5-3: Development Board RF Trace Design

5.7.4 USB Interface

When the USB interface is externally accessible, ESD protection is required on the USB_VBUS, USB_D+, and USB_D- signals.

5.8 Thermal Considerations

When transmitting, the AirPrime RC76xx can generate significant amounts of heat (due to the internal Power Amplifier) that must be dissipated in the host device for safety and performance reasons.

The amount of thermal dissipation required depends on the following factors:

- Supply voltage — Maximum power dissipation for these modules can be up to 3 W at voltage supply limits.
- Usage — Typical power dissipation values depend on the location within the host, amount of data transferred, etc.

To enhance heat dissipation:

- Maximize airflow over / around the module
- Locate the module away from other components that generate heat
- Ensure the module is connected to a solid ground plane

5.9 EMC and ESD Recommendations

EMC tests must be performed on the application as soon as possible to detect any potential problems.

When designing, special attention should be paid to:

- Possible spurious emissions radiated by the application to the RF receiver in the receiver band
- ESD protection — Typically, ESD protection is mandatory for externally accessible signals, including:
 - VBAT_RF/VBAT_BB
 - UIM (if accessible from outside)
 - Serial link
 - USB
 - Antennas
- Length of the UIM interface lines (preferably <10 cm)
- Length of the HSIC interface lines (<10 cm, as required by the HSIC specification)
- EMC protection on audio input/output (filters against 900 MHz emissions)
- Ground plane: Sierra Wireless recommends a common ground plane for analog/digital/RF grounds

Note: The AirPrime RC76xx does not include any protection against over-voltage.

The host device must provide adequate ESD protection on digital circuits and antenna ports as detailed in the following table.

Note: The level of protection required depends on your application.

Table 5-1: ESD Specifications^a

Category	Connection	Specification
Operational	<ul style="list-style-type: none"> RF ports UIM connector USB connector UART connector 	IEC-61000-4-2 - Level (Electrostatic Discharge Immunity Test) <ul style="list-style-type: none"> ± 6kV Contact ± 8kV Air
Non-operational	Host connector interface	Unless otherwise specified: <ul style="list-style-type: none"> JESD22-A114 ± 1kV Human Body Model JESD22-A115 ± 100V Machine Model JESD22-C101C ± 500V Charged Device Model

a. ESD protection is highly recommended at the point where the UIM contacts are exposed, and for any other signals that would be subjected to ESD by the user.

5.10 Mechanical Integration

Attention should be paid to:

- Antenna cable integration (bending, length, position, etc)
- Pads of the AirPrime RC76xx to be soldered to the ground plane
- Ensuring proper board layout
- Providing sufficient space around the module for heat dissipation

5.11 Signal Reference Schematics

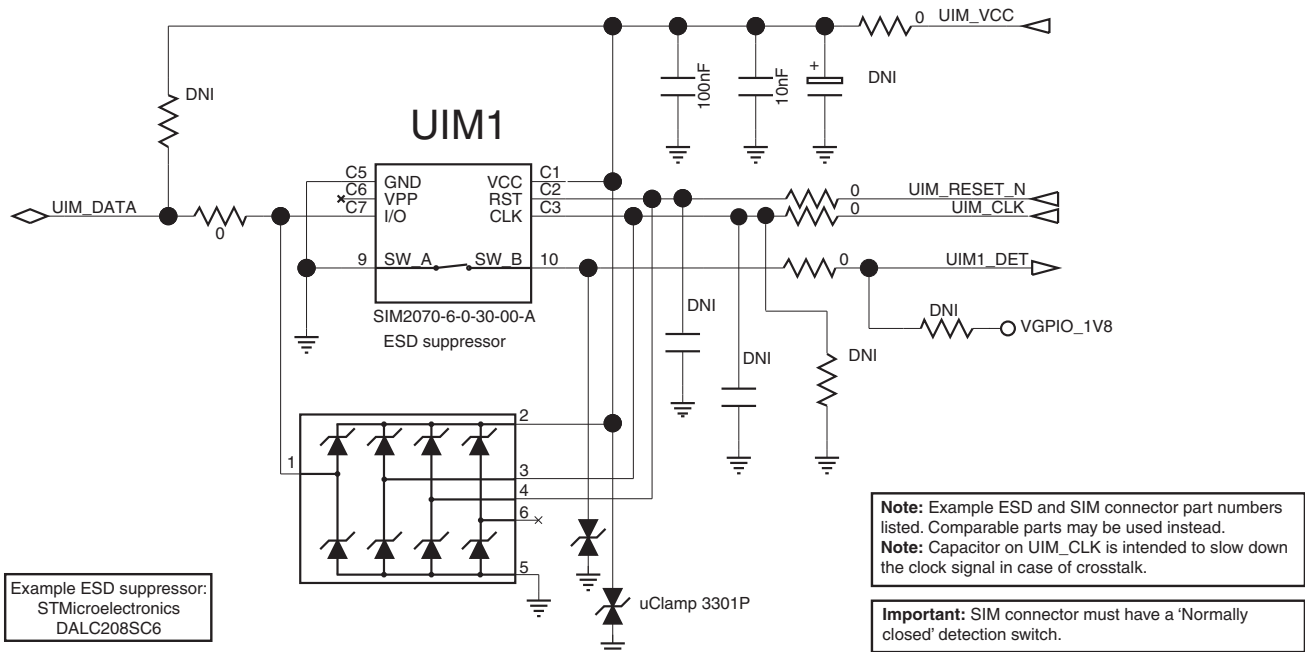


Figure 5-4: UIM Interface

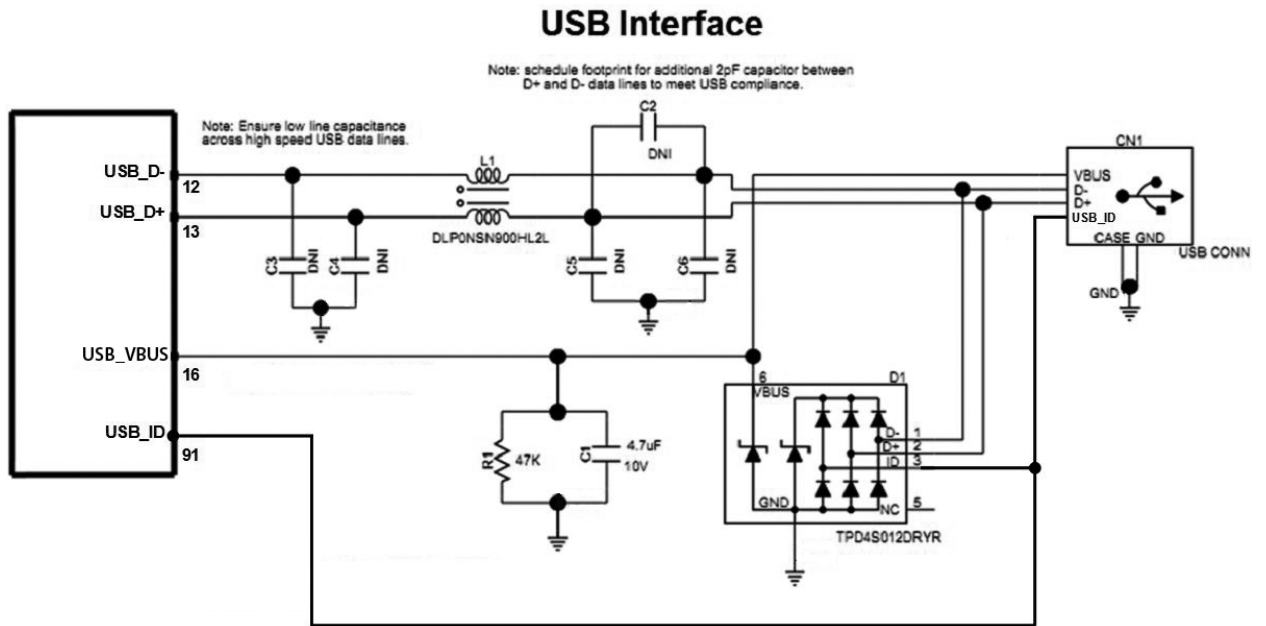


Figure 5-5: USB Interface

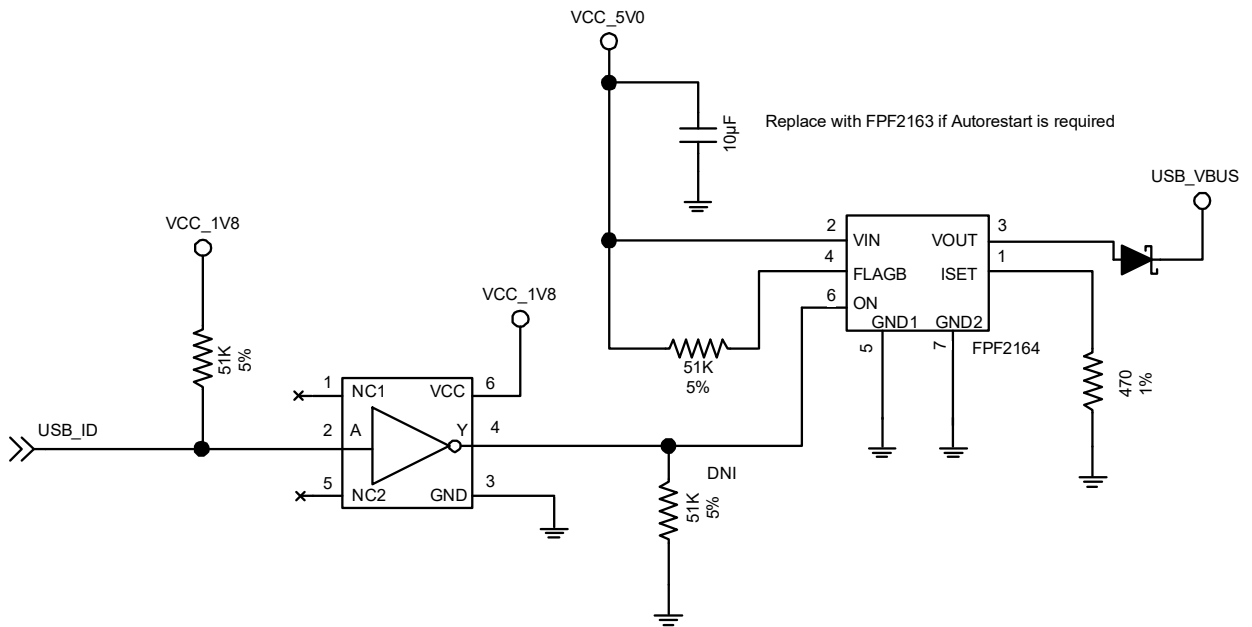


Figure 5-6: USB OTG Interface

>> 6: Software and Tools

6.1 Support Tools

The AirPrime RC76xx is compatible with Sierra Wireless' SwiLogPlus trace tool that allows users to send error logs to Sierra Wireless.

6.2 SED (Smart Error Detection)

The AirPrime RC76xx uses a form of SED to track premature module resets. In such cases, the module automatically forces a pause in boot-and-hold mode at power-on to accept an expected firmware download to resolve the problem.

1. Module tracks consecutive resets within 30 seconds of power-on.
2. After a sixth consecutive reset, the module waits in boot-and-hold mode (up to 30 seconds) for a firmware download to resolve the power-cycle problem.

A RAM dump tool that can be used to help isolate the cause of premature resets is available from Sierra Wireless. Contact your Sierra Wireless account representative for assistance.

6.3 Firmware Upgrade

Firmware upgrades are downloaded to the embedded module over the USB interface or over the air via Sierra Wireless' AVMS (AirVantage Management System). Contact your Sierra Wireless account representative for assistance.

6.4 Operating System Upgrade

The AirPrime RC76xx module's operating system is stored in flash memory and can be easily upgraded.

Tip: *To follow regular changes in the 3GPP standard and to offer a state-of-the-art operating system, Sierra Wireless recommends that the application designed around an embedded module (or embedded module based product) should allow easy operating system upgrades on the embedded module via the recommended firmware download protocol. Therefore, the application shall either allow a direct access to the embedded module USB interface through an external connector or implement any mechanism allowing the embedded module operating system to be downloaded.*

6.5 Product Marking

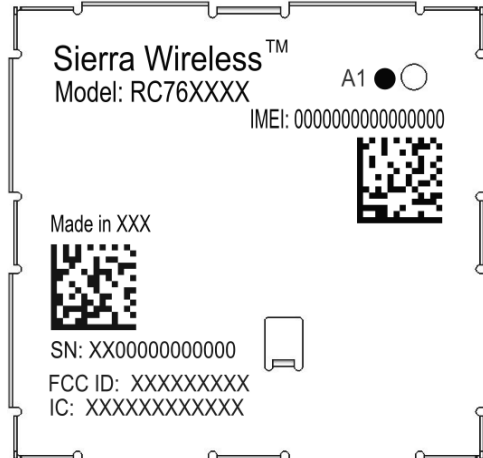


Figure 6-1: Unit Product Marking—Laser-etched, Typical Representation

Note: The figure above is not to scale. Contents will vary by SKU.

The product marking is laser-etched and may contain:

- Product identification (Model name, serial number)
- IMEI or MEID number and barcode
- Fabrication country
- Required regulatory markings (CE logo, Japan approval mark, FCC ID, IC certification number, etc., as appropriate)
- Pin 1 indicator

Note: The AirPrime RC76xx supports OEM partner specific product marking requirements.

>> 7: Debug and Assembly Considerations

7.1 Testing Assistance Provided by Sierra Wireless

Sierra Wireless offers optional professional services based assistance to OEMs with regulatory approvals.

7.2 Integration Requirements

When integrating the AirPrime RC76xx, the following items must be addressed:

- Mounting — Effect on temperature, shock, and vibration performance
- Power supply — Impact on battery drain and possible RF interference
- Antenna location and type — Impact on RF performance
- Regulatory approvals — As described in [Approval on page 103](#)
- Service provisioning — Manufacturing process

Sierra Wireless provides guidelines for successful module integration with the document suite and offers integration support services as necessary.

7.3 IOT/Operator

Interoperability and Operator/Carrier testing of the finished system is the responsibility of the OEM. The test process will be determined with the chosen network operator(s) and will be dependent upon your business relationship with them, as well as the product's application and sales channel strategy.

Sierra Wireless offers assistance to OEMs with the testing process, if required.

7.4 Module Testing Recommendations

When testing your integration design:

- Test to your worst case operating environment conditions (temperature and voltage)
- Test using worst case operation (transmitter on 100% duty cycle, maximum power)
- Monitor the module's junction temperature using **AT! PATEMP**. This command polls a thermistor located near the module's power amplifier (typically the hottest spot on the module).

Note: Make sure that your system design provides sufficient cooling for the integrated module. The RF shield temperature should not be exposed to an ambient temperature greater than 85°C to prevent damage to the module's components.

7.5 Serial Link Access

Direct access to the UART1/UART2 serial link is very useful for:

- Testability operations
- Accessing the module’s console for debugging

Refer to the following figure for a level shifter implementation that allows UART1 serial link access. (A UART2 level shifter would use the corresponding UART2 pins — UART2_TX (pin 96), UART2_RX (pin 97), UART2_RTS (pin 98), UART2_CTS (pin 99).)

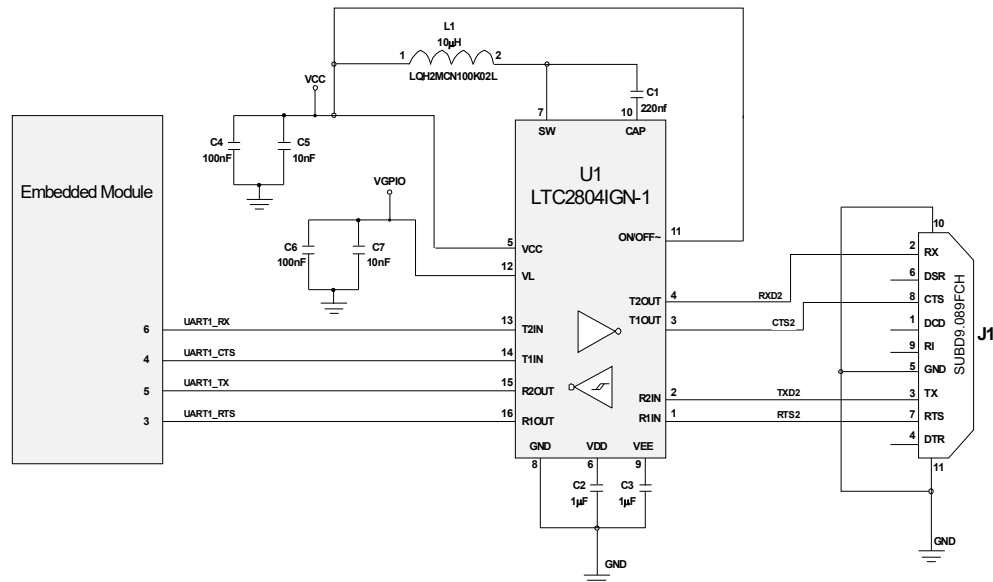


Figure 7-1: Level Shifter Implementation for UART1 Serial Link Access

7.6 RF Output Accessibility

During the integration phase of the AirPrime RC76xx, it can be helpful to connect the module to a simulator to check critical RF TX parameters and power behavior for supported RATs.

Although the module has been certified, some parameters may have degraded if some basic precautions have not been followed (poor power supply, for example). This may not affect the functionality of the product, but the product may not comply with 3GPP specifications.

The following TX parameters can be checked using a Radio Communication tester:

- Phase & Frequency Error
- Output Power and Burst Time
- Output Spectrum (Modulation and Switching)

The following are available typical Radio Communication testers:

- Rohde & Schwarz: CMU200, CMW500
- Keysight (formerly Agilent): 8960
- Anritsu: MD8475

Because of the high prices associated with Radio Communication testers and the necessary RF know-how to perform simulations, customers can check their applications in the Sierra Wireless laboratories. Contact the Sierra Wireless support team for more information.

>> 8: Reliability Specification

AirPrime RC76xx modules are tested against the Sierra Wireless Industrial Reliability Specification defined below.

8.1 Reliability Compliance

AirPrime RC76xx modules connected on a reliability test board are compliant with the requirements in [Table 8-1](#).

Table 8-1: Standards Conformity


Abbreviation	Definition
IEC	International Electrotechnical Commission
ISO	International Organization for Standardization

8.2 Reliability Prediction Model

8.2.1 Life Stress Test

The following tests the AirPrime RC76xx module's product performance.

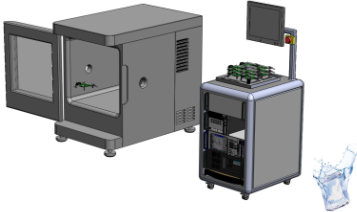

Table 8-2: Life Stress Test

Designation	Condition
Performance Test PT3T & PTRT 	Standard: N/A
	Special conditions: <ul style="list-style-type: none"> • Temperature: <ul style="list-style-type: none"> • Class A: -30°C to +70°C • Class B: -40°C to +85°C • Rate of temperature change: 3 ± 0.6°C/min • Recovery time: 3 hours
	Operating conditions: Powered
	Duration: 14 days

8.2.2 Environmental Resistance Stress Tests

The following tests the AirPrime RC76xx module's resistance to extreme temperature.

Table 8-3: Environmental Resistance Stress Tests

Designation	Condition
Cold Test Active COTA 	Standard: IEC 680068-2-1, Test ad
	Special conditions: <ul style="list-style-type: none"> • Temperature: -40°C • Temperature variation: 1°C/min
	Operating conditions: Powered ON with a power cycle of 1 minute ON and 2 minutes OFF
	Duration: 3 days
Resistance to Heat Test RH 	Standard: IEC 680068-2-2, Test Bb
	Special conditions: <ul style="list-style-type: none"> • Temperature: +85°C • Temperature variation: 1°C/min
	Operating conditions: Powered ON with a power cycle of 15 minutes ON and 15 minutes OFF
	Duration: 50 days

8.2.3 Corrosive Resistance Stress Tests

The following tests the AirPrime RC76xx module's resistance to corrosive atmosphere.

Table 8-4: Corrosive Resistance Stress Tests

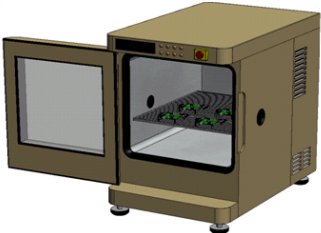

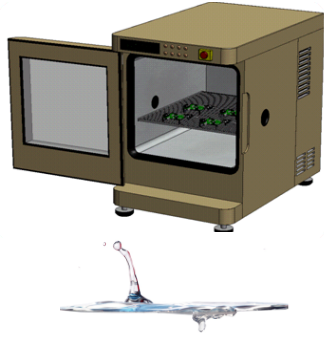
Designation	Condition
Humidity Test HUT 	Standard: IEC 60068-2-3, Test Ca
	Special conditions: <ul style="list-style-type: none"> • Temperature: +65°C • RH: 95% • Temperature variation: 3 ± 0.6°C/min
	Operating conditions: Powered ON with a power cycle of 15 minutes ON and 15 minutes OFF
	Duration: 10 days

Table 8-4: Corrosive Resistance Stress Tests (Continued)

Designation	Condition
Component Solder Wettability CSW 	Standard: JESD22-B102, Method 1/Condition C, Solderability Test Method Special conditions: <ul style="list-style-type: none"> • Test method: Dip and Look Test with Steam preconditioning 8 h ± 15 min. Dip for 5 +0/-0.5 seconds Operating conditions: Unpowered Duration: 1 day
Moist Heat Cyclic Test MHCT 	Standard: IEC 60068-2-30, Test Db Special conditions: <ul style="list-style-type: none"> • Upper temperature: +40 ± 2°C • Lower temperature: +23 ± 5°C • RH: <ul style="list-style-type: none"> • At upper temperature: 93% • At lower temperature: 95% • Number of cycles: 21 (1 cycle/24 hours) • Temperature variation: 3 ± 0.6°C/min Operating conditions: Powered ON for 15 minutes during each 3 hours ramp up and 3 hours ramp down (in middle) for every cycle Duration: 21 days

8.2.4 Thermal Resistance Cycle Stress Tests

The following tests the AirPrime RC76xx module's resistance to extreme temperature cycling.

Table 8-5: Thermal Resistance Cycle Stress Tests

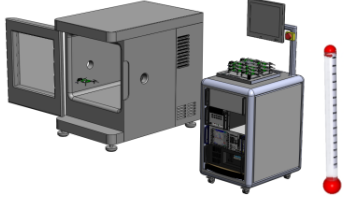
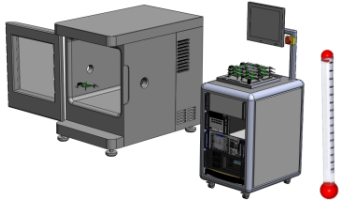
Designation	Condition
Thermal Shock Test TSKT 	Standard: IEC 60068-2-14, Test Na Special conditions: <ul style="list-style-type: none"> • Temperature: -30°C to +80°C • Temperature variation: 6–30 s • Number of cycles: 600 • Dwell time: 10 minutes Operating conditions: Unpowered Duration: 9 days

Table 8-5: Thermal Resistance Cycle Stress Tests (Continued)

Designation	Condition
Temperature Change TCH 	Standard: IEC 60068-2-14, Test Nb Special conditions: Temperature: -40°C to +90°C Temperature variation: 3 ± 0.6°C/min Number of cycles: 400 Dwell time: 10 minutes Operating conditions: Unpowered Duration: 29 days

8.2.5 Mechanical Resistance Stress Tests

The following tests the AirPrime RC76xx module's resistance to vibrations and mechanical shocks.

Table 8-6: Mechanical Resistance Stress Tests

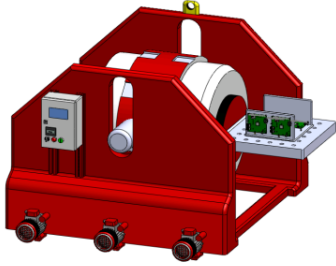
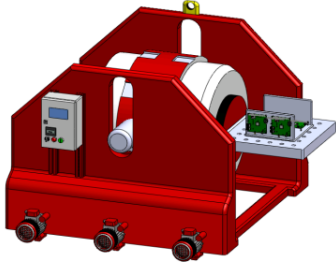
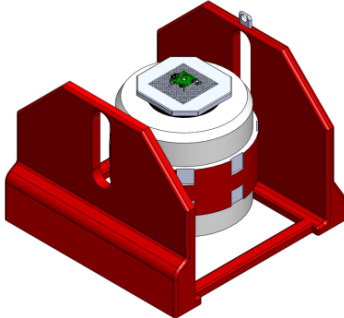
Designation	Condition
Sinusoidal Vibration Test SVT 	Standard: IEC 60068-2-6, Test Fc Special conditions: <ul style="list-style-type: none"> • Frequency range: 16 Hz to 1000 Hz • Displacement: 0.35 mm (peak-peak) • Acceleration: <ul style="list-style-type: none"> • 5 g from 16 to 62 Hz • 3 g from 62 to 200 Hz • 1 g from 200 to 1000 Hz • Sweep rate: 1 octave/minute • Number of sweeps: 20 sweeps/axis • Sweep direction: ± X, ± Y, ± Z Operating conditions: Unpowered Duration: 2 days

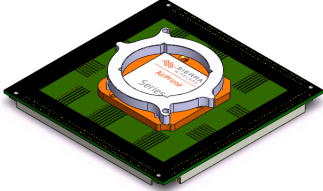
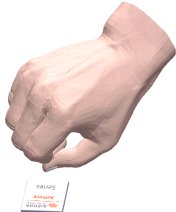
Table 8-6: Mechanical Resistance Stress Tests (Continued)

Designation	Condition
Random Vibration Test RVT 	Standard: IEC 60068-2-64, Test Fh Special conditions: <ul style="list-style-type: none"> • Frequency range: 10 Hz to 2000 Hz • Power Spectral Density in [(m/s²)²/Hz] <ul style="list-style-type: none"> • 0.1 g²/Hz at 10 Hz • 0.01 g²/Hz at 250 Hz • 0.005 g²/Hz at 1000 Hz • 0.005 g²/Hz at 2000 Hz • Peak factor: 3 • Duration per axis: 1 hr/axis Operating conditions: Unpowered Duration: 1 day
Mechanical Shock Test MST 	Standard: IEC 60068-2-27, Test Ea Special conditions: <ul style="list-style-type: none"> • Shock Test 1: <ul style="list-style-type: none"> • Wave form: Half sine • Peak acceleration: 30 g • Duration: 11 ms • Number of shocks: 8 • Direction: ± X, ± Y, ± Z • Shock Test 2: <ul style="list-style-type: none"> • Wave form: Half sine • Peak acceleration: 100 g • Duration: 6 ms • Number of shocks: 3 • Direction: ± X, ± Y, ± Z Operating conditions: Unpowered Duration: 72 hours

8.2.6 Handling Resistance Stress Tests

The following tests test the AirPrime RC76xx module's resistance to handling malfunctions and damage.

Table 8-7: Handling Resistance Stress Tests

Designation	Condition
ESDC Test 	Standard: JESD22-A114, JESD22-A115, JESD22-C101
	Special conditions: <ul style="list-style-type: none"> • HBM (Human Body Model): 1 KV (Class 1C) • MM (Machine Model): 100 V • CDM (Charged Device Model): 500 V (Class IV)
	Operating conditions: Powered
	Duration: 3 days
Free Fall Test FFT 1 	Standard: IEC 60068-2-32, Test Ed
	Special conditions: <ul style="list-style-type: none"> • Number of drops: 2 drops per unit • Height: 1 m
	Operating conditions: Unpowered
	Duration: 6 hours

>> 9: Approval

9.1 Disposing of the Product

This electronic product is subject to the EU Directive 2012/19/EU for Waste Electrical and Electronic Equipment (WEEE). As such, this product must not be disposed of at a municipal waste collection point. Please refer to local regulations for directions on how to dispose of this product in an environmental friendly manner.

9.2 Important Notice

Due to the nature of wireless communications, transmission and reception of data can never be guaranteed. Data may be delayed, corrupted (i.e., have errors) or be totally lost. Although significant delays or losses of data are rare when wireless devices such as the Sierra Wireless modem are used in a normal manner with a well-constructed network, the Sierra Wireless modem should not be used in situations where failure to transmit or receive data could result in damage of any kind to the user or any other party, including but not limited to personal injury, death, or loss of property. Sierra Wireless accepts no responsibility for damages of any kind resulting from delays or errors in data transmitted or received using the Sierra Wireless modem, or for failure of the Sierra Wireless modem to transmit or receive such data.

9.3 Safety and Hazards

Do not operate your AirPrime RC76xx embedded module:

- In areas where blasting is in progress
- Where explosive atmospheres may be present including refueling points, fuel depots, and chemical plants
- Near medical equipment, life support equipment, or any equipment which may be susceptible to any form of radio interference.

In such areas, the AirPrime RC76xx **MUST BE IN AIRPLANE MODE OR POWERED OFF**. Otherwise, the module can transmit signals that could interfere with this equipment.

In an aircraft, the AirPrime RC76xx **MUST BE IN AIRPLANE MODE OR POWERED OFF**. Otherwise, the module can transmit signals that could interfere with various onboard systems and may be dangerous to the operation of the aircraft or disrupt the cellular network. Use of a cellular phone in an aircraft is illegal in some jurisdictions. Failure to observe this instruction may lead to suspension or denial of cellular telephone services to the offender, or legal action or both.

Some airlines may permit the use of cellular phones while the aircraft is on the ground and the door is open. The module may be used normally at this time.

9.4 Compliance Acceptance and Certification

Final regulatory and operator certification requires regulatory agency testing and approval with the fully integrated UE host device incorporating the AirPrime RC76xx module.

The OEM host device and, in particular, the OEM antenna design and implementation will affect the final product functionality, RF performance, and certification test results.

Note: Tests that require features not supported by the AirPrime RC76xx (as defined by this document) are not supported.

9.5 Certification Compliance

9.5.1 Important Compliance Information for North American Users

The AirPrime RC76xx modules upon commercial release, will have been granted modular approval for mobile applications. Integrators may use these modules in their final products without additional FCC certification if they meet the following conditions. Otherwise, additional FCC approvals must be obtained.

1. The end product must use the RF trace design approved with the module. The Gerber file of the trace design can be obtained from Sierra Wireless upon request.
2. At least 20 cm separation distance between the antenna and the user's body must be maintained at all times.
3. To comply with FCC regulations limiting both maximum RF output power and human exposure to RF radiation, the maximum antenna gain including cable loss in a mobile-only exposure condition must not exceed the limits stipulated in [Table 9-1](#).

Table 9-1: Antenna Gain Specifications

LTE Band	Frequency (MHz)	Maximum Antenna Gain (dBi)
2	1850–1910	6
4	1710–1755	6
5	824–849	6
12	699–716	6
13	777–787	6
14	788–798	6
25	1850–1915	6

Table 9-1: Antenna Gain Specifications (Continued)

LTE Band	Frequency (MHz)	Maximum Antenna Gain (dBi)
26	814–849	6
66	1710–1780	6
71	663–698	6

4. The RC7611 may transmit simultaneously with other collocated radio transmitters within a host device, provided the following conditions are met:
- Each collocated radio transmitter has been certified by FCC for mobile application.
 - At least 20 cm separation distance between the antennas of the collocated transmitters and the user’s body must be maintained at all times.
 - The radiated power of a collocated transmitter must not exceed the EIRP limit stipulated in [Table 9-2](#).

Table 9-2: Collocated Radio Transmitter Specifications

Device	Technology	Frequency (MHz)	EIRP Limit (dBm)
Collocated transmitters ^a	WLAN	2400–2500	25
		5150–5850	27
	WiMAX	2300–2400	25
		2500–2700	25
		3300–3800	25
	BT	2400–2500	15

a. Valid collocated transmitter combinations: WLAN+BT; WiMAX+BT.
(WLAN+WiMAX+BT is not permitted.)

5. A label must be affixed to the outside of the end product into which the module is incorporated, with a statement similar to the following:
This device contains FCC ID: N7NRC76B.
6. A user manual with the end product must clearly indicate the operating requirements and conditions that must be observed to ensure compliance with current FCC RF exposure guidelines.

The end product with an embedded RC7611 may also need to pass the FCC Part 15 unintentional emission testing requirements and be properly authorized per FCC Part 15.

Note: If this module is intended for use in a portable device, you are responsible for separate approval to satisfy the SAR requirements of FCC Part 2.1093 and IC RSS-102.

>> 10: Pinout

The system interface of the AirPrime RC76xx is through the LGA pattern on the bottom of the PCB.

AirPrime RC76xx pins are divided into three functional categories:

- Core functions and associated pins — Cover all the mandatory features for M2M connectivity and will be available by default across all CF3 family of modules. These Core functions are always available and always at the same physical pin locations. A customer platform using only these functions and associated pins is guaranteed to be forward and/or backward compatible with the next generation of CF3 modules.
- Extension functions and associated pins — Bring additional capabilities to the customer. Whenever an Extension function is available on a module, it is always at the same pin location.
- Custom functions and associated pins — These are module-specific and make use of specific chipset functions and I/Os.

Warning: Custom features should be used with caution as there is no guarantee that the custom functions available on a given module will be available on other CF3 modules.

Pins marked as "Leave open" or "Reserved" should not be used or connected.

10.1 Pin Configuration

Figure 10-1 illustrates the pin configuration of the AirPrime RC76xx module.



Figure 10-1: Pin Configuration (Top View, Through Module)

10.2 Pin Description

Table 10-1 on page 107 lists detailed information for the LGA pins.

Note: Some pin numbers (112, 126, 127, 137, 138, 235) do not appear in this table because there are no corresponding pads on the module's PCB.

Table 10-1: Pin Definitions

Pin	Signal Name	Group	I/O ^a	Voltage	PU/ PD ^b	Active	If Unused	Function	Type
1	I2C1_CLK	I2C	I/O	1.8V	PU		Leave open	I ² C clock	Core
2	UART1_RI ^{c,d}	UART1	O	1.8V		L	Leave open	UART1 Ring indicator	Core
<i>Note: Do not install external pull-up on this pin, otherwise the module will not boot.</i>									
3	UART1_RTSC ^c	UART1	I	1.8V		L	Leave open	UART1 Request to send	Core
4	UART1_CTS ^c	UART1	O	1.8V		L	Leave open	UART1 Clear to send	Core
5	UART1_TX ^c	UART1	I	1.8V			Leave open	UART1 Transmit data	Core
6	UART1_RX ^c	UART1	O	1.8V			Leave open	UART1 Receive data	Core
7	UART1_DTR ^{c,e}	UART1	I	1.8V		L	Leave open	UART1 Data terminal ready	Core
8	UART1_DCD ^{c,d}	UART1	O	1.8V		L	Leave open	UART1 Data carrier detect	Core
<i>Note: Do not install external pull-up on this pin, otherwise the module will not boot.</i>									
9	UART1_DSR ^{c,d}	UART1	O	1.8V		L	Leave open	UART1 Data set ready	Core
<i>Note: Do not install external pull-up on this pin, otherwise the module will not boot.</i>									
10	GPIO2 ^e	GPIO	I/O	1.8V	NP		Leave open	General purpose I/O	Core
11	RESET_IN_N	Control signal	I	1.8V	PU	L	Leave open	Input reset signal	Core
12	USB_D-	USB	I/O				Leave open	USB Data negative	Core
13	USB_D+	USB	I/O				Leave open	USB Data positive	Core
14	Reserved	No Connection					See footnote ^f		
15	Reserved	No Connection					See footnote ^f		

Table 10-1: Pin Definitions (Continued)

Pin	Signal Name	Group	I/O ^a	Voltage	PU/ PD ^b	Active	If Unused	Function	Type
16	USB_VBUS	USB	I	5V or VBAT_BB			Optional connection (If USB interface is required then connect to USB_VBUS or, if unavailable, VBAT_BB; otherwise, leave open.)	USB power supply	Core
17– 20	Reserved	No Connection					See footnote ^f .		Extension
21	Reserved	No Connection					Leave open		Extension
22	SYS_CLK	Clock	O				Leave open	19 MHz digital clock output	Extension
23	SLEEP_CLK	Clock	O				Leave open	32.768 kHz digital clock output	Extension
24	ADC1	ADC	I				Leave open	Analog to digital conversion	Core
25	ADC0	ADC	I				Leave open	Analog to digital conversion	Core
26	UIM1_VCC	UIM1	O	1.8V/3V			Mandatory connection	1.8V/3V UIM1 Power supply	Core
27	UIM1_CLK	UIM1	O	1.8V/3V			Mandatory connection	UIM1 Clock	Core
28	UIM1_DATA	UIM1	I/O	1.8V/3V			Mandatory connection	UIM1 Data	Core
29	UIM1_RESET_N	UIM1	O	1.8V/3V		L	Mandatory connection	UIM1 Reset	Core
30	GND	Ground	0V	0V			Mandatory connection	Diversity antenna ground	Extension
31	RF_DIV	RF					Mandatory connection	Diversity antenna	Extension
32	GND	Ground	0V	0V			Mandatory connection	Diversity antenna ground	Extension
33	PCM_OUT	PCM	O	1.8V			Leave open	PCM data out	Core
	I2S_OUT	I2S	O	1.8V			Leave open	I2S data out	
34	PCM_IN	PCM	I	1.8V			Leave open	PCM data in	Core
	I2S_IN	I2S	I	1.8V			Leave open	I2S data in	
35	PCM_SYNC	PCM	Pri: I/O Aux: O	1.8V			Leave open	PCM sync	Core
	I2S_WS	I2S	O	1.8V			Leave open	I2S word select	

Table 10-1: Pin Definitions (Continued)

Pin	Signal Name	Group	I/O ^a	Voltage	PU/ PD ^b	Active	If Unused	Function	Type
36	PCM_CLK	PCM	Pri: I/O Aux: O	1.8V			Leave open	PCM clock	Core
	I2S_CLK	I2S	O	1.8V			Leave open	I2S clock	
37	GND	RF	0V	0V			Mandatory connection	GNSS antenna ground	Core
38	RF_GNSS	RF					Leave open	RF GNSS input	Extension
39	GND	RF	0V	0V			Mandatory connection	GNSS antenna ground	Core
40	GPIO7	GPIO	I/O	1.8V	NP		Leave open	General purpose I/O	Core
41	GPIO8	GPIO	I/O	1.8V	NP		Leave open	General purpose I/O	Core
42	DR_SYNC	GPS	O	1.8V			Leave open	GPS dead reckoning sync	Extension
43	EXT_GPS_LNA_EN	Control signal	O	1.8V		H	Leave open	External GNSS LNA enable	Extension
44	GPIO13	GPIO	I/O	1.8V	NP		Leave open	General purpose I/O	Extension
45	VGPIO	Voltage reference	O	1.8V			Leave open	GPIO voltage output	Core
46	GPIO6 ⁹	GPIO	I/O	1.8V	NP		Leave open	General purpose I/O	Core
47	TP1 (Boot pin)	Boot	I	1.8V		L	Mandatory test point	Test point 1 <ul style="list-style-type: none"> 0— Download mode Open— Normal mode 	Extension
48	GND	RF	0V	0V			Mandatory connection	Main antenna ground	Core
49	RF_MAIN	RF					Mandatory connection	Main RF antenna	Core
50	GND	RF	0V	0V			Mandatory connection	Main antenna ground	Core
51	SPI1_MRDY	SPI1	O	1.8V			Leave open	SPI Master Ready	Core
52	SPI1_MISO	SPI1	I	1.8V			Leave open	SPI Master Input/Slave Output (output from slave)	Core
53	SPI1_CLK	SPI1	O	1.8V			Leave open	SPI serial clock (output from Master)	Core

Table 10-1: Pin Definitions (Continued)

Pin	Signal Name	Group	I/O ^a	Voltage	PU/ PD ^b	Active	If Unused	Function	Type
54	SPI1_MOSI	SPI1	O	1.8V			Leave open	SPI Master Output/Slave Input (output from master)	Core
55	Reserved	No Connection					See footnote ^h .		Core
56	Reserved	No Connection					See footnote ^h .		Core
57	Reserved	No Connection					See footnote ^h		Core
58	Reserved	No Connection					See footnote ^h		Core
59	POWER_ON_N	Control	I	1.8V	PU	L	Mandatory connection	Power On control signal	Core
60	TX_ON	Indication	O	1.8V		H	Leave open	Tx activity indicator	Extension
61	VBAT_RF	Power	I	3.4V (min) 3.7V (typ) 4.3V (max)			Mandatory connection	RF power supply (see Power Supply Ratings on page 25)	Core
62	VBAT_RF	Power	I	3.4V (min) 3.7V (typ) 4.3V (max)			Mandatory connection	RF power supply (see Power Supply Ratings on page 25)	Core
63	VBAT_BB	Power	I	3.4V (min) 3.7V (typ) 4.3V (max)			Mandatory connection	Baseband power supply (see Power Supply Ratings on page 25)	Core
64	UIM1_DET ^e	UIM1		1.8V			Mandatory connection	Detect UIM1 insertion/removal. (Pin must be open to detect the UIM, or grounded if no UIM is present.)	Core
65	GPIO4 ^j	GPIO	I/O	1.8V	NP		Leave open	General purpose I/O	Extension
66	I2C1_Data	I2C	I/O	1.8V	PU		Leave open	I ² C data	Core
67–70	GND	Ground	0V	0V			Mandatory connection	Ground	Core
71–90	Reserved	No Connection					See footnote ^f		
91	Reserved	No Connection					See footnote ^f		
92	Reserved	No Connection					See footnote ^f		

Table 10-1: Pin Definitions (Continued)

Pin	Signal Name	Group	I/O ^a	Voltage	PU/ PD ^b	Active	If Unused	Function	Type
93	Reserved	No Connection					See footnote ^f		
94	Reserved	No Connection					See footnote ^f		
95	Reserved	No Connection					See footnote ^f		
96	UART2_TX ^c	UART2	I	1.8V			Leave open	UART2 Transmit data	Extension
97	UART2_RX ^c	UART2	O	1.8V			Leave open	UART2 Receive data	Extension
98	UART2_RTS ^c	UART2	I	1.8V			Leave open	UART2 Request To Send	Extension
99	UART2_CTS ^c	UART2	O	1.8V			Leave open	UART2 Clear To Send	Extension
100	Reserved	No Connection					See footnote ^f		
101	GPIO35	GPIO	I/O	1.8V	NP		Leave open	General purpose I/O	Extension
102	Reserved	No Connection					See footnote ^f		
103	Reserved	No Connection					See footnote ^f		
104	GPIO32	GPIO	I/O	1.8V	NP		Leave open	General purpose I/O	Extension
105	GPIO33	GPIO	I/O	1.8V	NP		Leave open	General purpose I/O	Extension
106	WWAN_LED_N	Indication	O	VBAT_BB ^k		L	Leave open		Extension
107	Reserved	No Connection					See footnote ^f		
108	Reserved	No Connection					See footnote ^f		
109	GPIO42 ^e	GPIO	I/O	1.8V	NP		Leave open	General purpose I/O	Extension
110	WAKE_ON_WWAN	Indication	O	1.8V		H	Leave open	Driven high to wake the host when specific events occur.	Extension
111	GND	Ground	0V	0V			Mandatory connection	Diversity antenna ground	Core
113	GND	Ground	0V	0V			Mandatory connection	Diversity antenna ground	Core
114–124	Reserved	No Connection					See footnote ^f		
125	GND	RF	0V	0V			Mandatory connection	GNSS antenna ground	Core
128	GND	RF	0V	0V			Mandatory connection	GNSS antenna ground	Core

Table 10-1: Pin Definitions (Continued)

Pin	Signal Name	Group	I/O ^a	Voltage	PU/ PD ^b	Active	If Unused	Function	Type
129– 135	Reserved	No Connection					See footnote ^f .		
136	GND	RF	0V	0V			Mandatory connection	Main antenna ground	Core
139	GND	RF	0V	0V			Mandatory connection	Main antenna ground	Core
140– 146	Reserved	No Connection					See footnote ^f .		
147	GPIO21 ^e	GPIO	I/O	1.8V	NP		Leave open	General purpose I/O	Core
148	GPIO22	GPIO	I/O	1.8V	NP		Leave open	General purpose I/O	Core
149	GPIO23	GPIO	I/O	1.8V	NP		Leave open	General purpose I/O	Core
150	GPIO24	GPIO	I/O	1.8V	NP		Leave open	General purpose I/O	Core
151	W_DISABLE_N	Control	I	1.8V		L	Leave open	Wireless disable (main RF radio)	Core
152	SAFE_PWR_REMOVE	Indication	O	1.8V		H	Leave open	Indicate to host that Main DC power can be removed	Extension
153	ANT_CNTL0	Antenna control	O	1.8V			Leave open		Extension
	GPIO28 ^l	GPIO	I/O	1.8V			Leave open	General purpose I/O	Extension
154	ANT_CNTL1	Antenna control	O	1.8V			Leave open		Extension
	GPIO29 ^l	GPIO	I/O	1.8V			Leave open	General purpose I/O	Extension
155	ANT_CNTL2	Antenna control	O	1.8V			Leave open		Extension
	GPIO30 ^l	GPIO	I/O	1.8V			Leave open	General purpose I/O	Extension
156	ANT_CNTL3	Antenna control	O	1.8V			Leave open		Extension
	GPIO31 ^l	GPIO	I/O	1.8V			Leave open	General purpose I/O	Extension
157	VBAT_RF	Power	I	3.4V (min) 3.7V (typ) 4.3V (max)			Optional connection	RF power supply (see Power Supply Ratings on page 25)	Core

Table 10-1: Pin Definitions (Continued)

Pin	Signal Name	Group	I/O ^a	Voltage	PU/ PD ^b	Active	If Unused	Function	Type
158	VBAT_BB	Power	I	3.4V (min) 3.7V (typ) 4.3V (max)			Optional connection	Baseband power supply (see Power Supply Ratings on page 25)	Core
159	GPIO25	GPIO	I/O	1.8V	NP		Leave open	General purpose I/O	Core
160	Reserved	No Connection					See footnote ^f		
161	Reserved	No Connection					See footnote ^f		
162	Reserved	No Connection					See footnote ^f		
163	Reserved	No Connection					See footnote ^f		
164	Reserved	No Connection					See footnote ^f		
165	Reserved	No Connection					See footnote ^f		
166	Reserved	No Connection					See footnote ^f		
167–234	GND	Ground	0V	0V			Mandatory connection	Ground	Core
236	J1 ^m			1.8V		L	Mandatory test point	Test point	Extension
237	J2 ^m			1.8V			Mandatory test point	Test point	Extension
238	J3 ^m			1.8V			Mandatory test point	Test point	Extension
239	J4 ^m			1.8V			Mandatory test point	Test point	Extension
240	J5 ^m			1.8V		L	Mandatory test point	Test point	Extension
241	J6 ^m			1.8V			Mandatory test point	Test point	Extension
242	J7 ^m			1.8V			Mandatory test point	Test point	Extension
243	J8 ^m			1.8V			Mandatory test point	Test point	Extension
244	J9 ^m			1.8V			Mandatory test point	Test point	Extension

- Signal direction with respect to the module. Examples: PCM_OUT (pin 33) is an output from the module to the host; PCM_IN (pin 34) is an input to the module from the host.
- NP—No Pull; PD—Pull Down; PU—Pull Up
- (UART signals only) Signals are named with respect to the host device. For example, UART1_RX is the signal used by the host to receive data from the module.
- Do not install external pull-up on this pin, otherwise the module will not boot.

- e. Pin is 'wakeable'. Can be used to trigger the module to wake up from USB-SS mode (low power active state). See [Wakeup Interrupt \(Sleep State\) on page 65](#) for details.
- f. Pins are not connected internally, but are reserved for future use. Leave them unconnected to ensure compatibility with other Sierra Wireless CF3 modules.
- g. Refer to [GPIO6 on page 64](#) for functional details.
- h. Pins are reserved for future use. Leave them unconnected to ensure compatibility with other Sierra Wireless CF3 modules.
- j. GPIO4 can be used for external UIM2 detect.
- k. Maximum rating is VBAT_BB + 0.5V, with maximum current sink capability of 40 mA.
- l. This pin is available for use when configured using `AT+WIOCFG`.
- m. Accessibility restricted to soldered-down modules. Not available for socket-mounted modules.

Table 10-2: RF Pin Information

Signal name	Pin #	Description
RF_DIV	31	Diversity input
RF_GNSS ^a	38	RF GNSS input
RF_MAIN	49	Main RF port (input/output)

a. Support is SKU-dependent.

Table 10-3: Supply Pin Information

Signal name	Pin #	Description
VBAT_RF	61, 62, 157	RF power supply
VBAT_BB	63, 158	Baseband power supply
USB_VBUS	16	Connected to USB_VBUS (5V) or (if unavailable) VBAT_BB

Table 10-4: Ground and Reserved Pin Information

Signal name	Pin #	Description
Ground	30, 32, 37, 39, 48, 50, 67–70, 111, 113, 125, 128, 136, 139, 167–234	Ground connection
Reserved	17–21, 55–58, 71–90, 92–95, 100, 102, 103, 107, 108, 114–124, 129–135, 140–146, 160	Pins are not connected internally, but are reserved for future use. Leave them unconnected to ensure compatibility with other Sierra Wireless CF3 modules.

>> 11: Customization

Subject to commercial terms, Sierra Wireless can supply custom-configured modems to facilitate a carrier's network and performance requirements. Sierra Wireless also offers a standard configuration for each country.

Custom configurations are entered into a selector spreadsheet that Sierra supplies. A unique part number is assigned to each custom configuration to facilitate customer ordering.

Table 11-1: Customizable Features

Name	Description	Default
Display of IMSI	Display of International Mobile Subscriber Identity via AT+CIMI command	Display enabled
UART baud rate	Default UART speed	115200 bps
UART enabled	Defines whether UART port is enabled by default or not	UART disabled

>> 12: Testing

12.1 Certification Testing

Note: Typically, certification testing of your device with the integrated module is required one time only.

The AirPrime RC76xx module has been certified as described in [Compliance Acceptance and Certification on page 104](#).

When you produce a host device with a Sierra Wireless AirPrime embedded module, you must obtain certifications for the final product from appropriate regulatory bodies in the jurisdictions where it will be distributed.

The following are *some* of the regulatory bodies from which you may require certification — it is your responsibility to make sure that you obtain all necessary certifications for your product from these or other groups:

- FCC (Federal Communications Commission — www.fcc.gov)
- GCF (Global Certification Forum — www.globalcertificationforum.org) outside of North America
- PTCRB (PCS Type Certification Review Board — www.ptcrb.com) in North America

12.2 Production Testing

Note: Production testing typically continues for the life of the product.

Production testing ensures that, for each assembled device, the module is installed correctly (I/O signals are passed between the host and module), and the antenna is connected and performing to specifications (RF tests).

Typical items to test include:

- Host connectivity
- Baseband (host/module connectors)
- RF assembly (Tx and/or Rx, as appropriate)
- Network availability
- Host/device configuration issues

*Note: The number and types of tests to perform are **your** decision—the tests listed in this section are guidelines only. Make sure that the tests you perform exercise functionality to the degree that **your** situation requires.*

Use an appropriate test station and use AT commands to control the integrated module.

Note: Your test location must be protected from ESD to avoid interference with the module and antenna(s), assuming that your test computer is in a disassembled state. Also, consider using an RF shielding box—local government regulations may prohibit unauthorized transmissions.

Note: The tests described in this chapter are done using a Linux O/S (e.g. Ubuntu 12.04).

12.3 Functional Production Test

This section presents a suggested procedure for performing a basic manual functional test on a laboratory bench using an AirPrime RC76xx module and a hardware development kit. When you have become familiar with the testing method, use it to develop your own automated production testing procedures.

12.3.1 Suggested Production Tests

Consider the following tests when you design your production test procedures for devices with the module installed.

- Visual check of the module's connectors and RF assemblies
- Module is operational
- USB connection is functional
- LED is functional
- Power on/off
- Firmware revision check
- Rx tests on main and auxiliary paths
- Tx test

12.3.2 Production Test Procedure

The following is a suggested test plan — you must decide which tests are appropriate for your product. You may wish to add additional tests that more fully exercise the capabilities of your product.

Using an appropriate test station, and referring to the appropriate AT command references:

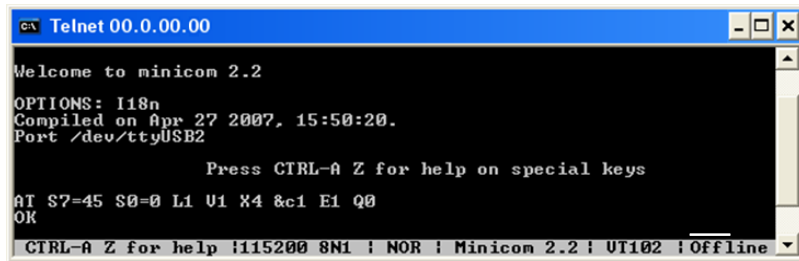
1. Visually inspect the module for obvious defects (such as tainted or damaged shields) before installing it in the test station.
2. Ensure that the module is powered off (no voltage on VBAT_BB/VBAT_RF) before beginning your tests.
3. Determine whether any USB devices are currently connected to the computer:
 - a. Open a shell window and enter the command `ls /dev/tty/USB*`.
 - b. Record the `ttyUSBn` values that are returned; these are the currently connected USB devices. If the command returns “no such file or directory”, there are no devices currently connected.
4. Provide power to the module (voltage on VBAT_BB/VBAT_RF).

5. Test POWER_ON_N — Turn on the module by driving POWER_ON_N low, as shown in [Figure 4-1 on page 56](#).
6. Test USB functionality — Check for USB enumeration.
Enter the command `ls /dev/tty/USB*` and then record and compare the results with those from [Step 3](#). If there are any new `ttyUSBn` devices, then the modem has enumerated successfully. (The AT port is usually the *last* new device.)
7. Make sure your modem is connected and running, and then establish contact with the module:
Use a terminal emulation/communications program such as `minicom` to connect over the device handle for AT commands (see listings in [Step 6](#)):

Note: If the command “minicom” is not found, then use a different program, or download minicom and repeat this step. See [Downloading and Configuring minicom for Linux Systems on page 119](#) for details.

- a. Start minicom:
 - First use of the modem: From the command line, type `minicom -s`. (The ‘-s’ switch shows the configuration menu.)
 - Subsequent uses: From the command line, type `minicom`. (The ‘-s’ switch is assumed.)

The minicom configuration details appear and the message OK appears when the connection is established.



8. Display the firmware version using `ATI`.
9. Unlock the extended AT command set with `AT!ENTERCND=<password>`.

Note: Use `AT!ENTERCND?` to check command syntax which is SKU-dependent.

10. Test the LED — Visually confirm that the LED turns on and off using:
 - `AT!LEDTEST=0,1` (LED on)
 - `AT!LEDTEST=0,0` (LED off)
11. Put the module in diagnostic/factory test mode using `AT!DAFTMACT`:
12. Communicate with the SIM using `AT+CPIN` or `AT+CIMI`.
13. Test RF transmission, if desired. See [LTE RF Transmission Path Test on page 119](#).
14. Test RF reception, if desired. See [LTE RF Receive Path Test on page 122](#).
15. Test standalone GNSS functionality. See [GNSS RF Receive Path Test on page 123](#).
16. Remove power from the module.

12.3.2.1 Downloading and Configuring minicom for Linux Systems

Note: This procedure is for Ubuntu systems. If you are using a different Linux distribution, use the appropriate commands for your system to download minicom.

To download and configure minicom in a Ubuntu system:

Note: To install minicom, you must have root access, or be included in the sudoers list.

1. Download and install minicom by entering `sudo apt-get install minicom`.
2. When prompted, enter your user password to begin the download and installation. When minicom is installed, the shell prompt appears.
3. Configure minicom to communicate with your modem. Start minicom with command `minicom -s`.
4. Use the down-arrow key to select the **Serial port setup** option.
5. Refer to [Step 6](#) on page 118 to identify the device file handle (/dev/ttyUSBn) used for AT commands.
6. Indicate the file handle to use for AT commands — Enter A and then replace the serial device string with the AT file handle.
7. Press **Enter** twice.
8. Use the down-arrow key to select **Save setup as dfi**.
9. Select **Exit**.

12.4 LTE RF Transmission Path Test

Important: *As of the publication date of this document, the test procedure described is to be considered preliminary, pending implementation of some commands in a future firmware upgrade.*

Note: This procedure segment is performed in [Step 13](#) of the [Production Test Procedure on page 117](#).

The suggested test procedure that follows uses the parameters in the following tables.

Table 12-1: Test Settings — LTE Transmission Path

Band		Frequency (MHz)	Band ID	Channel ^a
1900 MHz	B2	1880.0	43	18900
1700 MHz	B4	1732.4	42	20175
850 MHz	B5	836.5	45	20525
700 MHz	B12	707.5	50	23095
700 MHz	B13	782.0	36	23230

Table 12-1: Test Settings—LTE Transmission Path (Continued)

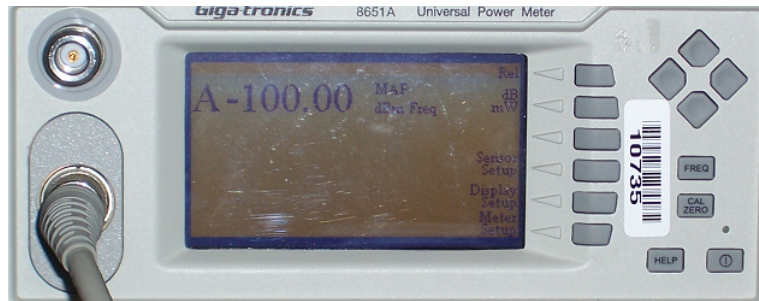
Band		Frequency (MHz)	Band ID	Channel ^a
700 MHz	B14	793.0	51	23330
1900 MHz	B25	1882.5	61	26365
850 MHz	B26	831.5	62	26865
1700 MHz	B66	1745.0	83	132322
600 MHz	B71	680.5	97	133297

a. Channel value used by the `!DASCHAN` command (`!DASCHAN` uses uplink (Tx) channel at the center of the corresponding band, for both Tx and Rx testing)

To test the DUT’s transmitter path:

Note: This procedure describes steps using the "Power Meter: Gigatronics 8651A" (with Option 12 and Power Sensor 80701A).

1. Set up the power meter:



- a. Make sure the meter has been given sufficient time to warm up, if necessary, to enable it to take accurate measurements.
 - b. Zero-calibrate the meter.
 - c. Enable MAP mode.
2. Prepare the DUT using the following AT commands (adjusting the band, channel, bandwidth, modulation, RB allocation, NS, and power level as necessary):
- a. `AT!ENTERCND="<password>"` (Unlock extended AT command set.)
 - b. `AT!DAFTMACT` (Enter test mode.)
 - c. `AT!DASBAND=<bandValue>` (Set frequency band (e.g. 34 for LTE B1.))
 See table [Table 12-1 on page 119](#) for appropriate <bandValue> values.
 - d. `AT!DALSTXBW=3` (Set Tx bandwidth to 10 MHz.)
 - e. `AT!DALSRXBW=3` (Set Rx bandwidth to 10 MHz.)
 - f. `AT!DASCHAN=<channel>` (Set modem channel (e.g. 18300 for LTE B1.))
 See tables [Table 12-1 on page 119](#) for appropriate <channel> values.
 - g. `AT!DALSTXMOD=0` (Set Tx modulation type to QPSK.)

-
- h. AT!DALSWAVEFORM=1,12,0,19** (Set the Tx waveform characteristics. Make sure to set the correct resource block allocation (2nd parameter) appropriately. For example, 12 is used to produce max power — refer to 3GPP 36.521 table for Maximum Power Reduction (MPR) for Power Class 3 for more information.)
 - i. AT!DALSNSVAL=1** (Set the LTE NS (Net Sig) value.)
 - j. AT!DASTXON** (Turn on the transmitter. Note that the transmitter will put out the last power level that was programmed.)
 - k. AT!DALSTXPWR=1,10** (Begin transmitting at requested power level.)
 - l.** Take the measurement.
 - m.** Repeat [Step k](#) with different power levels if desired.
 - n. AT!DALSTXPWR=0,0** (Reduce Tx power to 0, so next time transmitter is turned on, it will come on with 0 dBm power.)
 - o. AT!DASTXOFF** (Turn off the transmitter.)
- 3.** Test limits — Run ten or more good DUTs through this test procedure to obtain a nominal output power value.
- Apply a tolerance of ± 5 to 6 dB to each measurement (assuming a good setup design).
 - Monitor these limits during mass-production ramp-up to determine if further adjustments are needed.

Note: The module has a nominal output power of +23 dBm ± 1 dB in LTE mode. However, the value measured by the power meter is significantly influenced (beyond the stated ± 1 dB output power tolerance) by the test setup (host RF cabling loss, antenna efficiency and pattern, test antenna efficiency and pattern, and choice of shield box).

Note: When doing the same test over the air in an RF chamber, values are likely to be significantly lower.

12.5 LTE RF Receive Path Test

Note: This procedure segment is performed in Step 14 of the Production Test Procedure on page 117.

The suggested test procedure that follows uses the parameters in the following tables.

Table 12-2: Test Settings — LTE Receive Path

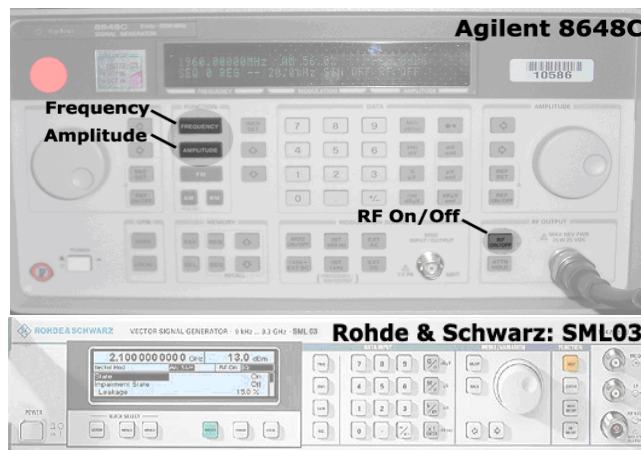
Band		Frequency ^a (MHz)	Band ID	Channel ^b
1900 MHz	B2	1962.00	43	18900
1700 MHz	B4	2134.50	42	20175
850 MHz	B5	883.50	45	20525
700 MHz	B12	739.50	50	23095
780 MHz	B13	753.00	36	23230
700 MHz	B14	763.0	51	23330
1900 MHz	B25	1964.5	61	26365
850 MHz	B26	878.5	62	26865
1700 MHz	B66	2157	83	132322
600 MHz	B71	635.5	97	133297

- a. Receive frequencies shown are 2 MHz offset from center
- b. Channel value used by the `!DASCHAN` command (`!DASCHAN` uses uplink (Tx) channel at the center of the corresponding band, for both Tx and Rx testing)

To test the DUT's receive path (or diversity path, while connected to the diversity antenna):

1. Set up the signal generator:

Note: This procedure describes steps using the Agilent 8648C signal generator—the Rohde & Schwarz SML03 is shown for reference only.



- a. Set the amplitude to -70 dBm

- b. Set the frequency for the band being tested. See [Table 12-2 on page 122](#) for frequency values.
2. Set up the DUT:
 - a. **AT!ENTERCND=""<password>"** (Unlock extended AT command set.)
 - b. **AT!DAFTMACT** (Put modem into factory test mode.)
 - c. **AT!DASBAND=<band>** (Set frequency band.)
See tables [Table 12-2 on page 122](#) for <band> values
 - d. **AT!DALSRXBW=2** (Set Rx LTE bandwidth to 5MHz.)
 - e. **AT!DALSTXBW=2** (Set Tx LTE bandwidth to 5MHz.)
 - f. **AT!DASCHAN=<channel>** (Set modem channel)
 - See tables [Table 12-2 on page 122](#) for <channel> values
 - g. **AT!DALGAVGAGC=<channel>,0** (Get averaged Rx AGC)
 - See tables [Table 12-2 on page 122](#) for <channel> values
3. Test limits — Run ten or more good DUTs through this test procedure to obtain a nominal received power value.
 - Apply a tolerance of ± 5 to 6 dB to each measurement (assuming a good setup design).
 - Make sure the measurement is made at a high enough level that it is not influenced by DUT-generated and ambient noise.
 - The Signal Generator power level can be adjusted and new limits found if the radiated test needs greater signal strength.
 - Monitor these limits during mass-production ramp-up to determine if further adjustments are needed.

Note: The value measured from the DUT is significantly influenced by the test setup and DUT design (host RF cabling loss, antenna efficiency and pattern, test antenna efficiency and pattern, and choice of shield box).

12.6 GNSS RF Receive Path Test

The GNSS receive path uses the dedicated GNSS connector.

To test the GNSS receive path:

1. Inject a carrier signal at -110dBm, frequency 1575.52 MHz into the GNSS Rx path at the connector. (Note that this frequency is 100 kHz higher than the actual GPS L1 center frequency.)
2. Test the signal carrier-to-noise level at the GNSS receiver:
 - a. **AT!ENTERCND=""<password>"** (Unlock extended AT command set.)
 - b. **AT!DAFTMACT** (Put modem into factory test mode.)
 - c. **AT!DACGPSTESTMODE=1** (Start CGPS diagnostic task.)
 - d. **AT!DACGPSSTANDALONE=1** (Enter standalone RF mode.)
 - e. **AT!DACGPSMASKON** (Enable log mask.)
 - f. **AT!DACGPSCTON** (Return signal-to-noise and frequency measurements.)

>> 13: References

For more details, several references can be consulted, as detailed below.

13.1 Web Site Support

Check <http://source.sierrawireless.com> for the latest documentation available.

13.2 Reference Documents

- [1] AirPrime RC7611 AT Command Reference
Reference number: TBD
- [2] AirPrime RC76xx Scalability Guide
Reference number: 41113646
- [3] AirPrime RC76xx Customer Process Guidelines
Reference number: 41113573
- [4] legato.io for Legato API details
- [5] Inter-Chip USB Supplement to the USB 2.0 Specification Revision 1.0
- [6] I²C Bus Specification, Version 5.0, October 2012
Reference: Phillips Semiconductor document number 9398 393 40011

>> 14: Abbreviations

Table 14-1: Acronyms and Definitions

Acronym or Term	Definition
3GPP	3rd Generation Partnership Project
8PSK	Octagonal Phase Shift Keying
ADC	Analog to Digital Converter
AF	Audio-Frequency
API	Application Programming Interface
AT	Attention (prefix for modem commands)
BeiDou	BeiDou Navigation Satellite System A Chinese system that uses a series of satellites in geostationary and middle earth orbits to provide navigational data.
BER	Bit Error Rate—A measure of receive sensitivity
BLER	Block Error Rate
Bluetooth	Wireless protocol for data exchange over short distances
CEP CEP-##	Circular Error Probability—Measure of GPS horizontal accuracy indicating the radius of a circle around the actual position that contains 50% of GPS measurements. CEP-##—Radius of circle containing ##% of GPS measurements (e.g. CEP-90 indicates 90% of measurements contained within circle)
CF3	Common Flexible Form Factor
CLK	Clock
CMOS	Complementary Metal Oxide Semiconductor
CPU	Central Processing Unit
CQI	Channel Quality Indication
CS	Circuit-Switched Coding Scheme
CTS	Clear To Send
CW	Continuous waveform
DAC	Digital to Analog Converter
dB	Decibel = $10 \times \log_{10} (P1/P2)$ <i>P1 is calculated power; P2 is reference power</i> Decibel = $20 \times \log_{10} (V1/V2)$ <i>V1 is calculated voltage, V2 is reference voltage</i>
dBm	A logarithmic (base 10) measure of relative power (dB for decibels); relative to milliwatts (m). A dBm value will be 30 units (1000 times) larger (less negative) than a dBW value, because of the difference in scale (milliwatts vs. watts).

Table 14-1: Acronyms and Definitions (Continued)

Acronym or Term	Definition
DC	Direct Current
DCD	Data Carrier Detect
DCS	Digital Cellular System A cellular communication infrastructure that uses the 1.8 GHz radio spectrum.
DL	Downlink (network to mobile)
DRX	Discontinuous Reception
DSR	Data Set Ready
DTR	Data Terminal Ready
E-GSM	Extended GSM
EDGE	Enhance Data rates for GSM Evolution
EFR	Enhanced Full Rate
EGPRS	Enhance GPRS
EIRP	Effective (or Equivalent) Isotropic Radiated Power
EMC	Electromagnetic Compatibility
EN	Enable
ERP	Effective Radiated Power
ESD	Electrostatic Discharges
eSIM	Embedded SIM
ETSI	European Telecommunications Standards Institute
FCC	Federal Communications Commission The U.S. federal agency that is responsible for interstate and foreign communications. The FCC regulates commercial and private radio spectrum management, sets rates for communications services, determines standards for equipment, and controls broadcast licensing. Consult www.fcc.gov .
FDD	Frequency Division Duplex
FDMA	Frequency Division Multiple Access
firmware	Software stored in ROM or EEPROM; essential programs that remain even when the system is turned off. Firmware is easier to change than hardware but more permanent than software stored on disk.
FOV	Field Of View
FR	Full Rate
FSN	Factory Serial Number—A unique serial number assigned to the module during manufacturing.
Galileo	A European system that uses a series of satellites in middle earth orbit to provide navigational data.

Table 14-1: Acronyms and Definitions (Continued)

Acronym or Term	Definition
GCF	Global Certification Forum
GLONASS	Global Navigation Satellite System—A Russian system that uses a series of 24 satellites in middle circular orbit to provide navigational data.
GMSK	Gaussian Minimum Shift Keying modulation
GND	Ground
GNSS	Global Navigation Satellite Systems (GPS, GLONASS, BeiDou, and Galileo)
GPIO	General Purpose Input Output
GPRS	General Packet Radio Service
GPS	Global Positioning System An American system that uses a series of 24 satellites in middle circular orbit to provide navigational data.
GSM	Global System for Mobile communications
Hi Z	High impedance (Z)
Host	The device into which an embedded module is integrated
HR	Half Rate
HSDPA	High Speed Downlink Packet Access
HSUPA	High Speed Uplink Packet Access
Hz	Hertz = 1 cycle/second
I/O	Input/Output
IC	Industry Canada
IC	Integrated Circuit
IMEI	International Mobile Equipment Identity
IMS	IP Multimedia Subsystem—Architectural framework for delivering IP multimedia services.
inrush current	Peak current drawn when a device is connected or powered on
IOT	Interoperability Testing
IS	Interim Standard. After receiving industry consensus, the TIA forwards the standard to ANSI for approval.
ISIM	IMS Subscriber Identity Module.
LED	Light Emitting Diode. A semiconductor diode that emits visible or infrared light.
LGA	Land Grid Array
LHCP	Left-Hand Circular Polarized

Table 14-1: Acronyms and Definitions (Continued)

Acronym or Term	Definition
LNA	Low noise Amplifier
LTE	Long Term Evolution—a high-performance air interface for cellular mobile communication systems.
MAX	Maximum
MCS	Modulation and Coding Scheme
MHz	Megahertz = 10e6 Hz
MIC	Microphone
MIMO	Multiple Input Multiple Output—wireless antenna technology that uses multiple antennas at both transmitter and receiver side. This improves performance.
MIN	Minimum
MO	Mobile Originated
MT	Mobile Terminated
N/A	Not Applicable
NMEA	National Marine Electronics Association
NOM	Nominal
OEM	Original Equipment Manufacturer—a company that manufactures a product and sells it to a reseller.
PA	Power Amplifier
packet	A short, fixed-length block of data, including a header, that is transmitted as a unit in a communications network.
PBCCH	Packet Broadcast Control Channel
PC	Personal Computer
PCB	Printed Circuit Board
PCL	Power Control Level
PCS	Personal Communication System A cellular communication infrastructure that uses the 1.9 GHz radio spectrum.
PDN	Packet Data Network
PFM	Power Frequency Modulation
PLL	Phase Lock Loop
PMIC	Power Management Integrated Circuit
PSM	Phase Shift Modulation
PSS	Primary synchronization signal
PST	Product Support Tools

Table 14-1: Acronyms and Definitions (Continued)

Acronym or Term	Definition
PTCRB	PCS Type Certification Review Board
PWM	Pulse Width Modulation
QAM	Quadrature Amplitude Modulation. This form of modulation uses amplitude, frequency, and phase to transfer data on the carrier wave.
QPSK	Quadrature Phase-Shift Keying
R2C	Ready-To-Connect
RAM	Random Access Memory
RAT	Radio Access Technology
RF	Radio Frequency
RHCP	Right Hand Circular Polarization
RI	Ring Indicator
RSE	Radiated Spurious Emissions
RSSI	Received Signal Strength Indication
RST	Reset
RTC	Real Time Clock
RTS	Request To Send
RX	Receive
SCLK	Serial Clock
SED	Smart Error Detection
Sensitivity (Audio)	Measure of lowest power signal that the receiver can measure.
Sensitivity (RF)	Measure of lowest power signal at the receiver input that can provide a prescribed BER/BLER/SNR value at the receiver output.
SIM	Subscriber Identity Module.
SIMO	Single Input Multiple Output—Wireless antenna technology that uses multiple antennas at the receiver side and one antenna at the source (transmitter).
SKU	Stock Keeping Unit—identifies an inventory item: a unique code, consisting of numbers or letters and numbers, assigned to a product by a retailer for purposes of identification and inventory control.
SMS	Short Message Service
SNR	Signal-to-Noise Ratio
SPI	Serial Peripheral Interface
SPK	Speaker
SW	Software

Table 14-1: Acronyms and Definitions (Continued)

Acronym or Term	Definition
TBC	To Be Confirmed
TBD	To Be Determined
TDD	Time Division Duplex
TIA/EIA	Telecommunications Industry Association / Electronics Industry Association. A standards setting trade organization, whose members provide communications and information technology products, systems, distribution services and professional services in the United States and around the world. Consult www.tiaonline.org .
TIS	Total Isotropic Sensitivity
TP	Test Point
TRP	Total Radiated Power
TX	Transmit
TYP	Typical
UART	Universal Asynchronous Receiver-Transmitter
UE	User Equipment
UICC	Universal Integrated Circuit Card
UIM	User Identity Module. Generic term used in this document to refer to UICC, where the application on the UICC (USIM, ISIM, CSIM, etc.) varies depending on the provider of the card.
UL	Uplink (mobile to network)
UMTS	Universal Mobile Telecommunications System
USB	Universal Serial Bus
USB-SS	USB Selective Suspend/USB not enumerated
USIM	Universal Subscriber Identity Module (UMTS)
USSD	Unstructured Supplementary Services Data
UTRA	UMTS Terrestrial Radio Access
VBAT-BB	Baseband power supply
VBAT-RF	RF power supply
VCC	Supply voltage
VSWR	Voltage Standing Wave Ratio
WCDMA	Wideband Code Division Multiple Access (also referred to as UMTS)
WLAN	Wireless Local Area Network
WWAN	Wireless Wide Area Network
ZIF	Zero Intermediate Frequency