

MATERIALS AND FINISHES

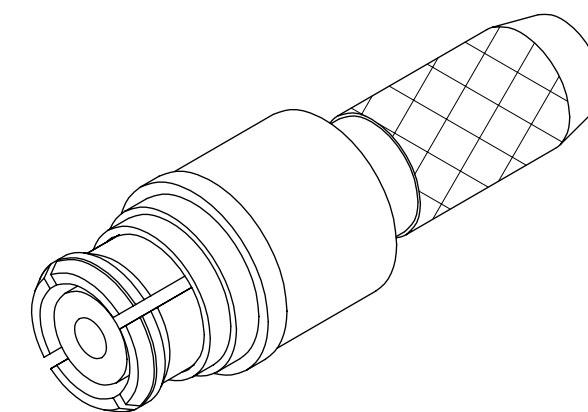
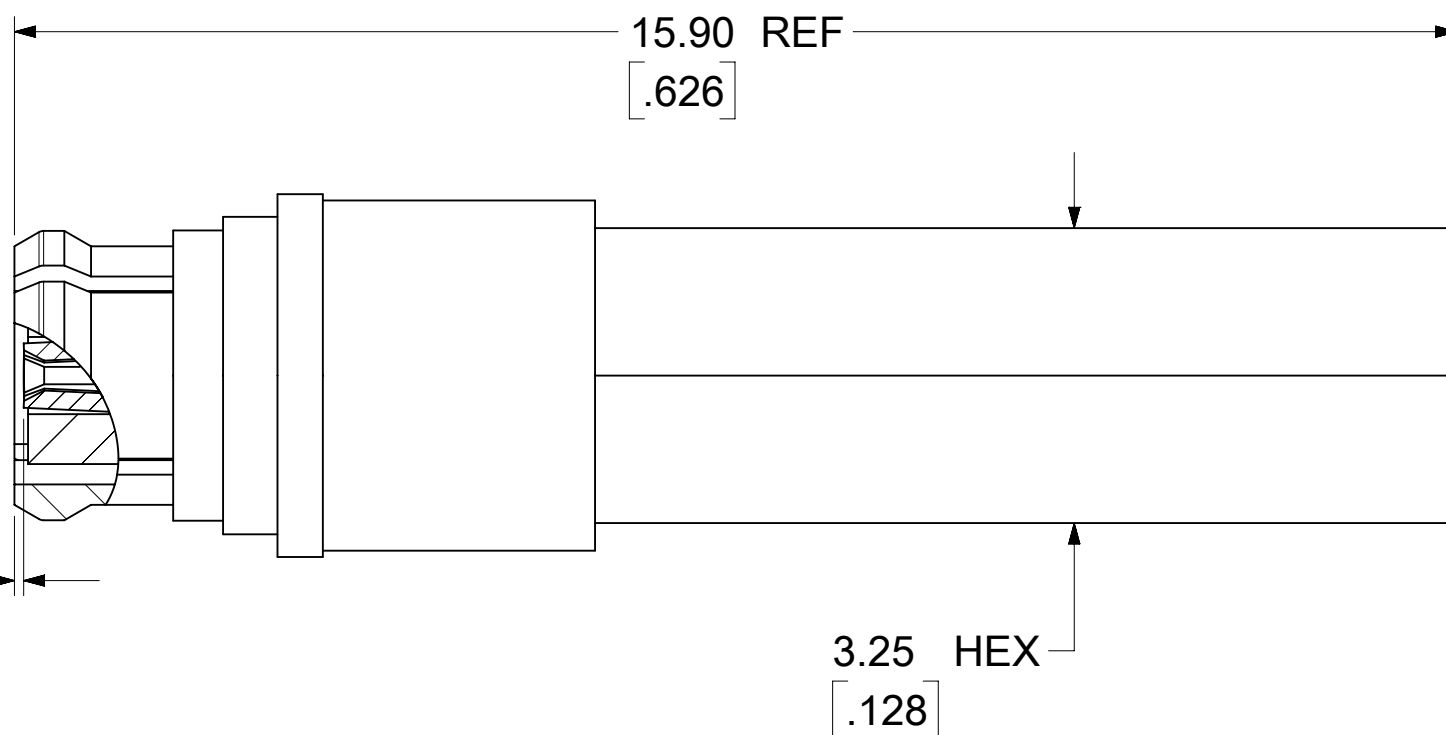
BODY: BERYLLIUM COPPER
PLATED GOLD

CENTER CONTACT: BERYLLIUM COPPER
PLATED GOLD

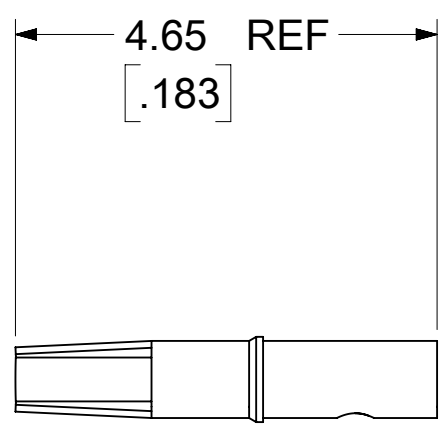
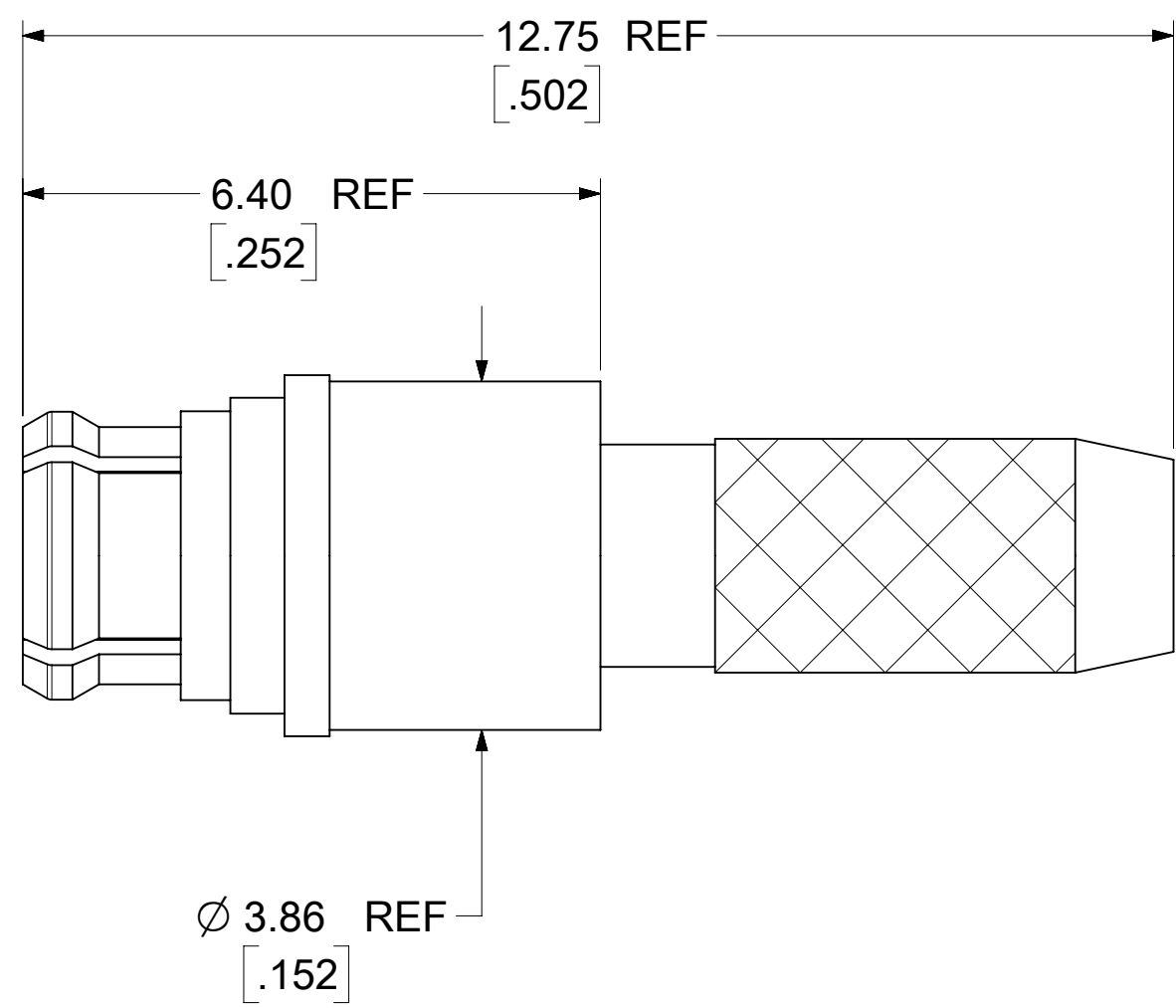
INSULATOR: TEFLON

CRIMP TUBE: BRASS
PLATED NICKEL

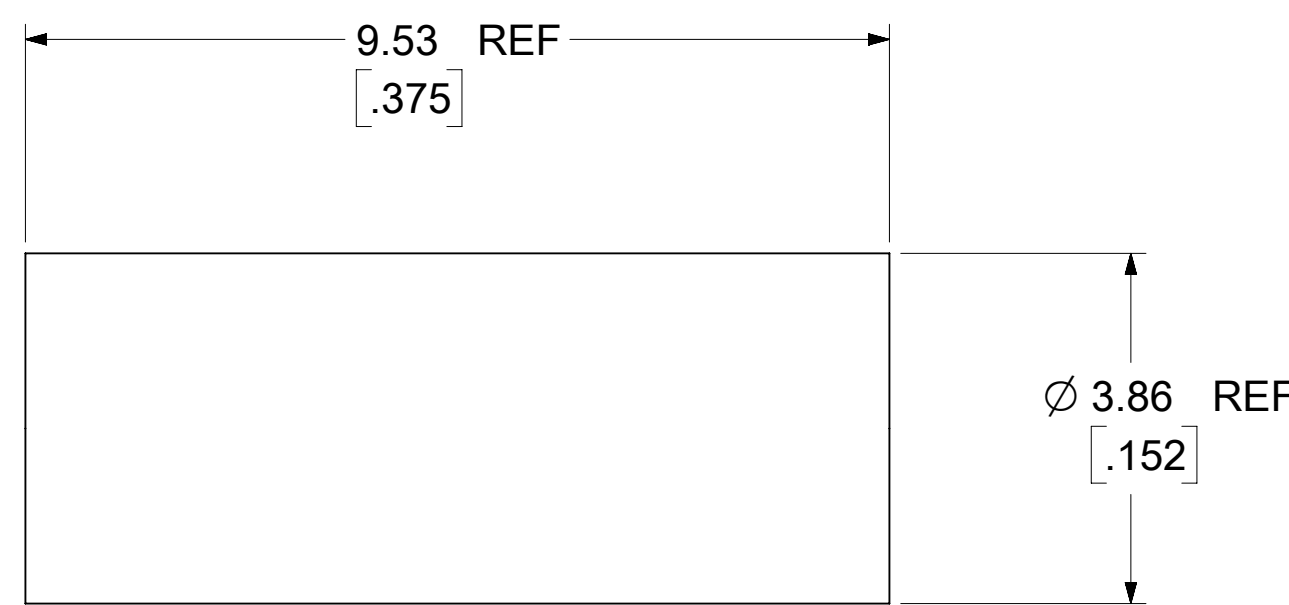
EMI RING: BRASS
PLATED GOLD



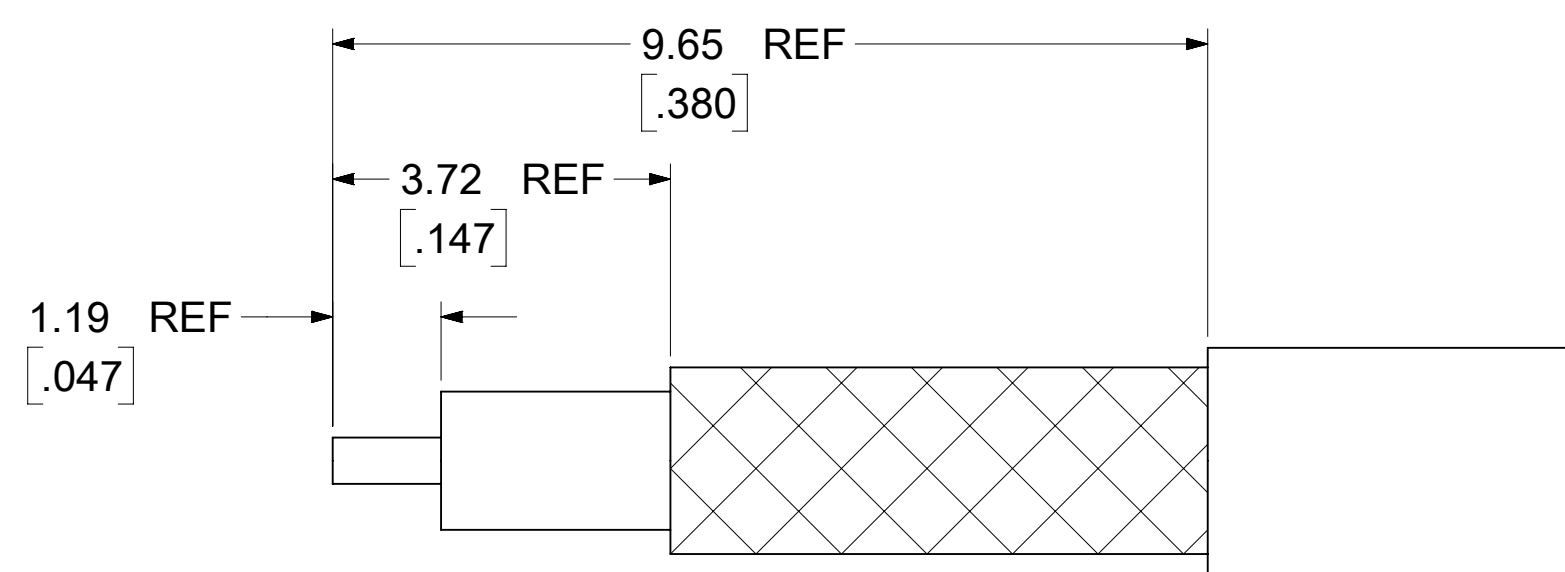
RG316 CABLE



CENTER CONTACT



CRIMP TUBE



RECOMMENDED CABLE
STRIP DIMENSIONS

73415-4811	ONE PER BAG	895420470
73415-4810	TRAY	895420040
PART #	PACKAGING	PACKING SPEC

MIL-STD-348A, FIG. 326.1a	INTERFACE
SPECIFICATION	DESCRIPTION

FUNCTIONAL SYMBOLS	THIS DRAWING CONTAINS INFORMATION THAT IS PROPRIETARY TO MOLEX ELECTRONIC TECHNOLOGIES, LLC AND SHOULD NOT BE USED WITHOUT WRITTEN PERMISSION		CURRENT REV DESC:		
$\frac{F}{A} = 0$ $\frac{F}{C} = 0$ $\frac{F}{P} = 0$	DIMENSION UNITS	SCALE	EWR # 15321-E ADDED -4811 PART NO		
DIVISIONAL SYMBOLS	MM/INCH	NTS	EC NO: 718007		
	GENERAL TOLERANCES (UNLESS SPECIFIED)		DRWN: JSU18	2022/08/11	
	ANGULAR TOL	± 2.0°	CHK'D: YCHENG	2022/08/24	PRODUCT CUSTOMER DRAWING
	4 PLACES	±	APPR: YCHENG	2022/08/24	
	3 PLACES	±	INITIAL REVISION:		DOCUMENT NUMBER
	2 PLACES	±	DRWN: AROBERTSON	2008/09/23	
	1 PLACE	±	APPR: JWIENER	2008/09/23	SD-73415-481
	0 PLACES	±	THIRD ANGLE PROJECTION		DOC TYPE
	DRAFT WHERE APPLICABLE MUST REMAIN WITHIN DIMENSIONS		DRAWING	SERIES	DOC PART
			C-SIZE	73415	REVISION
					PSD 001 A2
					MATERIAL NUMBER
					CUSTOMER
					SHEET NUMBER
					GENERAL MARKET
					1 OF 1