

MATERIALS AND FINISHES

BODY, CRIMP TUBE, CAP,
SLEEVE, COUPLING NUT: BRASS
PLATED NICKEL

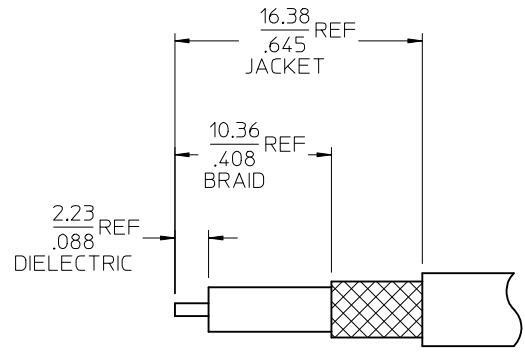
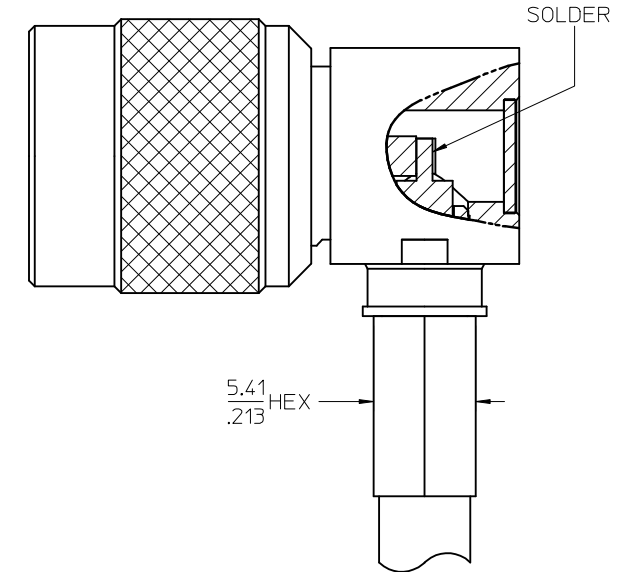
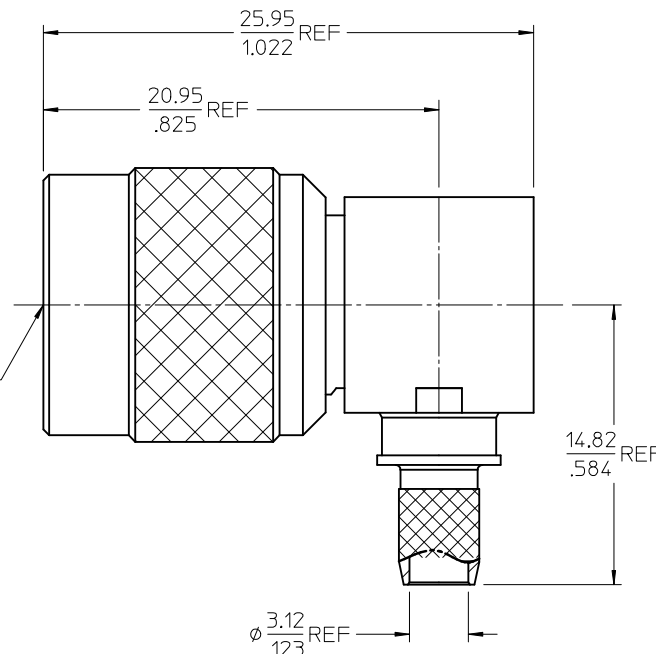
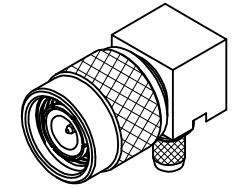
CENTER CONTACT BRASS
PLATED GOLD

INSULATOR TEFLON

GASKET SILICONE RUBBER

TNC PLUG
INTERFACE

CAP



CABLE STRIP DIMENSIONS

NOTE: 73216-0050 IS
SAME AS 73216-1510

73216-0051	ONE PER BAG
73216-0050	TRAY
PART NO.	PACKAGING

PS-89675-1400	ELECTRICAL/MECHANICAL
SPECIFICATION	DESCRIPTION

CHG: 73216-0050 PKG TRAY WAS STD PER RF15-E278	EC NO: URF2016-0091	DRWNG: CME102	2015/08/06
CHKD: JAPPR: YCHENG	2015/08/07	DESCRIPTION	
REV	A4		

QUALITY SYMBOLS	∇=0
	∇=0
	∇=0

GENERAL TOLERANCES (UNLESS SPECIFIED)	mm	INCH
4 PLACES	± .005	± .0002
3 PLACES	± .003	± .0001
2 PLACES	± .002	± .00005
1 PLACE	± .001	± .00002
0 PLACE	± .0005	± .00001
ANGULAR ± 2 °		
DRAFT WHERE APPLICABLE MUST REMAIN WITHIN DIMENSIONS		

DIMENSION STYLE	MM/IN
DRAWN BY	DATE
CHECKED BY	DATE
APPROVED BY	DATE
MATERIAL NO.	SEE TABLE

SCALE	DESIGN UNITS	THIRD ANGLE PROJECTION
	METRIC	
TITLE		
TNC PLUG, R/A, 50 OHM FOR RG58, 141, 303 EWR-2717, TNC-PC		
molex		
DOCUMENT NO.	SD-73216-005	SHEET NO.
		1 OF 1