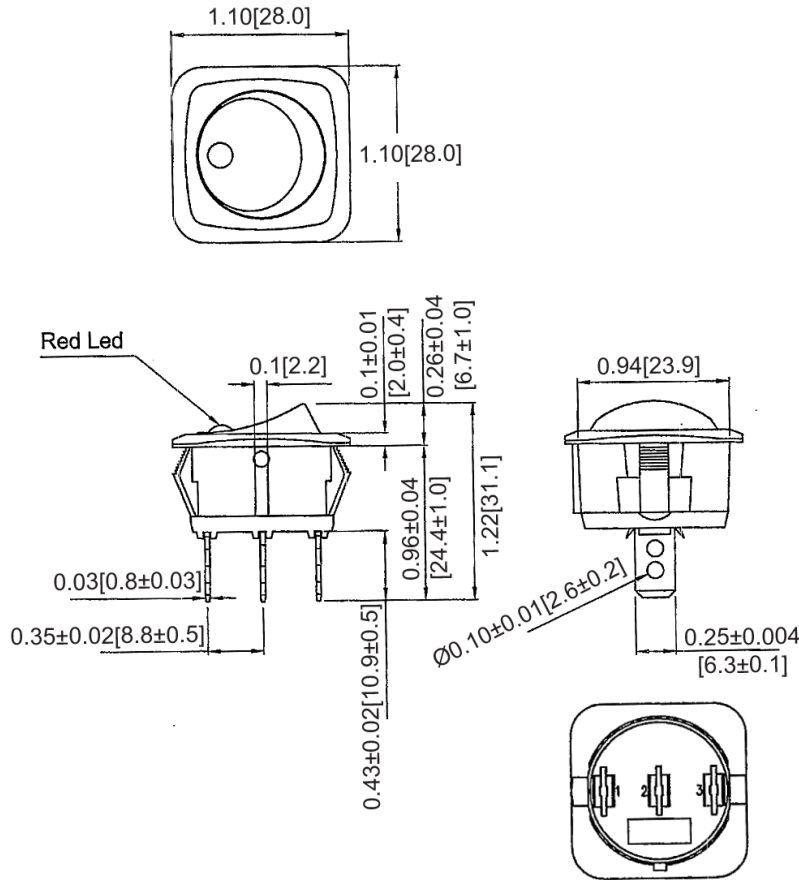
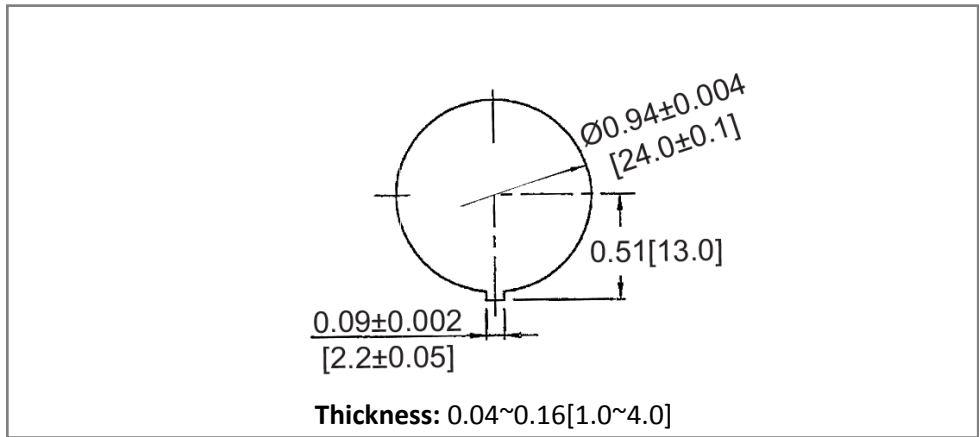


**Mechanical Dimensions: Inches [mm]**

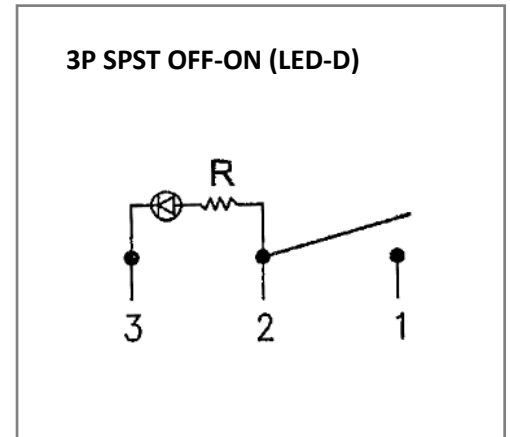
Tolerances  $\pm 0.012$  [0.3] Unless Otherwise Specified



**Mounting Hole**



**Circuit Diagram**



**Electrical Specifications**

Rating	25A 12V DC
Contact Resistance	50m ohm Max
Insulation Resistance	DC 500V 100M ohm Min
Dielectric Strength	AC 1500V 1 minute
Operation Temperature	-20°C ~ 65°C

**Material Specifications**

Frame	Black, Nylon 66
Actuator	Black, Nylon#66+33%GF
LED	Yellow (Dependent)

Rev	Date of issue	Revision Notes	Designed	Approved
B	07-13-2021	Initial Drawing	RC	OF