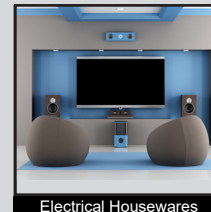
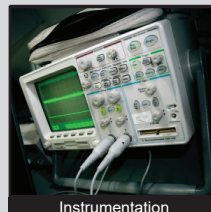
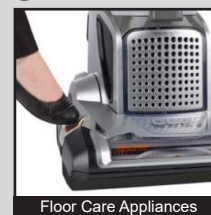


RA1 SERIES ROCKER SWITCH

ANTI-VANDAL SWITCHES
DETECTOR SWITCHES
DIP SWITCHES
KEYLOCK SWITCHES
NAVIGATION SWITCHES
PUSHBUTTON SWITCHES
ROCKER SWITCHES
ROTARY SWITCHES
SLIDE SWITCHES
SNAP ACTION SWITCHES
TACTILE SWITCHES
TOGGLE SWITCHES
CAP OPTIONS



APPLICATIONS / MARKETS



SPECIFICATIONS

Electrical Rating:

Option 3: 10A 125VAC [UR, cUR]

Option C: 16A 125VAC [UR, cUR]

10A 250VAC [UR, cUR]

Operating Temperature: -20°C to 105°C

Electrical Life: 10,000 Cycles

Contact Resistance: 30mΩ Max.

Insulation Resistance: 500MΩ Min. at 500VDC

Dielectric Strength: 1,000VAC for 1 min.

Ingress Protection: IP54 with PVC Cap (ACC-P01)

FEATURES & BENEFITS

- High Rating
- Snap in with multiple terminal options
- Many functions available

PART NUMBER CONFIGURATOR

Series	Terminal	Function	Rating	Body Color	Actuator Color	Marking Color	Marking Type	Lens Style	Lens Color	Lamp Voltage
<input type="text" value="RA1"/> <input type="text" value="-"/> <input type="text" value="Curved"/> RA1 - Curved Actuator	<input type="text" value="1"/> 1 - 4.8mm Tab	<input type="text" value="0"/> 0 - Signal / Blank 1 - Off - On 3 - On - On 4 - Off - (On) 5 - On - Off - On A - On - (Off) C - On - Off - (On)	<input type="text" value="0"/> 0 - Signal / Blank 3 - 10A 125V C - 16A 125V	<input type="text" value="1"/> 1 - Black 2 - White 4 - Grey	<input type="text" value="0"/> 0 - Full Illumination 1 - Black 2 - White 4 - Grey 7 - Blue 8 - Green 9 - Red	<input type="text" value="0"/> 0 - None 1 - Black 2 - White 8 - Red	<input type="text" value="0"/> 0 - None 1 - I/O Vertical 2 - ON-OFF-ON Vertical 3 - ON-OFF Vertical 4 - ON-OFF Horizontal 9 - I/O/II Horizontal R - I/O Horizontal S - I/O/II Vertical	<input type="text" value="None"/> None - Not Illuminated 1 - Signal	<input type="text" value="None"/> None - Not Illuminated 0 - Clear 1 - Red 2 - Amber 3 - Green 4 - Blue 5 - Yellow	<input type="text" value="None"/> None - Not Illuminated 3 - 6V 4 - 12V 6 - 125V 7 - 250V

NOTES:

1. Other terminal options available upon request.
2. () denotes function is momentary

Specifications subject to change without notice 11.3.2022



E-SWITCH®

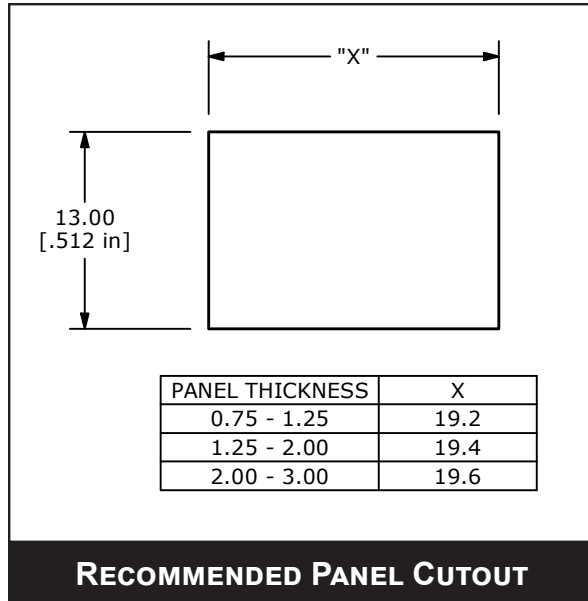
www.e-switch.com

800.867.2717

1

RA1 SERIES ROCKER SWITCH

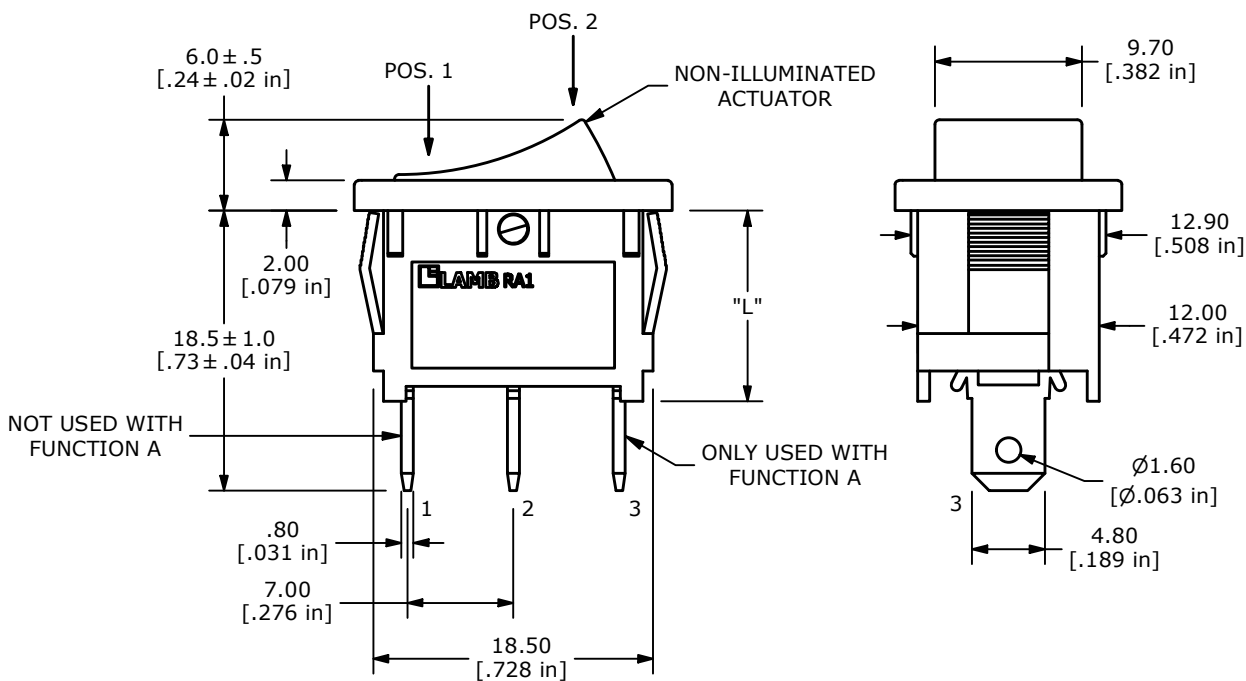
2 POS. NON-ILLUMINATED BODY DIMENSIONS



SWITCH FUNCTIONS	POS. 1	POS. 2
1 - OFF - ON	OPEN	2-1
4 - OFF - (ON)	OPEN	2-1
A - ON - (OFF)	2-3	OPEN

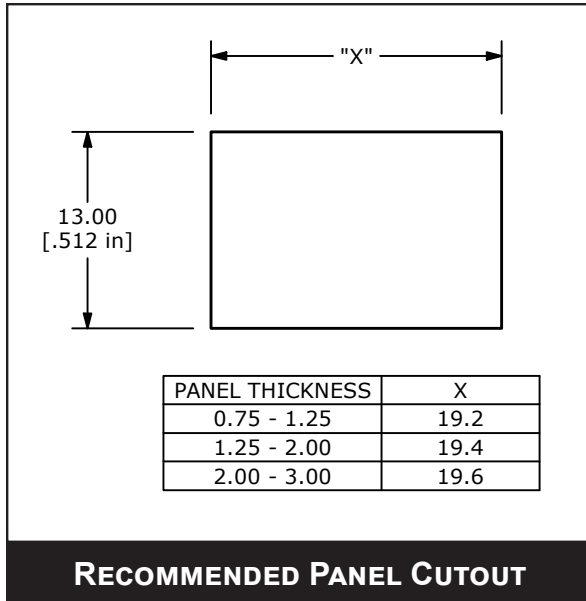
() = DENOTES MOMENTARY

RATING	"L"
3	11.6
C	12.6



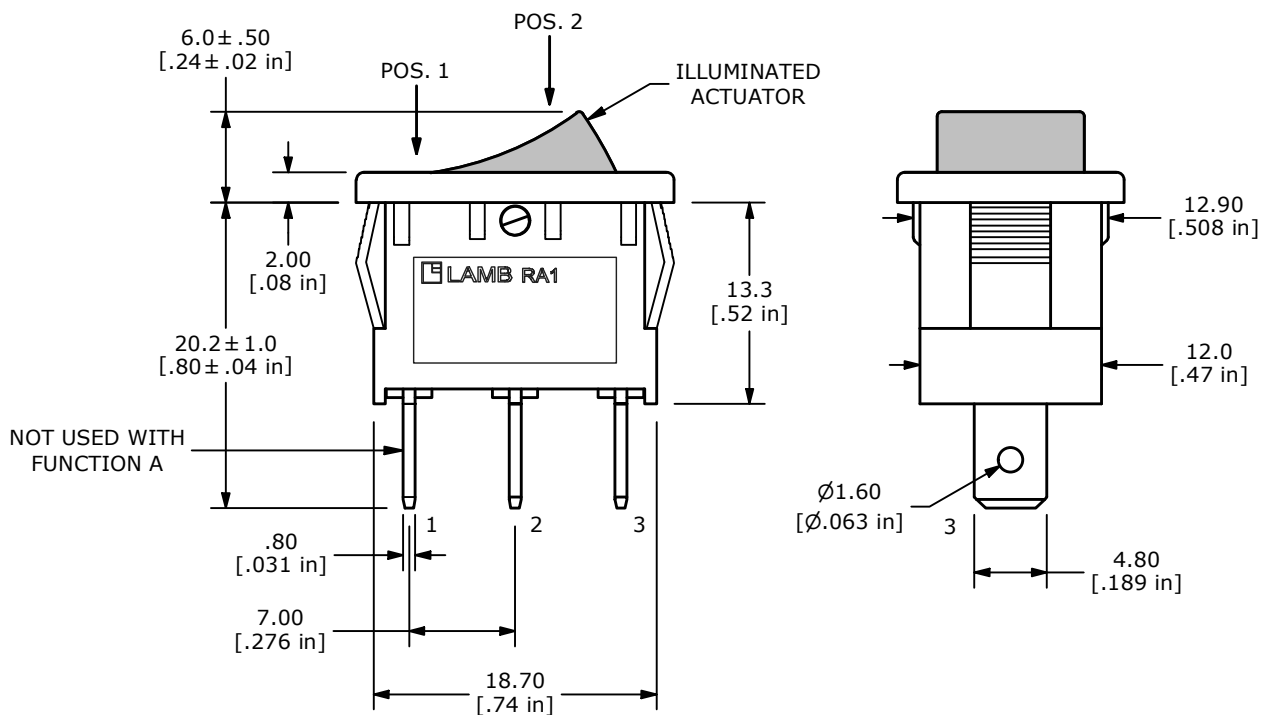
RA1 SERIES ROCKER SWITCH

2 POS. ILLUMINATED BODY DIMENSIONS



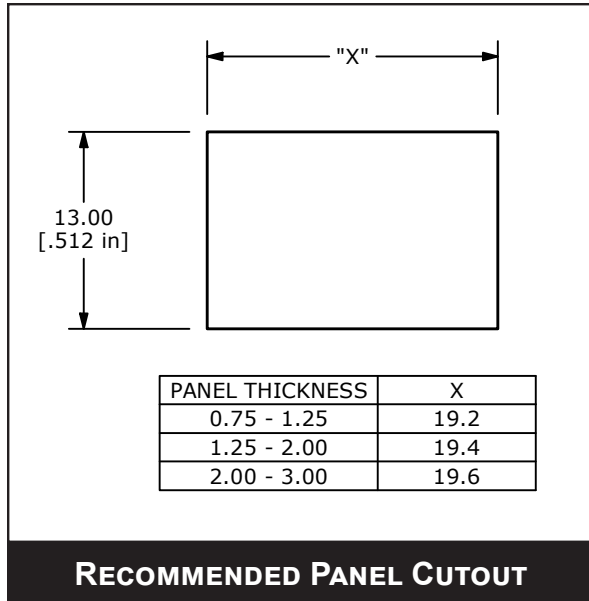
SWITCH FUNCTIONS	POS. 1	POS. 2
1 - OFF - ON	OPEN	2-1
4 - OFF - (ON)	OPEN	2-1
A - ON - (OFF)	2-3	OPEN

() = DENOTES MOMENTARY



RA1 SERIES ROCKER SWITCH

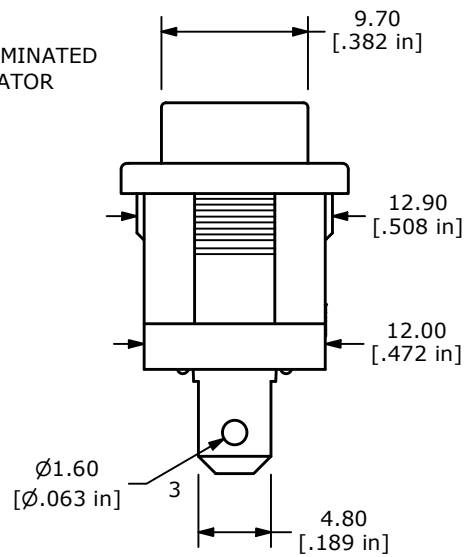
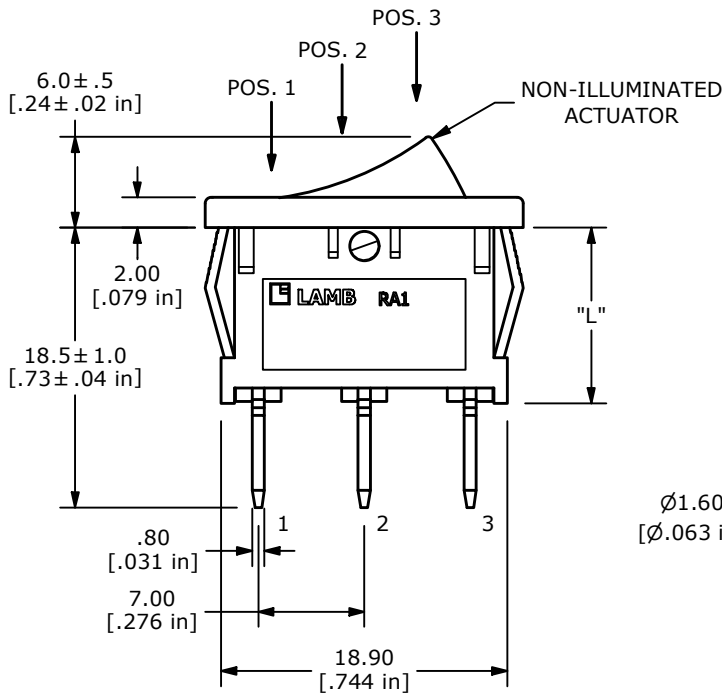
3 POS. NON-ILLUMINATED BODY DIMENSIONS



SWITCH FUNCTIONS	POS. 1	POS. 2	POS. 3
5 - ON-OFF-ON	2-3	OPEN	2-1
C - ON-OFF-(ON)	2-3	OPEN	2-1

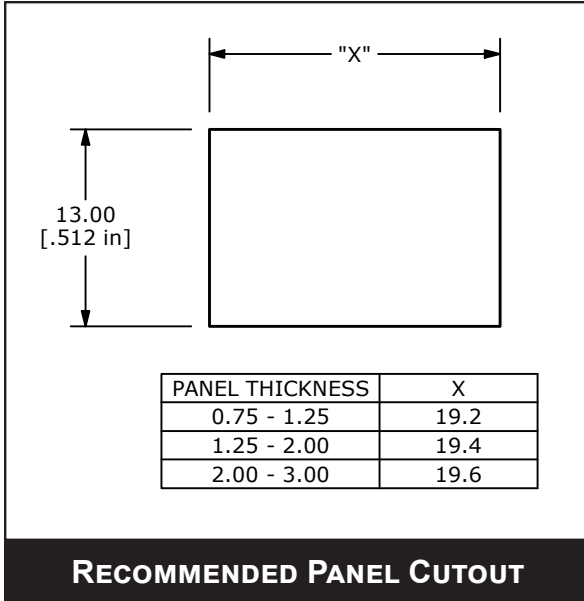
() = DENOTES MOMENTARY

RATING	"L"
3	11.6
C	12.6



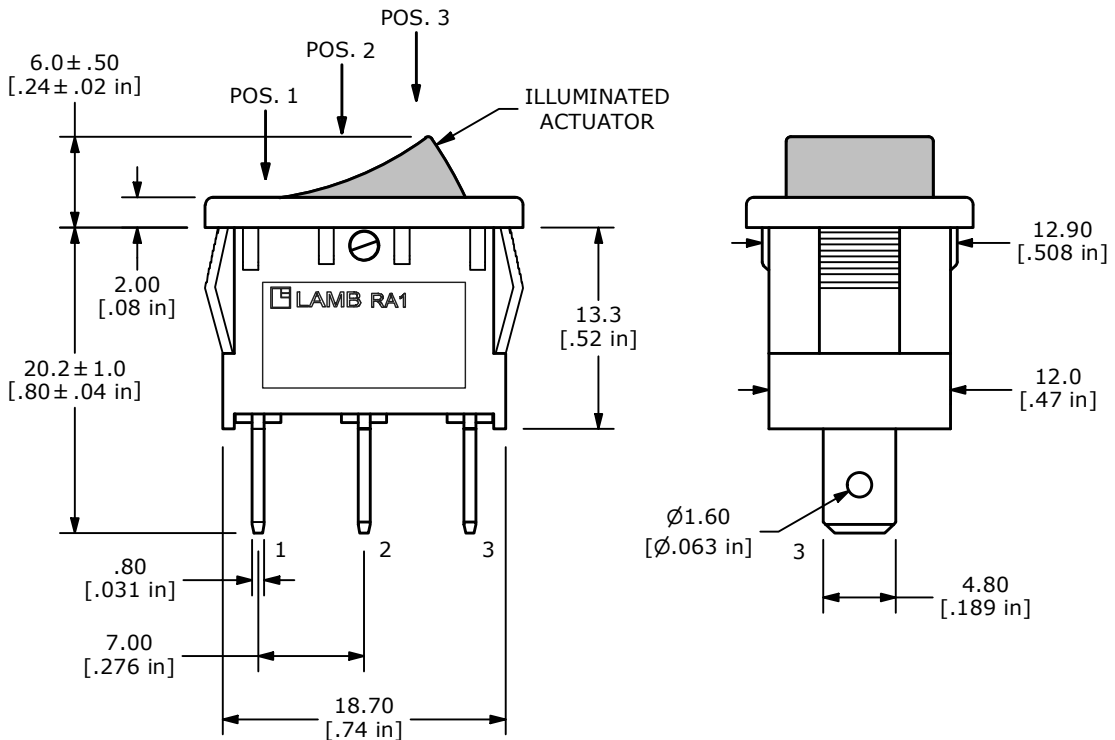
RA1 SERIES ROCKER SWITCH

3 POS. ILLUMINATED BODY DIMENSIONS



SWITCH FUNCTIONS	POS. 1	POS. 2	POS. 3
5 - ON-OFF-ON	2-3	OPEN	2-1
C - ON-OFF-(ON)	2-3	OPEN	2-1

() = DENOTES MOMENTARY

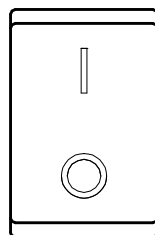


RA1 SERIES ROCKER SWITCH

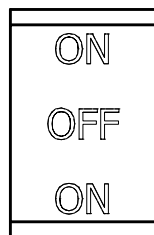
MARKING TYPE



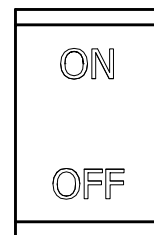
0 - NONE



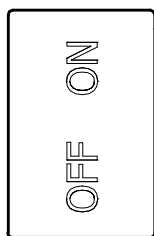
1 - I/O
VERTICAL



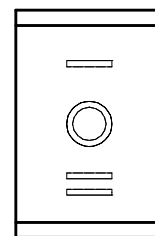
2 - ON/OFF/ON
VERTICAL



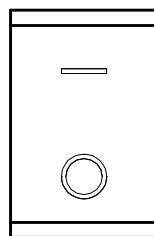
3 - ON-OFF
VERTICAL



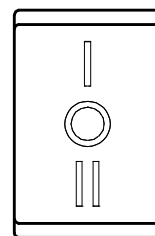
4 - ON-OFF
HORIZONTAL



9 - I/O/II
HORIZONTAL



R - I/O
HORIZONTAL



S - I/O/II
VERTICAL

ANTI-VANDAL
SWITCHES

DETECTOR
SWITCHES

DIP
SWITCHES

KEYLOCK
SWITCHES

NAVIGATION
SWITCHES

PUSHBUTTON
SWITCHES

**ROCKER
SWITCHES**

ROTARY
SWITCHES

SLIDE
SWITCHES

SNAP ACTION
SWITCHES

TACTILE
SWITCHES

TOGGLE
SWITCHES

CAP
OPTIONS

