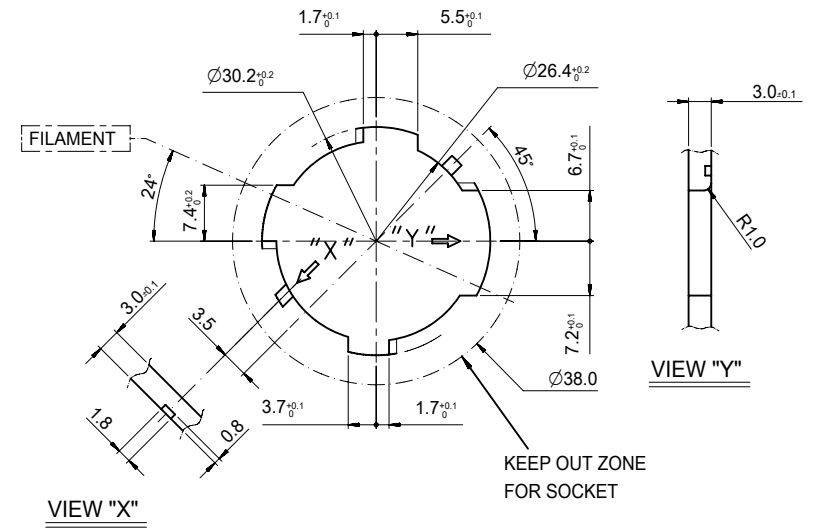
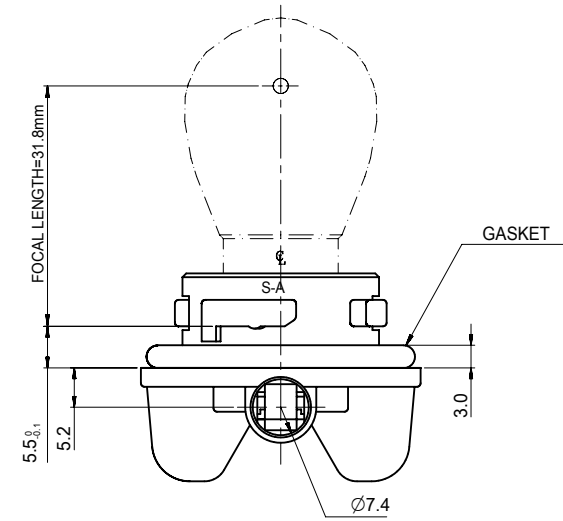
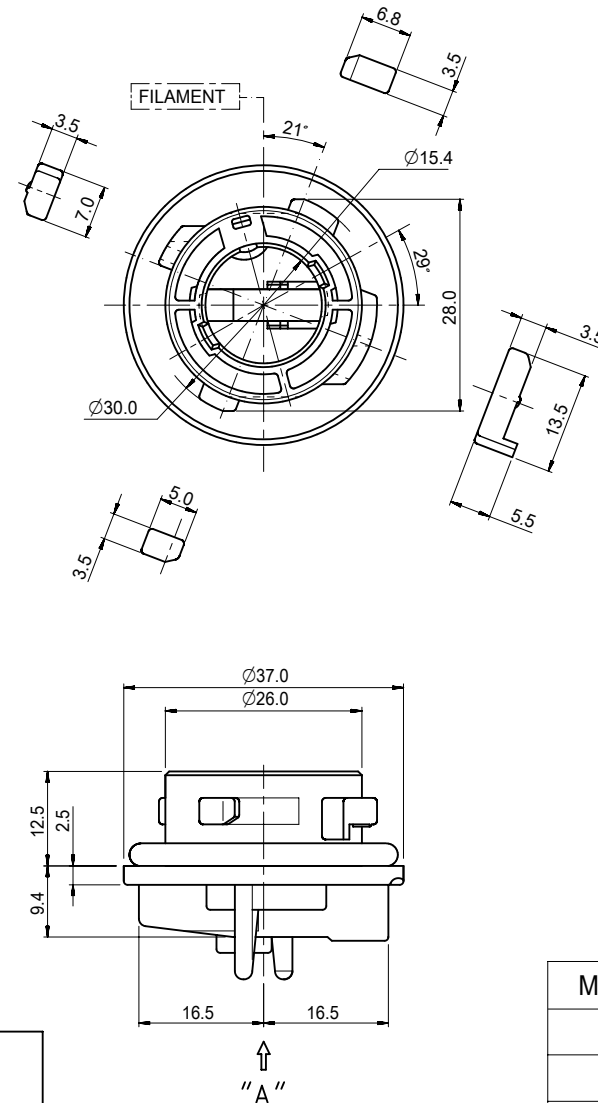
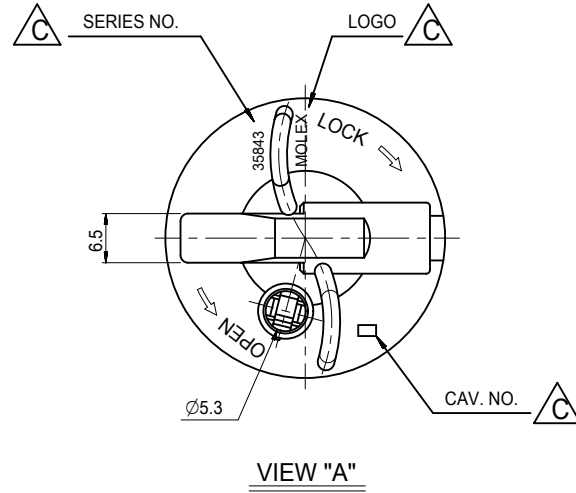


- NOTES
1. FOCAL LENGTH = 31.8mm
  2. PRODUCT SPECIFICATION: PS-35842-001
  3. APPLICABLE BULB CAP: P21W(BA15s)
  4. MATES WITH

NO.	DESCRIPTION	MATERIAL	ORDER NO.	REMARK
③	POSITIVE TERMINAL	PHOSPHOR BRONZE	35464-8000	UNPLATED
④	POSITIVE WIRE SEAL	SILICONE	35903-0096	BROWN
⑤	EARTH TERMINAL	PHOSPHOR BRONZE	35465-8000	UNPLATED
⑥	EARTH WIRE SEAL	SILICONE	35903-0106	BLUE

<PART LIST>

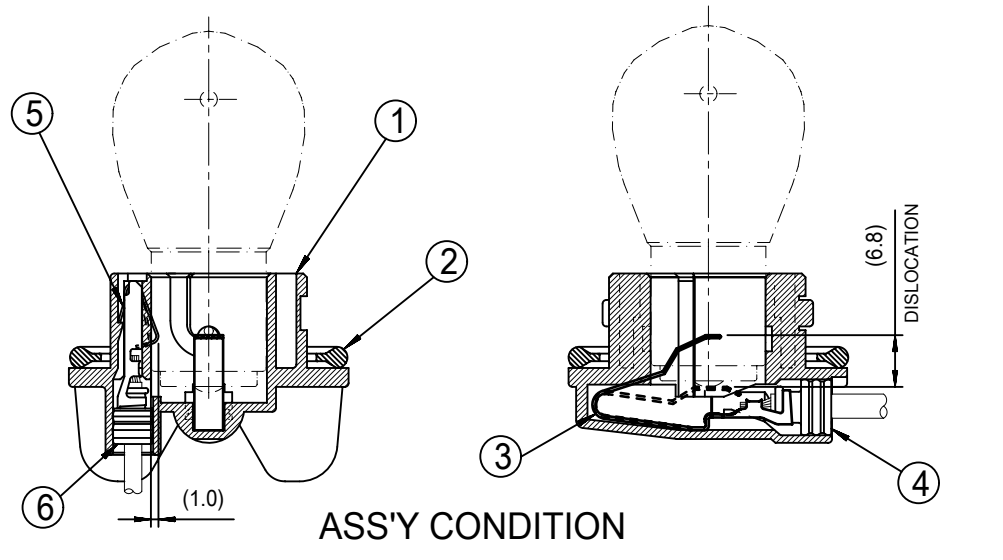
NO.	DESCRIPTION	MATERIAL	USAGE	REMARK
①	SINGLE SOCKET	PA66 M/F	1	A TYPE
②	SEAL GASKET	SILICONE	1	BLUE



MOUNTING INTERFACE (MI-1)

<TABLE 1> C2

MATERIAL NO.	ORDER NO.	COLOR
358432206	35843-2206	WHITE
358432205	35843-2205	GRAY
358432201	35843-2201	BLACK



ASS'Y CONDITION

THIS DRAWING CONTAINS INFORMATION THAT IS PROPRIETARY TO MOLEX ELECTRONIC TECHNOLOGIES, LLC AND SHOULD NOT BE USED WITHOUT WRITTEN PERMISSION											
QUALITY SYMBOLS	EC NO: 607528 DRWN: SAKIM CHKD: JHJANG APPR: JHJANG	GENERAL TOLERANCES (UNLESS SPECIFIED)		DIMENSION UNITS	SCALE	 SEALED BULB SOCKET SINGLE ASS'Y-A TYPE (SILICONE GASKET TYPE)					
		ANGULAR TOL ± 2.0 °		mm	1:1						
▽ = 0	2018/11/13	4 PLACES ±	DRWN BY	DATE							
▽ = 0	2018/11/14	3 PLACES ±	EOKIM	2007/12/10							
▽ = 0	2018/11/14	2 PLACES ± 0.15	CHK'D BY	DATE							
▽ = 0		1 PLACE ± 0.25	BCYOON	2007/12/10							
▽ = 0		0 PLACES ±	APPR BY	DATE							
▽ = 0		DRAFT WHERE APPLICABLE MUST REMAIN WITHIN DIMENSIONS	YUNSIKKIM	2007/12/10							
▽ = 0			DRAWING SIZE	THIRD ANGLE PROJECTION							
			B								
C2		REV		35843		SERIES		MATERIAL NUMBER		CUSTOMER	
				SD-35843-220		DOCUMENT NUMBER		DOC TYPE		DOC PART SHEET NUMBER	
						PSD		001		1 OF 1	