

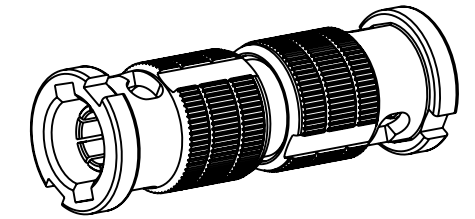
NOTES:

1. MATERIALS AND FINISHES:
 BODY - BeCu, NICKEL PLATING
 CONTACT - PHOSPHOR BRONZE, GOLD PLATING
 INSULATORS - PTFE, NATURAL
 WASHERS, RETAINING RINGS &
 BAYONET SLEEVE - BRASS, NICKEL PLATING
 SPRINGS - STAINLESS STEEL, PASSIVATED
 GASKETS - FLUOROSILICONE, BLACK
2. ELECTRICAL:
 A. IMPEDANCE: 75 OHM
 B. FREQUENCY RANGE: DC-18 GHz
 C. RETURN LOSS: -20 dB MIN. @ DC-6 GHz
 -15 dB MIN. @ 6-12 GHz
 D. DIELECTRIC WITHSTANDING VOLTAGE: 500 VRMS, MIN
3. MECHANICAL:
 A. DURABILITY: 500 CYCLES, MIN.
 B. TEMPERATURE RANGE: -65°C TO +165°C
4. PACKAGING:
 A. QUANTITY: SINGLE PACK
 B. MARKING: BAG TO BE MARKED
 "AMPHENOL RF, 34-1113-12G AND DATE CODE
 U.S. PATENT NO. 7,553,177"

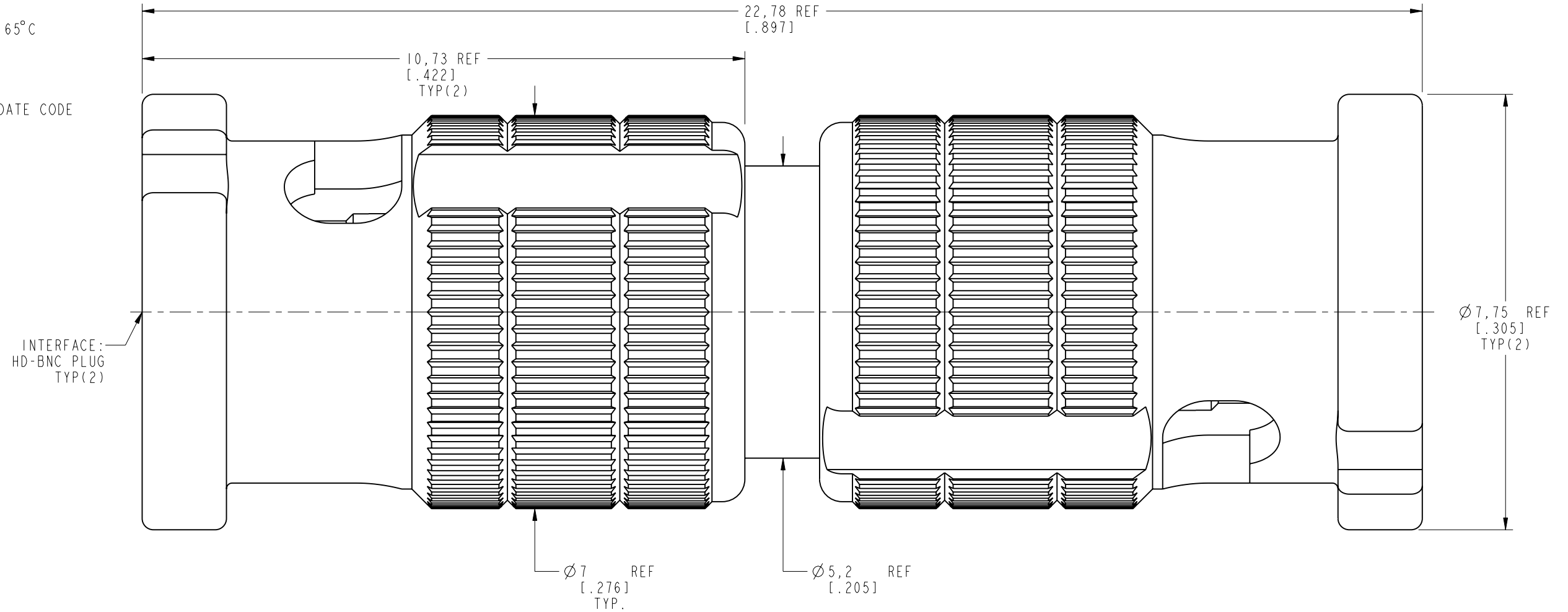
THIRD ANGLE PROJ.

REVISIONS

REV	DESCRIPTION	DATE	ECN	APPR
A	RELEASE TO MFG.	28-Aug-18	08968	BMG



SCALE 2.500



PROTECTED UNDER U.S. PATENT # 7,553,177

CUSTOMER OUTLINE DRAWING

ALL OTHER SHEETS ARE FOR INTERNAL USE ONLY

UNLESS OTHERWISE SPECIFIED, DIMENSIONS ARE IN METRIC AND TOLERANCES ARE: <0.5mm ± 0.05mm 0.5 - 6mm ± 0.1mm 6 - 30mm ± 0.2mm 30 - 120mm ± 0.3mm ANGLES ± 1°	MATERIAL	DRAWN	DATE	TITLE	Amphenol RF www.amphenolrf.com
	SEE NOTES	W. ZENG	29-Aug-18	HD-BNC STR PLUG TO PLUG ADAPTER	
NOTICE - These drawings, specifications, or other data (1) are, and remain the property of Amphenol corp. (2) must be returned upon request; and (3) are confidential and not to be disclosed to any person other than those to whom they are given by Amphenol Corp. the furnishing of these drawings, specifications, or other data by Amphenol Corp., or to any other person to anyone for any purpose is not to be regarded by implication or otherwise in any manner licensing, granting rights to permitting such holder or any other person to manufacture, use or sell any product, process or design, patented or otherwise, that may in any way be related to or disclosed by said drawings, specifications, or other data.	REFERENCE	ENGINEER	DATE	SCALE: 12.0:1.0 SHEET 2 OF 2 DWG SIZE B REV A	DRAWING NO. 34-1113-12G
	EAR# 7824	S. DUAN	30-Aug-18		ITEM NO. 34-1113-12G
	REF:	APPROVED	S. HSIEH	DATE	PART NO. 34-1113-12G
	CONFIGURATION LEVEL: In Work	CAD FILE		30-Aug-18	
FINISH					