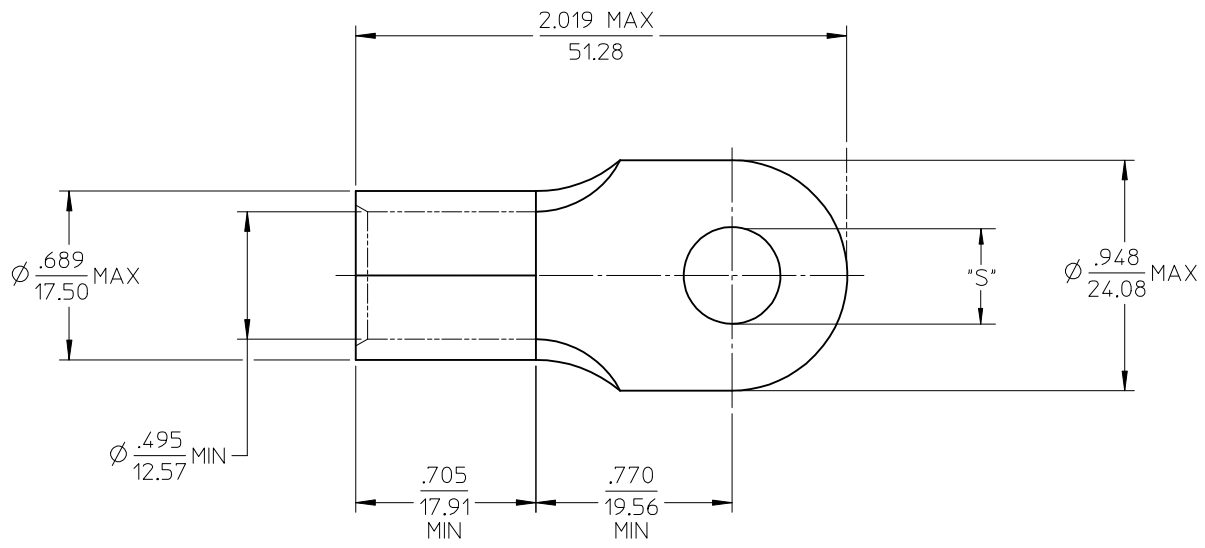


MATERIAL NO. LOOSE PIECE	ENG. NO.	STUD SIZE	±.003 "S"	STOCK THICKNESS
191930342	J-385-14	1/4	.265	.083 (2.11)
191930346	J-385-56	5/16	.328	
191930345	J-385-38	3/8	.390	
191930348	J-385-76	7/16	.453	
191930341	J-385-12	1/2	.515	



SALES DRAWING

- NOTE(S):
1. MATERIAL: COPPER
 2. PLATING: ELECTROPLATE TIN
 3. ALL DIMENSIONS IN INCHES/(MM).
 4. WIRE SIZE: 2/0 AWG
70 MM²

REVISED/UPDATE TO MX STDS EC NO: ETC2003-0315 DRWN: DMYRICK 2003/08/20 CHKD: HEB 2003/08/21 APPR: RDEROSS 2003/08/21	QUALITY SYMBOLS	GENERAL TOLERANCES (UNLESS SPECIFIED)	SCALE 2:1	DESIGN UNITS INCH	THIRD ANGLE PROJECTION	REVISE ON CAD ONLY															
	▼ - 0 ∇ - 0	<table border="1"> <thead> <tr> <th></th> <th>mm</th> <th>INCH</th> </tr> </thead> <tbody> <tr> <td>4 PLACES</td> <td>± ---</td> <td>± ---</td> </tr> <tr> <td>3 PLACES</td> <td>± ---</td> <td>± .005</td> </tr> <tr> <td>2 PLACES</td> <td>± 0.13</td> <td>± .01</td> </tr> <tr> <td>1 PLACE</td> <td>± 0.25</td> <td>± ---</td> </tr> </tbody> </table>		mm	INCH	4 PLACES	± ---	± ---	3 PLACES	± ---	± .005	2 PLACES	± 0.13	± .01	1 PLACE	± 0.25	± ---	DIMENSION STYLE IN/MM	TITLE RING TONGUE TERMINAL VERSAKRIMP 2/0 AWG		
			mm	INCH																	
	4 PLACES	± ---	± ---																		
3 PLACES	± ---	± .005																			
2 PLACES	± 0.13	± .01																			
1 PLACE	± 0.25	± ---																			
ANGULAR ±1/2° DRAFT WHERE APPLICABLE MUST REMAIN WITHIN DIMENSIONS		DRAWN BY DLM	DATE 03/06/13	MOLEX INCORPORATED																	
B		APPROVED BY RWD	DATE 03/06/13	MATERIAL NO. (SEE CHART)	DOCUMENT NO. SD-19193-009	SHEET NO. 1 OF 1															

THIS DRAWING CONTAINS INFORMATION THAT IS PROPRIETARY TO MOLEX INCORPORATED AND SHOULD NOT BE USED WITHOUT WRITTEN PERMISSION