

## Features

- Frequency range : 32.768 kHz
- SMD : Cylinder type
- External dimensions (mm)  
Φ : 2.0 x L : 6.1
- Reflowable cylinder type
- RoHS compliant & Pb free

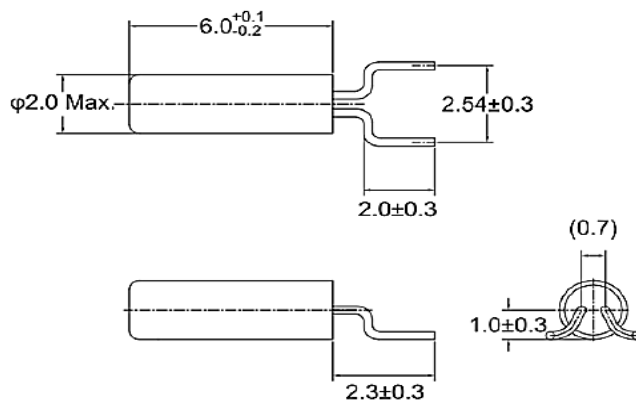
## Applications

- Real-time clock (RTC)
- Smart meters
- Security devices
- Consumer products

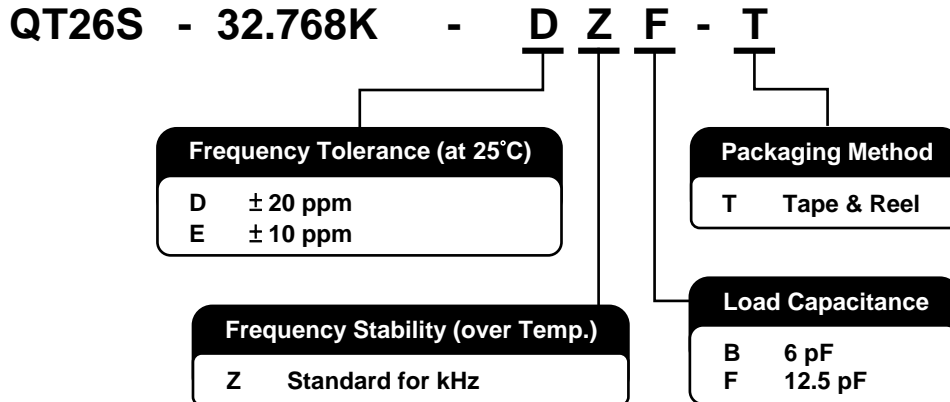
## Electrical Characteristics

Item	Symbol	QT26S	Conditions
Nominal Frequency	$f_0$	32.768 kHz	
Frequency Tolerance	$\Delta f/f_0$	$\pm 10\text{ppm}, \pm 20\text{ppm}$	at 25°C
Load Capacitance	$C_L$	6.0pF, 12.5pF	
Operating Temperature Range	$T_{OTR}$	-40°C ~ +85°C	
Storage Temperature Range	$T_{STR}$	-55°C ~ +125°C	
Turnover Temperature	$T_M$	25°C $\pm$ 5°C	
Temperature Coefficient	$\beta$	-0.034 $\pm$ 0.006ppm/°C <sup>2</sup>	
Motional Resistance (ESR)	$R_1$	50 kΩ Max.	at 25°C
Drive Level	$D_L$	1 $\mu$ W Max.	
Aging	$\Delta f/f_0$	$\pm 3$ ppm Max.	at 25°C $\pm$ 3°C, first year
Shunt Capacitance	$C_0$	1.35 pF Typ.	

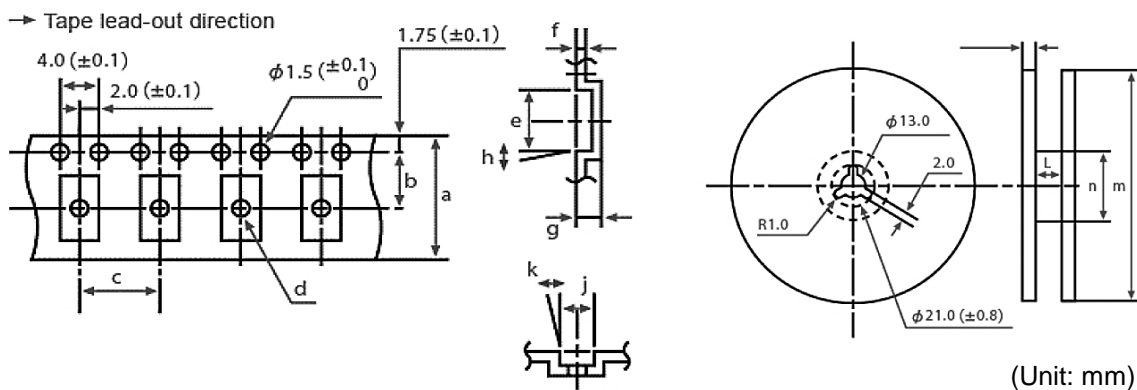
## Dimensions



## Ordering Information



## Packing



a	b	c	d (φ)	e	f	g	h	j	k	l	m (φ)	n (φ)
16.0	7.5	8.0	-	9.4	0.3	2.15	-	5.0	-	17.5	330	100

## Reflow Profile

