

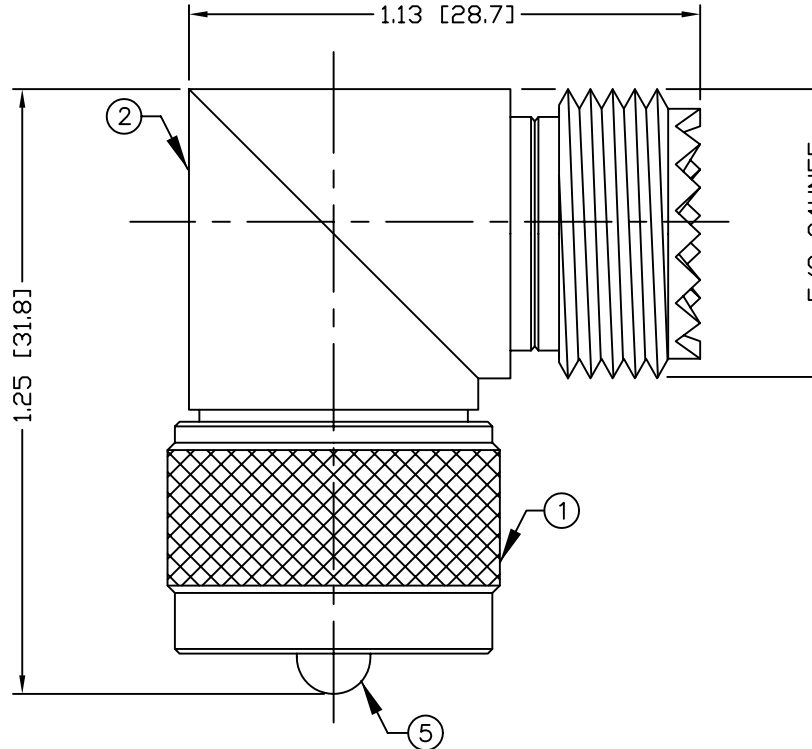
THIS DRAWING CONTAINS INFORMATION PROPRIETARY TO RF INDUSTRIES,
 ANY UNAUTHORIZED USE OF THIS DRAWING IS EXPRESSLY PROHIBITED
 WITHOUT WRITTEN PERMISSION FROM RF INDUSTRIES.
 ANY VIOLATION IS PUNISHABLE UNDER U.S. COPYRIGHT LAWS.

ALL DIMENSIONS ARE REFERENCE ONLY

PART NO.

RFU-532

REV	DESCRIPTION	DWN	DATE	APPROVED
A	ENGINEERING RELEASE	KMM	10/7/97	R. RICE
B	CHANGE BODY TO BRASS / ADD INTERNAL BODY STOPS	JDMc	5/15/98	JDMc
C	DESIGN CHANGED	JDMc	10/14/99	JDMc
D	UPDATED DWG FORMAT	CZS	4/17/06	JDMc



SPECIFICATIONS:

IMPEDANCE: NON CONSTANT
 FREQUENCY RANGE: 0-300 MHz
 WORKING VOLTAGE: 500 V rms max. @ sea level

1	SHELL	1	BRASS	NICKEL, 100μ ²	000000
2	BODY	1	BRASS	NICKEL, 100μ ²	
3	INSULATOR	1	DELTRIN	----	
4	INSULATOR	1	DELTRIN	----	
5	PIN	1	BRASS	SILVER 80μ ²	
6	CONTACT	1	BRASS	SILVER 80μ ²	
7	WASHER	1	BRASS	----	
8					
9					
10					
11					
12					
13					
14					
#	DESCRIPTION	QTY	MATERIAL	FINISH	APPROVALS

UNLESS OTHERWISE SPECIFIED:	
DRAWN	4/17/06
C. ZUNIGA	
CHECKED	
ORJ DRAWN	10/7/97
K. MAXWELL	
DECIMALS	DIAMETER

7610 MIRAMAR RD
 SAN DIEGO, CA 92126
 (858) 549-6340
 (858) 549-6345 FAX

RF connectors
 DIVISION OF RF INDUSTRIES, LTD.

UHF PLUG TO JACK
 RIGHT ANGLE ADAPTER

SIZE	CABLE GROUP	DWG NO.	REV
A	N/A	RFU-532	D

SCALE: NTS CAD FILE OUTLINE SHEET 1 OF 1

DIMENSIONS ARE IN INCHES
 AND [MILLIMETERS]
 UNLESS OTHERWISE NOTED
 TOLERANCES ARE: