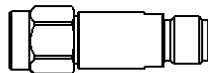
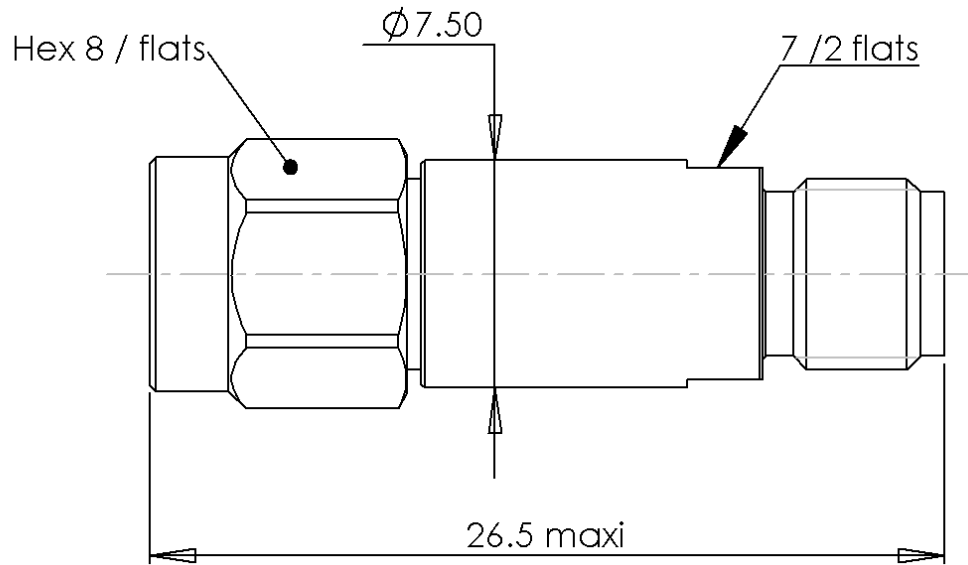
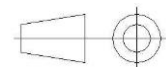
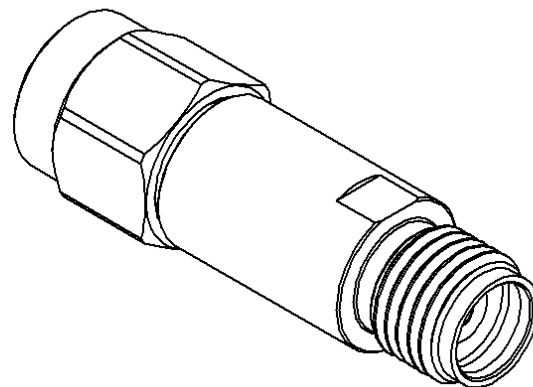


| | | | |
|----------|------------------------|-----------------------------|-------------------------------|
| PAGE 1/2 | ISSUE 02-03-15A | SERIES ATTENUATOR | PART NUMBER R413310150 |
|----------|------------------------|-----------------------------|-------------------------------|



Scale 1:1

All dimensions are in mm.



| COMPONENTS | MATERIALS | PLATING (μm) |
|-----------------------|-------------------------|---------------------------|
| Body | STAINLESS STEEL | PASSIVATED |
| Male center contact | BERYLLIUM COPPER | - |
| Female center contact | BERYLLIUM COPPER | - |
| Outer contact | STAINLESS STEEL | PASSIVATED |
| Insulator | ULTEM | |
| Gasket | SILICONE RUBBER | |
| Substrate | ALUMINA CERAMIC | |
| Resistor | - | |
| Others parts | - | |

| | | | |
|----------|------------------------|-----------------------------|-------------------------------|
| PAGE 2/2 | ISSUE 02-03-15A | SERIES ATTENUATOR | PART NUMBER R413310150 |
|----------|------------------------|-----------------------------|-------------------------------|

ELECTRICAL CHARACTERISTICS

| | | |
|-----------------|------------------|------------------|
| Frequency (GHz) | DC - 26.5 | 26.5 - 40 |
| V.S.W.R (≤) | 1.25 | 1.45 |
| Deviation(±dB) | 0.4 | 0.5 |

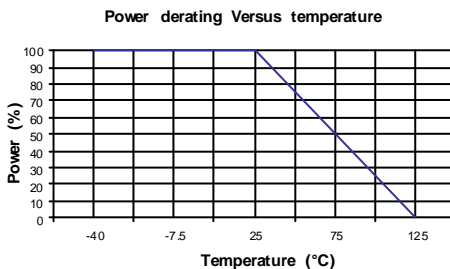
| | | |
|------------------------------|----------------|-----------------------|
| Operating Frequency Range | DC - 40 | GHz |
| Impedance | 50 | Ω |
| Nominal Attenuation | 10 | dB |
| Peak power at 25°C (1μs, 1%) | 50 | W |
| Average power at 25°C | 2 | W (Free Air Cooled) |
| | | W (Conduction Cooled) |

MECHANICAL CHARACTERISTICS

| | | | |
|------------|---------------|--------------------|--------------------|
| Connectors | SMA2.9 | Male Female | MIL-C 39012 |
| Weight | 6,6100 | g | |

ENVIRONMENTAL CHARACTERISTICS

| | | |
|-----------------------------|-----------------|----|
| Operating temperature range | -55/+125 | °C |
| Storage temperature range | -55/+125 | °C |



SPECIFICATION

OTHER CHARACTERISTICS