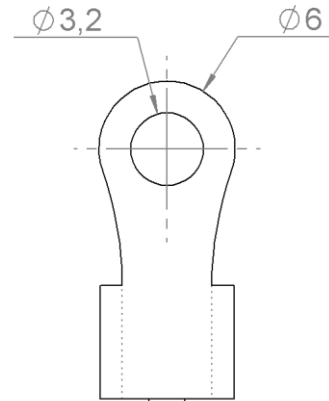
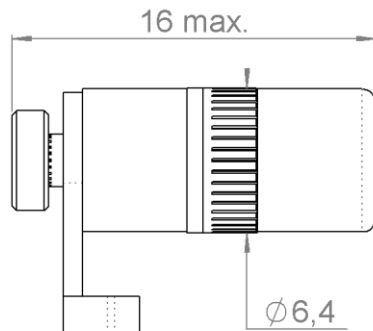
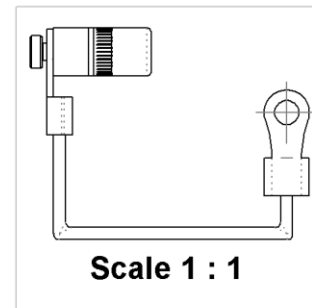
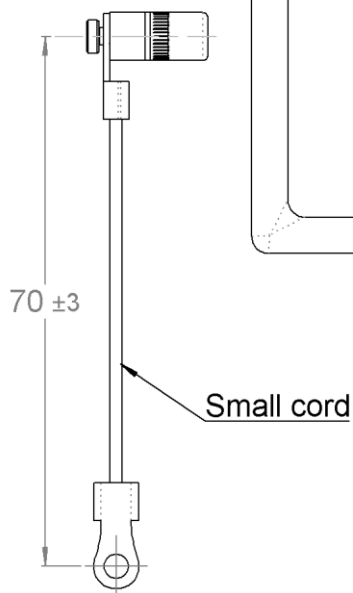


PAGE 1/2	ISSUE 23-08-18B	SERIES TERMINATION	PART NUMBER R404155000
----------	-----------------	------------------------------	-------------------------------

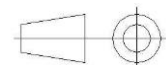
Scale 3 : 1



Scale 1 : 1



All dimensions are in mm. Tolerances according ISO 2768 m-H



COMPONENTS	MATERIALS	PLATING (µm)
Body	ARCAP AP1D	
Center contact	BERYLLIUM COPPER	GOLD 2.5 OVER NICKEL 2
Outer contact	BERYLLIUM COPPER	GOLD 0.5 OVER NICKEL 2
Insulator	PTFE	
Gasket	SILICONE RUBBER	
Substrate		
Resistor		
Others parts		

PAGE 2/2	ISSUE 23-08-18B	SERIES TERMINATION	PART NUMBER R404155000
----------	------------------------	------------------------------	-------------------------------

ELECTRICAL CHARACTERISTICS

Frequency (GHz)	DC -2	2 - 4	4 - 8
V.S.W.R (\leq)	1.10	1.20	1.25

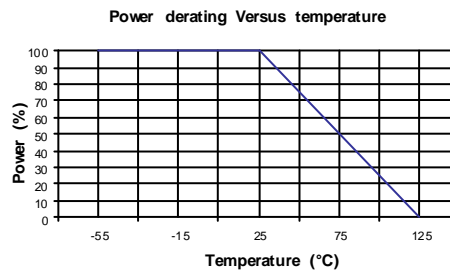
Operating Frequency Range		GHz
Impedance	50	Ω
DC Resistance	50	$\Omega \pm 5\%$
Peak power at 25°C (1 μ s, 1%)	100	W
Average power at 25°C	0.5	W (Free Air Cooled)
		W (Conduction Cooled)

MECHANICAL CHARACTERISTICS

Connectors	SMB	Female	MIL C 39012
Weight	3,800 g		

ENVIRONMENTAL CHARACTERISTICS

Operating temperature range	-55/+125	$^{\circ}\text{C}$
Storage temperature range	-55/+125	$^{\circ}\text{C}$



SPECIFICATION

OTHER CHARACTERISTICS