

### Features

- Frequency range : 8MHz to 54MHz
- Glass sealing, ceramic SMD package
- External dimensions (mm)  
L : 5.0 x W : 3.2 x H : 1.2
- RoHS compliant  
Contains Pb, exempted by RoHS directive

### Applications

- PC, TV, Game, Camera
- Notebook, Hard disk
- Computer peripherals
- Home electronics
- Consumer products

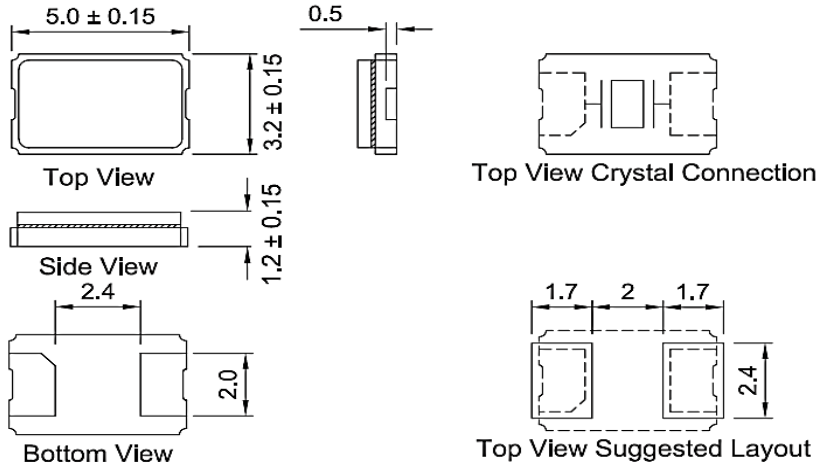
### Electrical Characteristics

Item		QT532G	Conditions
Frequency Range	$F_0$	8MHz ~ 54MHz	
Frequency Tolerance	$F_{tol}$	$\pm 50\text{ppm}$ , $\pm 30\text{ppm}$ , $\pm 20\text{ppm}$	at 25°C
Frequency Stability over Operating Temperature Range (refer to 25°C)	$F_{stab}$	$\pm 50\text{ ppm}$	-20°C ~ +70°C
		$\pm 30\text{ ppm}$	
		$\pm 20\text{ ppm}$	
		$\pm 50\text{ ppm}$	-40°C ~ +85°C
$\pm 30\text{ ppm}$			
Operating Temperature Range	$T_{OTR}$	-20°C ~ +70°C	
		-40°C ~ +85°C	
Shunt Capacitance	$C_0$	5pF Max.	
Drive Level	$D_L$	1 ~ 200 $\mu$ W (100 $\mu$ W Typ.)	
Load Capacitance	$C_L$	8pF, 12pF, 18pF, 20pF	
Aging	$F_{aging}$	$\pm 3\text{ ppm Max.}$	at 25°C $\pm$ 3°C, first year
Storage Temperature Range	$T_{STR}$	-55°C ~ +125°C	

### Motional Resistance (ESR)

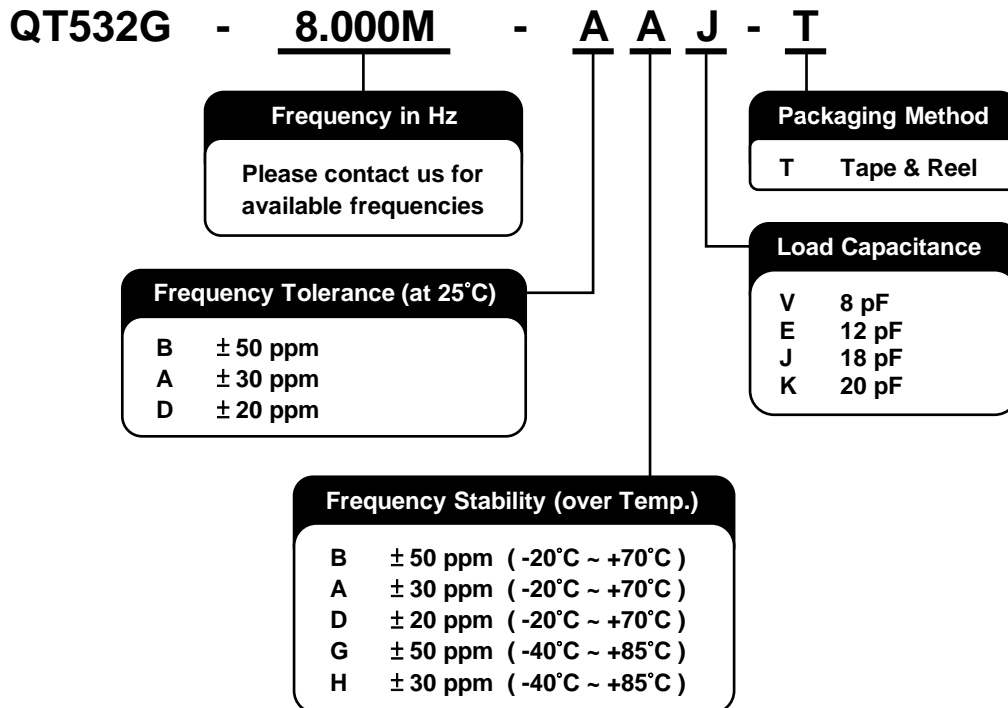
Fundamental	
8 ~ 12 MHz	80 $\Omega$ Max.
12 ~ 54 MHz	50 $\Omega$ Max.

## Dimensions

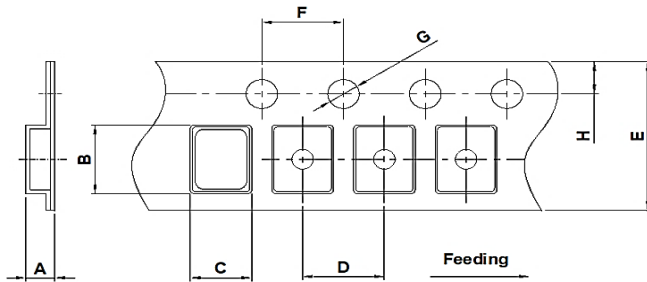


Units: mm

## Ordering Information

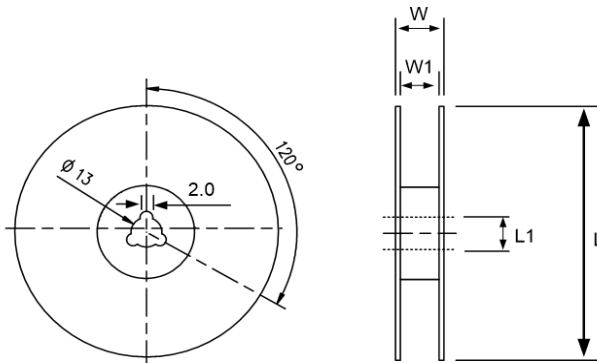


## Packing



DIMENSIONS	A	B	C	D	E	F	G	H
	1.65±0.10	5.40±0.10	3.50±0.10	8.00±0.10	12.00±0.30	4.00±0.10	1.55±0.10	1.75±0.10

(Unit: mm)



DIMENSIONS	L	L1	W	W1
	180±1.00	13±0.50	16.5±0.20	12±0.10

(Unit: mm)

## Reflow Profile

Solder melting point : 220°C ± 10°C, 60 sec. Min.

Peak temperature : 260°C ± 5°C, 10 sec. Min.

