

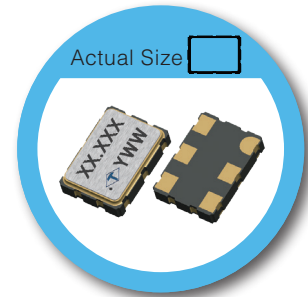
VT Type 7.0 x 5.0 mm SMD Voltage Controlled Crystal Oscillator

FEATURE

- Typical 7.0 x 5.0 x 1.75 mm 6 pads ceramic SMD package.
- Tight symmetry (45 to 55%) available.
- Tri-state enable/disable

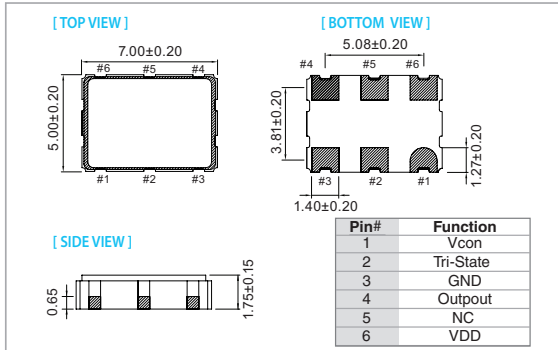
TYPICAL APPLICATION

- Set-top Box, HDTV
- WiMAX/WLAN
- xDSL/ VoIP, Cable modem

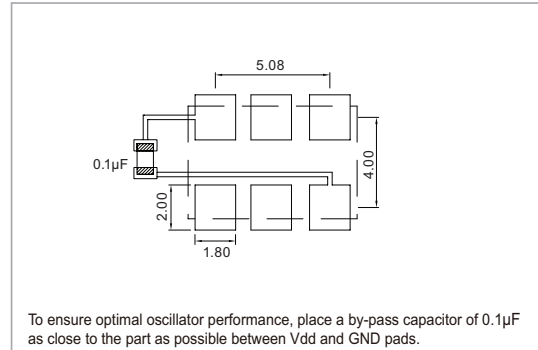


RoHS Compliant

DIMENSION (mm)



SOLDER PAD LAYOUT (mm)



ELECTRICAL SPECIFICATION

Parameter	3.3 V		Unit
	Min.	Max.	
Supply Voltage Variation (VDD)	VDD-5%	VDD+5%	V
Frequency Range	1.5	170	MHz
Standard Frequency	10,20,25,27,32,768,35,328,38,88,61,44,122,88, 153.6		
Absolute Pulling Range (APR)	±50	-	ppm
Control Voltage Range	0.3	3.0	V
Supply Current	1.5 MHz ≤ Fo < 20 MHz	10	mA
	20 MHz ≤ Fo < 50 MHz	20	
	50 MHz ≤ Fo ≤ 80 MHz	30	
	80 MHz < Fo < 160 MHz	40	
	160 MHz ≤ Fo ≤ 170 MHz	50	
Output Level (CMOS)			V
	Output High (Logic "1")	-	
	Output Low (Logic "0")	0.33	
Transition Time: Rise/Fall Time+			nSec
	1.5 MHz ≤ Fo < 20 MHz	5	
	20 MHz ≤ Fo < 50 MHz	4	
	50 MHz ≤ Fo ≤ 80 MHz	3	
	80 MHz < Fo ≤ 170 MHz	2	
Start Time			mSec
Tri-State(Input to Pin 2)			V
	Enable (High voltage or floating)	-	
	Disable (Low voltage or GND)	0.99	
Period Jitter (Pk-Pk)			pSec
RMS Phase Jitter (Integrated 12kHz-20MHz)			pSec
Linearity			%
Modulation Bandwidth (BW)			
	1.5 MHz ≤ Fo ≤ 170 MHz	15	kHz
Input Impedance			kΩ
	1.5 MHz ≤ Fo ≤ 170 MHz	10000	
Phase Noise@30.72MHz	100 Hz	-115	dBc/Hz
	1 kHz	-135	
	10 kHz	-150	
Aging (@ 25°C 1st year)			ppm
	-	±3	
Storage Temp. Range			°C
	-55	125	

Standard frequencies are frequencies which the crystal has been designed and does not imply a stock position.

+ Transition times are measured between 10% and 90% of VDD, with an output load of 15pF.

FREQ. STABILITY vs. TEMP. RANGE

Temp. (°C)	ppm	±25	±50
-10 ~ +60		○	○
-20 ~ +70		○	○
-40 ~ +85		△	○

* ○: Available △:Conditional X: Not available

* Inclusive of calibration @ 25 °C, operating temperature range, input voltage variation, load variation, aging (1st year), shock, and vibration

Note: not all combination of options are available. Other specifications may be available upon request.