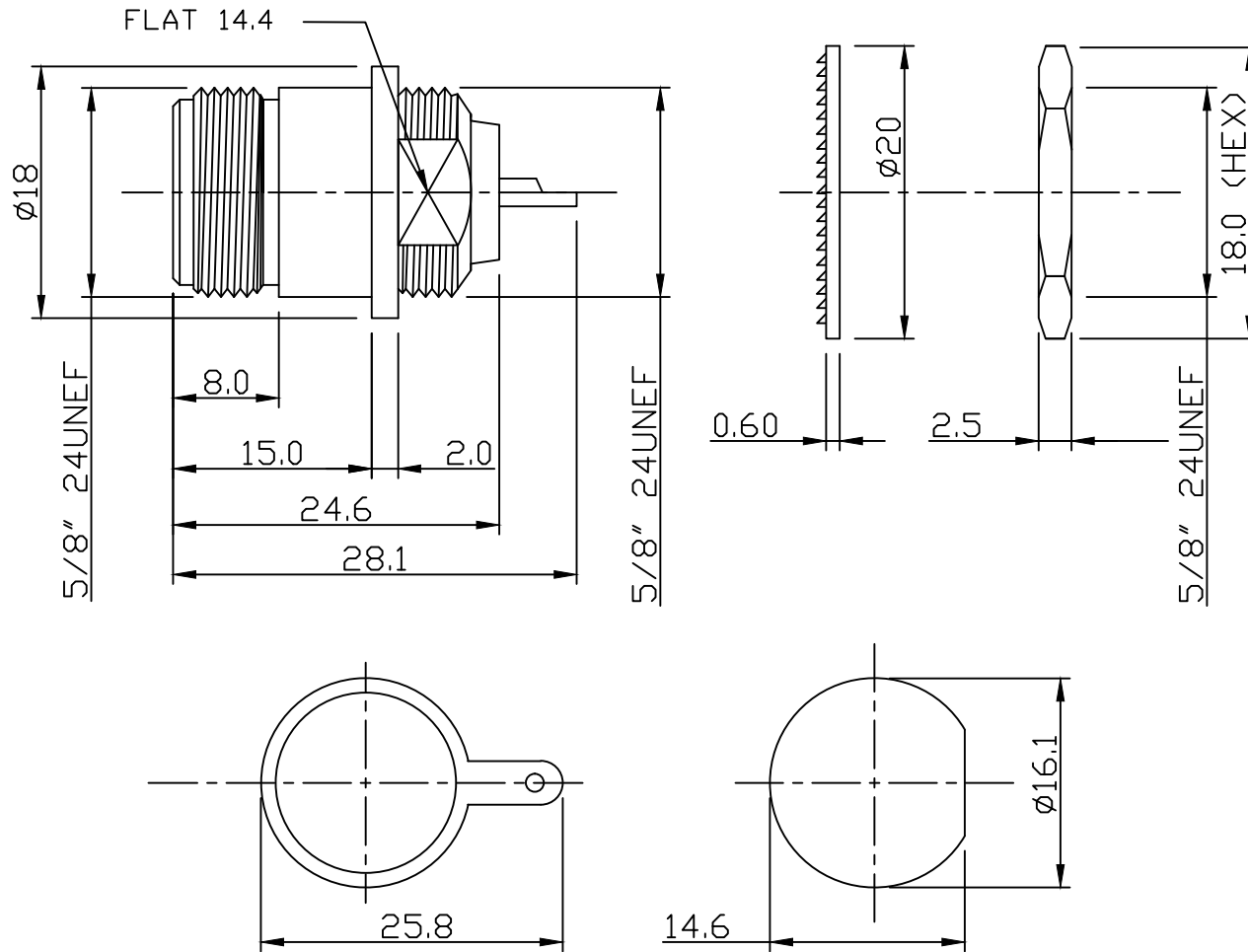


RoHS COMPLIANT



Electrical Characteristics

Nominal Impedance: 50 ohms
 Frequency Range: DC to 11 GHz
 Operating Voltage (rms): 1500V maximum at sea level
 Dielectric Withstand Voltage (rms): 2500V maximum at sea level
 Contact Resistance: 1.0 milliohms maximum
 Insulation Resistance: 5000 megaohms maximum

Mechanical Characteristics

Mating Cycles: 500 cycles minimum
 Interface Dimensions: Conform to MIL-C-39012

Environmental Characteristics

Temperature Range: -55 °C to +85 °C

PART	DESCRIPTION
1	Body Brass, nickel plated
2	Dielectric PTFE
3	Contact Brass, Gold Plated
4	Nut Brass, nickel plated
5	Washer Steel, nickel plated
6	Earth Tab Steel, nickel plated

DESCRIPTION OF REVISION	APPVD	ISS	DATE
ECN D17506 - Dimension updates	MS	2	19 Jul 22
First Issue	AT	1	23 May 06



CINCH CONNECTIVITY SOLUTIONS
 11 Bilton Road,
 Chelmsford, Essex,
 CM1 2UP, UK.
 Tel: +44 (0) 1245 359515
 Fax: +44 (0) 1245 358938

SCALE: Not To Scale	DRAWN BY: A Tusi
DIMENSIONS: mm	CHECKED BY: M Terry
TOLERANCES: ± 0.2mm unless otherwise stated	APPROVED BY: J Williams
	DATE: 23 May 06

TITLE:
Panel Mount Jack - 50 Ohms

PART NUMBER:

VN513

PAGE: 1 of 1