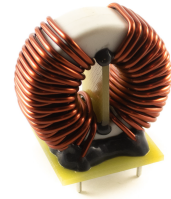




COMMON MODE CHOKE

VCMB4332-602-10A

- Solid base for stable mounting
- Fixed pins for easy PCB insertion
- Temperature Rise: 60K Max
- Operating Temperature Range: -40°C to +100°C

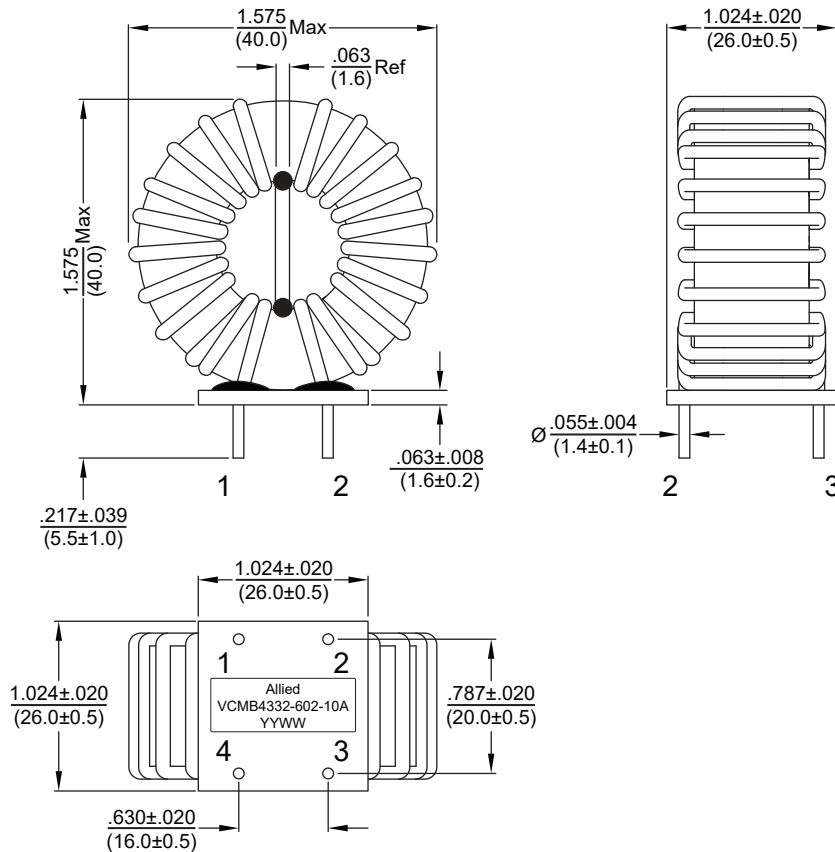


Electrical Specifications @25°C				
Inductance @ 100KHz, 0.1V	Leakage Inductance @ 100KHz, 0.1V	HiPot 50Hz / 3mA / 2Sec	DCR (mΩ) ±15%	Rated Current (A)
+50%/-30%	Shorted Others	Wdg - Wdg		
6.0mH	25.0μH Typ	2500VAC	12	10

All specifications subject to change without notice.

MECHANICAL

Dimensions:  $\frac{\text{inch}}{\text{mm}}$



SCHEMATICS

