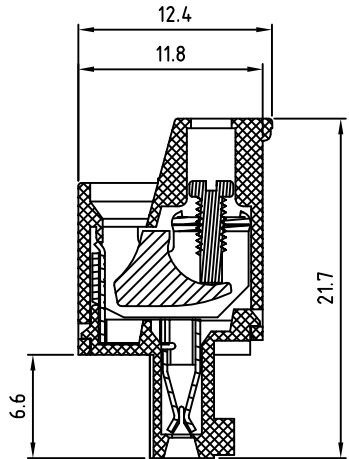
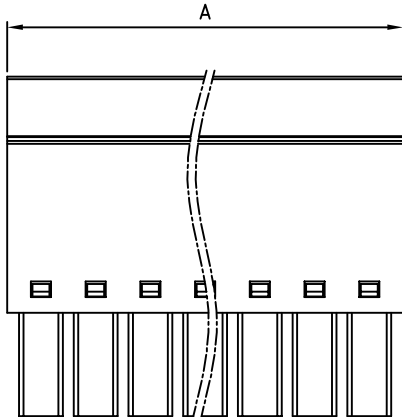
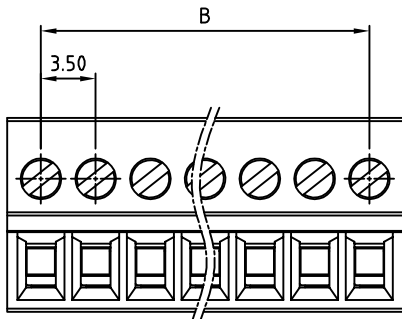


SIGN	DATE	DESCRIPTION	APPROVER
THIS IS CAD DRAWING, DO NOT REVISE MANUALLY!!!			



- Material:
- Insulator(housing): Thermoplastic (UL94V-0)
 - Metal housing: Steel
 - Terminal screw: Steel Zinc plating
 - Wire guard: PhBz(CuSn),Tin plated.

- Electrical: cULus
- Voltage rating: 300V
 - Current rating: 8A
 - Wire range:
 - Solid wire(AWG): 16-28
 - Stranded wire(AWG): 16-28
 - Torque: 1.7 Lb-In.
 - Screw: M2
 - Wire strip length: 6-7mm
 - Withstanding Voltage: 1.6KV
 - Operating temperature: -40°C to +115°C
- RoHS Compliant

PART NUMBER:

OSTVMXX1550

- | | |
|--------------|---------------------|
| No. of Poles | COLOR: |
| 07: 7 Poles | 0: Black |
| 08: 8 Poles | 5: Green (Standard) |
| | 6: Blue |
| 24: 24 Poles | 8: Grey |

THESE DRAWINGS AND SPECIFICATIONS ARE THE PROPERTY OF ON-SHORE TECHNOLOGY, INC. AND SHALL NOT BE REPRODUCED, COPIED OR USED IN ANY MANNER WITHOUT THE PRIOR WRITTEN CONSENT OF ON-SHORE TECHNOLOGY, INC.

POLE		2	3	4	5	6	7	8	9	10	11	12	
A		/	/	/	/	/	25.30	28.80	32.30	35.80	39.30	42.80	
B		/	/	/	/	/	21.00	24.50	28.00	31.50	35.00	38.50	
Tol.								±0.20					
POLE	13	14	15	16	17	18	19	20	21	22	23	24	
A	46.30	49.80	53.30	56.80	60.30	63.80	67.30	70.80	74.30	77.80	81.30	84.80	
B	42.00	45.50	49.00	52.50	56.00	59.50	63.00	66.50	70.00	73.50	77.00	80.50	
Tol.	±0.30						±0.40						

OST ON-SHORE TECHNOLOGY, INC.

TITLE		OSTVM 3.5mm W/O Flange Series (7P-24P)	
PART NO.	OSTVMXX1550	DWG NO.	OSTVMXX1550.DWG
APPROVED	CHECKED	DESIGNED	DRAWN
		Tony 2008.11.22	Tony 2008.11.22
		SHEET: 01/01	
		UNIT: mm SCALE: NONE REV: B	
		Tolerance X. ±0.50 X.X ±0.30 X.XX ±0.10 X° ±1°	