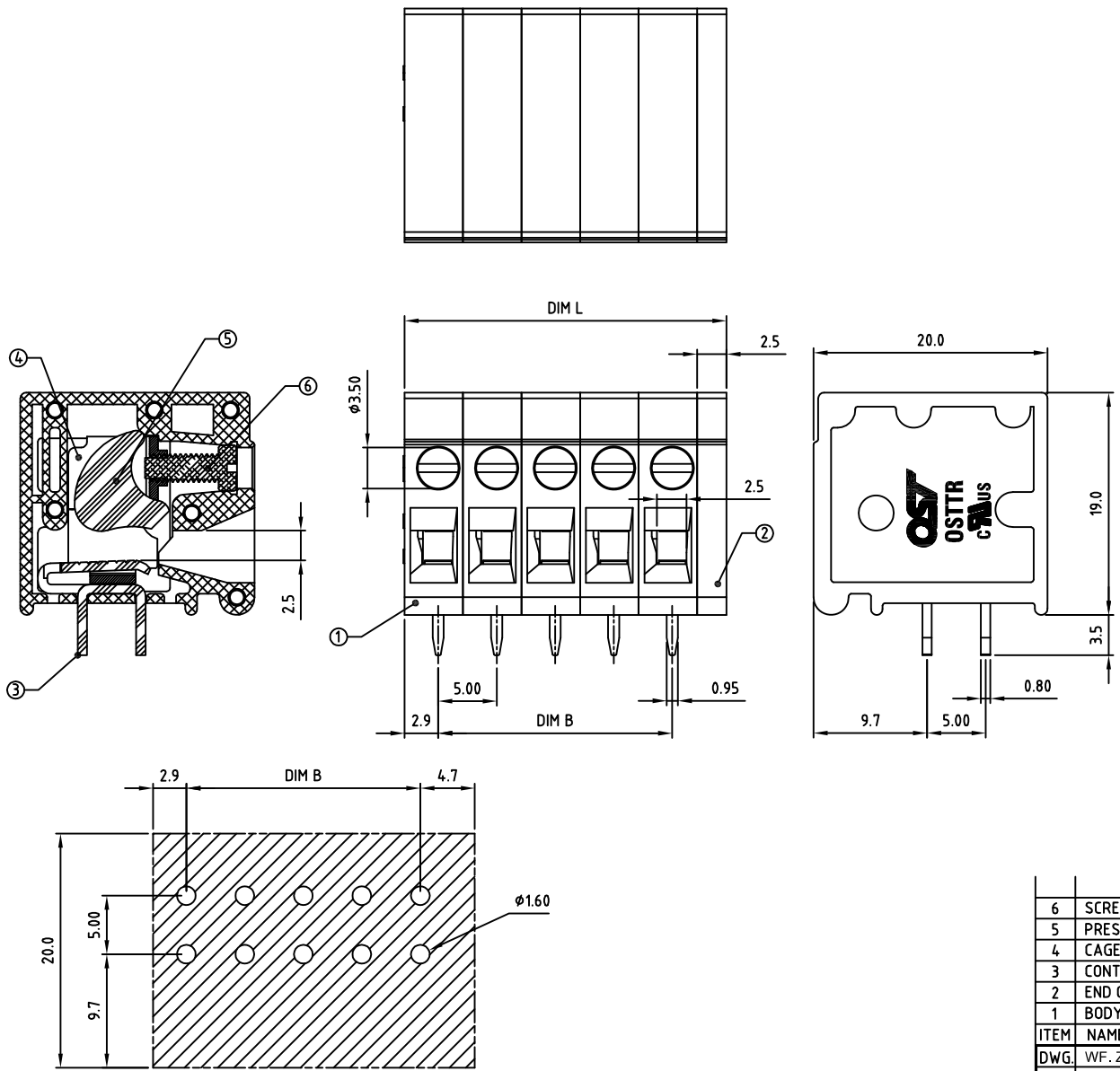


Transfer or duplication of this document as well as the utilisation or communication of its content are not permitted unless express consent is granted. Violations give rise to claims for damages. All rights reserved in case of patent, utility model or design patent registrations.



Technical data

1. Nominal voltage: 300V/20A
PITCH: 5.0mm
2. Connection capacity:
AWG 22-12
3. Insulation Withstanding Voltage:
AC 1600V/MIN
4. Insulation Resistance:
1000MΩ or more at DC500V
5. Tightening torque:
5.0kgf.cm (0.5N.m)
6. Screw thread: M2.5
7. Stripping length: 10-11mm
8. Operating temperature range: -40°C ~ 115°C
Soldering temperature: 250°C ± 10°C / 5s
9. Undimensioned Tolerances:

Dim.L = P x 5.0 + 2.5		
Dim.B = (P - 1) x 5.0		
P = number of poles (1-24p)		
	Dim B	Dim L
0-30mm	±0.15	±0.20
over 30mm-60mm	±0.20	±0.25
over 60mm-90mm	±0.25	±0.30
over 90mm	±0.30	±0.40

10. Safety approval:
11. RoHS Compliance

Part No.: **OSTTRXX0551**

No. of Poles	COLOR
02 2 Poles	0: Black
03 3 Poles	2: Red
...	3: Orange
24 24 Poles	4: Yellow
	5: Green (Standard)
	6: Blue
	8: Grey

Nonstandard colors
Mins could apply

ITEM	NAME OF PART	MATERIAL	NOTES	Q"TY
6	SCREW	STEEL	M2.5x0.45, Zn Plated	P
5	PRESS BLOCK	STEEL	M2.5x0.45, Zn Plated	P
4	CAGE	STEEL	M2.5x0.45, Zn Plated	P
3	CONTACT PIN	BRASS	Sn Plated	P
2	END COVER	PA66 UL94V-0	ALL COLOR	1
1	BODY	PA66 UL94V-0	ALL COLOR	P

DWG	WF. Zhang	DATE	2016.07.21	UNITS:	MM	SHEET:	1 OF 1	Tolerance	
CHK.	WF. Zhang	DATE	2016.07.21	SCALE:	NONE 2.5:1 (:)	REV:	A	X.	±0.50
APP.		DATE		TITLE:	OSTTR 5.0 Series "-" slot Pin spacing 5.0mm type 180D				
				PART NO.	OSTTRXX0551				
				DWG NO.	OSTTRXX0551.dwg				

SIGN	DESCRIPTION	CHK.	DATE	



ON-SHORE TECHNOLOGY, INC.