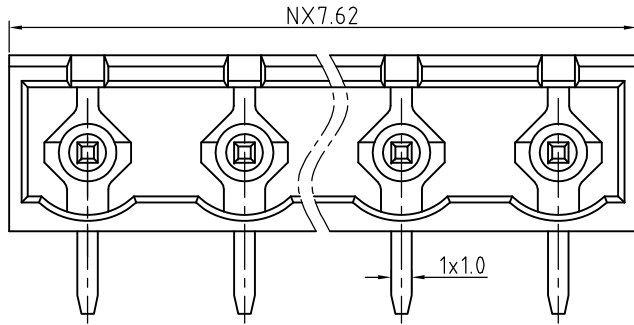
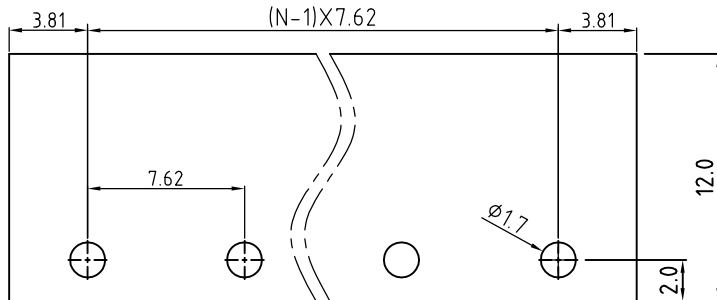
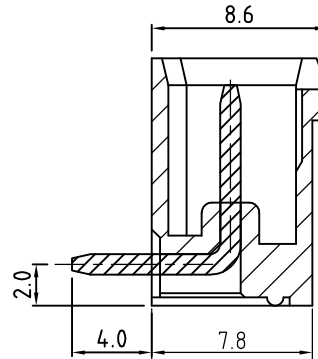
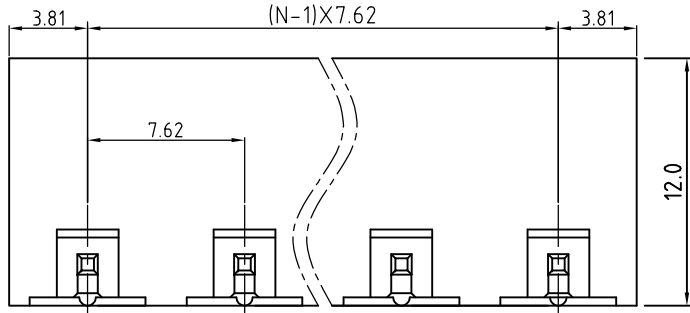


Transfer or duplication of this document as well as the utilisation or communication of its content are not permitted unless express consent is granted. Violations give rise to claims for damages. All rights reserved in case of patent, utility model or design patent registrations.



N=Number of contacts



PCB. LAYOUT

Technical Data:

Electrical

Pitch: 7.62mm
 Voltage rating: 300V
 Current rating: 16 Amps
 Withstanding Voltage: 2500VAC(1min)

Mechanical:

Operating temperature: -40°C to +105°C
 Soldering temperature:
 Temperature= 250°C±10°C /5 seconds max

Safety approval:

RoHS Compliance

Part No.:

OSTOQXX0151

No. of Poles
 02 2 Poles
 03 3 Poles

 24 24 Poles

COLOR
 0: Black
 2: Red
 3: Orange
 4: Yellow
 5: Green (Standard)
 6: Blue
 8: Grey

Nonstandard colors
 Mins could apply

2	Pin	Copper Alloy	Tin plated	1xN
1	Body	PA66-30%GF UL94V		1
ITEM	NAME OF PART	MATERIAL	NOTES	Q'TY
DWG.	DATE	UNITS: MM	SHEET: 1 OF 1	Tolerance
CHK.	DATE	SCALE: NONE 4:1 (:)	REV.: A	X. ±0.50
APP.	DATE	TITLE: OSTOQ SERIES 7.62MM CLOSED RIGHT ANGLE		X.XX ±0.30
		PART NO. OSTOQXX0151		X° ±1°
		DWG NO. OSTOQXX0151.DWG		

REV	△				
	SIGN	DESCRIPTION	CHK.	DATE	



ON-SHORE TECHNOLOGY, INC.