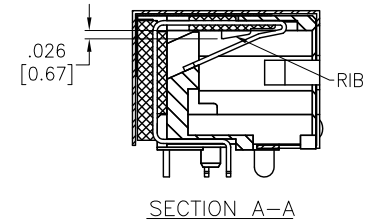
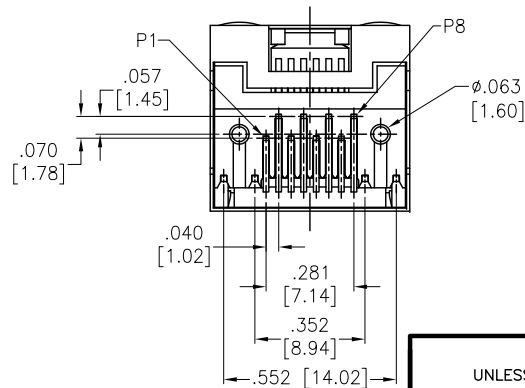
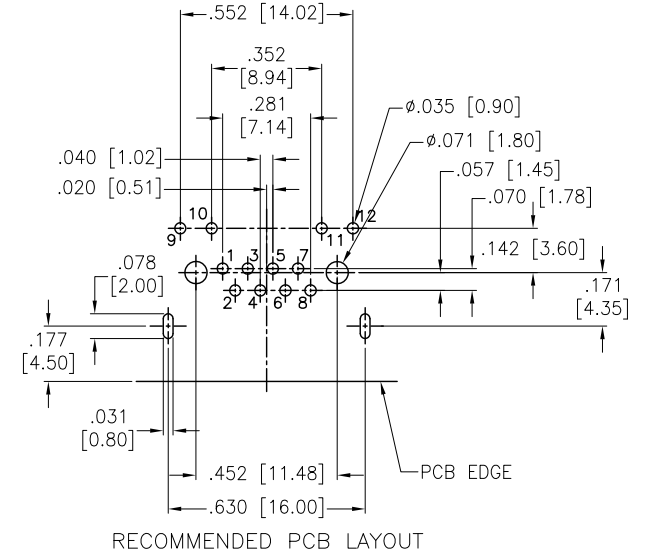
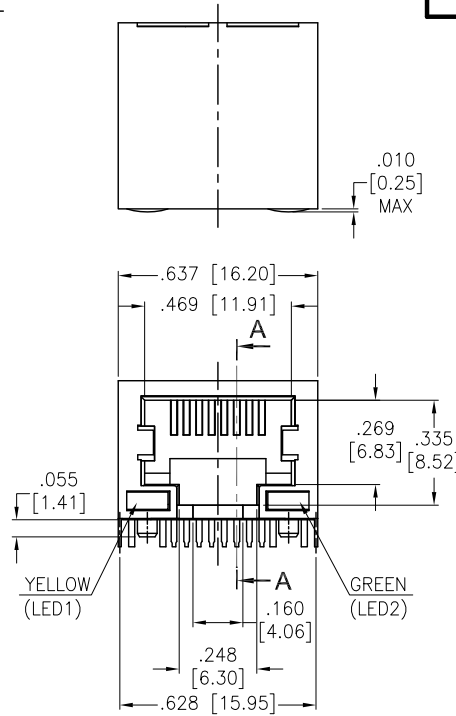
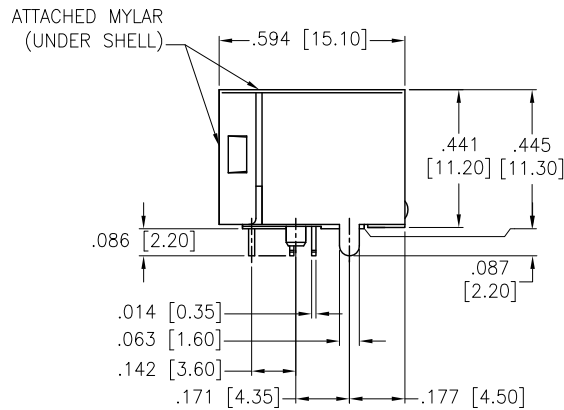


APPROVED: _____
 DATE: _____ TITLE: _____

| Rev | AWO # | Description | Date | Appr |
|-----|-------|----------------|----------|------|
| - | | RELEASED | 10/12/10 | |
| A | | UPDATE DRAWING | 4/15/16 | AY |

| LED CHARACTERISTIC | |
|--------------------|-------------------------------------|
| NO. | NODE |
| LED1 | 9+ \rightarrow \rightarrow -10 |
| LED2 | 11+ \rightarrow \rightarrow -12 |



SPECIFICATIONS:

Material:
 Insulator: Nylon 46, Glass fiber, rated UL 94V-0
 Insulator color: Black
 Contacts: Phosphor Bronze
 Shield: Brass, Nickel plated
 LED Solder Tail: Steel, Tin plated
 Contacts Plating:
 Gold over Nickel underplate on contact area
 Gold flash over Nickel underplate on solder tails
 Electrical:
 Voltage rating: 150 VAC max
 Current rating: 1.5 Amp max
 Contact resistance: 20 mohms max
 Insulation resistance: 500 Mohms min @ 500 VDC
 Dielectric withstanding voltage: 1500 VAC for 1 minute
 Temperature Rating:
 Operating temperature: -40°C to +85°C
 Environmental:
 Lead free, RoHS compliant.



UNLESS OTHERWISE SPECIFIED
 ALL DIMENSIONS ARE INCHES [MM]
 TOLERANCES: EXCEPT AS NOTED
 INCHES HOLES

| | |
|-------------|--------------|
| .X ± .10 | ∅.X ± .10 |
| .XX ± .020 | ∅.XX ± .015 |
| .XXX ± .015 | ∅.XXX ± .010 |

ADAM TECH
 INTERCONNECTS

909 Rahway Avenue,
 Union, NJ 07083
 Phone: 908-687-5000
 Fax: 908-687-5710

| APPROVALS | | DATE |
|-----------|----|----------|
| DRAWN | AY | 10/12/10 |
| CHECKED | AW | 10/12/10 |
| APPROVED | | |

| | | |
|--|-------------------------------|--------------|
| TITLE MODULAR TELEPHONE JACK, 8P8C W/ LED1 YELLOW LED2 GREEN | | |
| SIZE X | PART NO. MTJ-88AAX1-FSV-LG | REV. A |
| REF: S00065T | SCALE: NTS | SHEET 1 OF 1 |