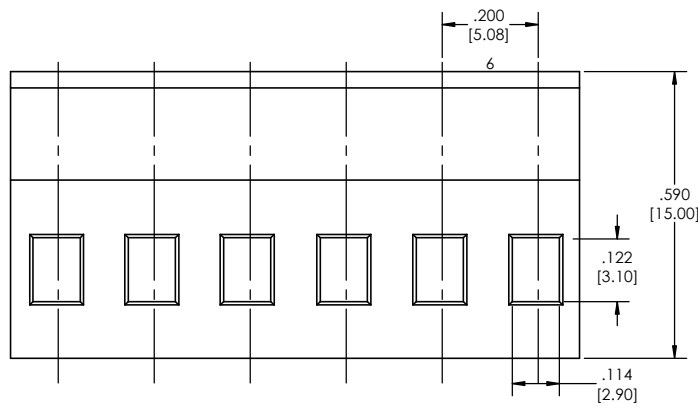
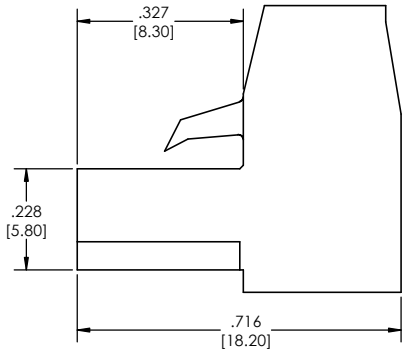


TBPS - 00 - **200** - **XX** - **XX** - **LF**  
 (A) (B) (C) (D)

- D. Lead Free Specifications:**  
 Current Rating: 10 Ampere  
 Voltage Rating: AC 250V  
 Wire Range: 12-26 AWG  
 Insulation Resistance: DC 500V 1000M ohms  
 Dielectric Withstanding Voltage: AC 2500V/1 minute  
 Operation Temperature: -33°C to +105°C  
 Max Torque: 4.3 lb-in (4.95kgf.cm)  
 Strip Length: .157-.236 (4-6mm)
- Materials:**
1. Body: PA66 (Nylon), UL94 V-0
  2. Lid: PA66 (Nylon), UL94V-0
  3. Screw: M3.0, C1018 Steel, Zinc Plated
  4. Terminal: Brass, Nickel Plated
  5. Contact: Phosphor Bronze, Tin Plated

Tails may be clipped to achieve specific dimensions.  
 Products cut to specific sizes are uncancelable/ nonreturnable.  
 Parts are subject to change without notice.



**PROPRIETARY AND CONFIDENTIAL**  
 THE INFORMATION CONTAINED IN THIS DRAWING IS THE SOLE PROPERTY OF Major League Electronics. ANY REPRODUCTION IN PART OR AS A WHOLE WITHOUT THE WRITTEN PERMISSION OF Major League Electronics IS PROHIBITED.

UNLESS OTHERWISE SPECIFIED:		NAME	DATE	
DRAWN	EOW	04/18/14		
CHECKED	GWE	04/18/14		
ENG APPR.				
INTERPRET GEOMETRIC TOLERANCING PER:		ADDRESS:		<b>TITLE: TBPS-00-200 Series</b> SIZE DWG. NO. <b>C</b> REV <b>A</b>
MATERIAL:		2533 Centennial Blvd. Jeffersonville, In 47130 Phone: 812-670-4174 Fax: 812-670-4175 E-Mail: mle@mlelectronics.com		
NEXT ASSY	USED ON	FINISH	SCALE 5:1	
APPLICATION		DO NOT SCALE DRAWING	SHEET 1 OF 1	