

TA **M** **X**

TINI QG CORD PLUG

NUMBER OF CONTACTS
 3 - 3 CONTACTS
 4 - 4 CONTACTS
 5 - 5 CONTACTS
 6 - 6 CONTACTS
 7 - 7 CONTACTS
 8 - 8 CONTACTS

MALE

RoHS COMPLIANT

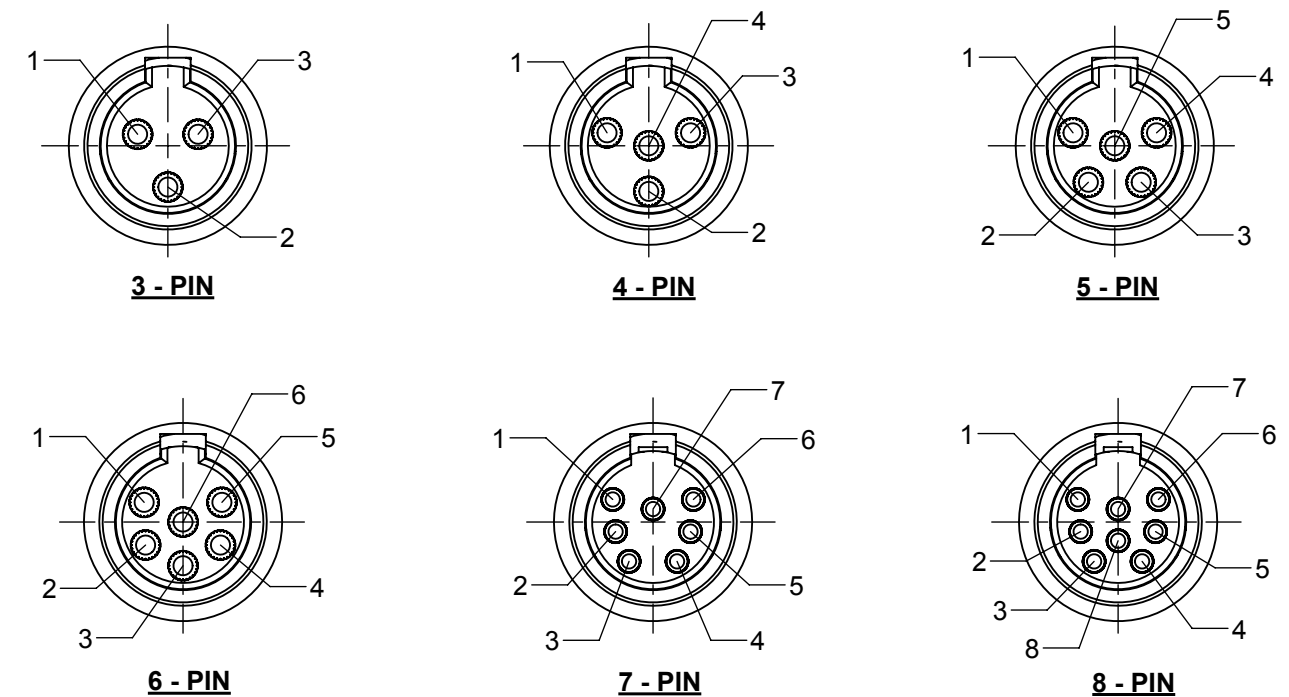
HANDLE FINISH
BLANK - BLACK PLASTIC (STANDARD)
E - NICKEL PLATED PLASTIC
W - WHITE PLASTIC

CONTACT PLATING
BLANK - SILVER (STANDARD)
AU - GOLD

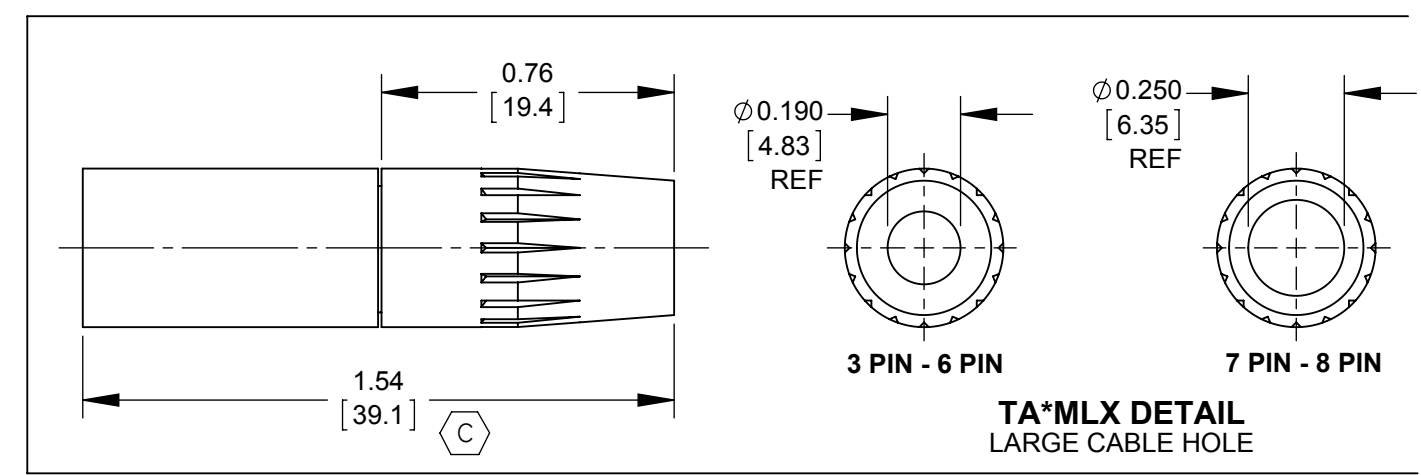
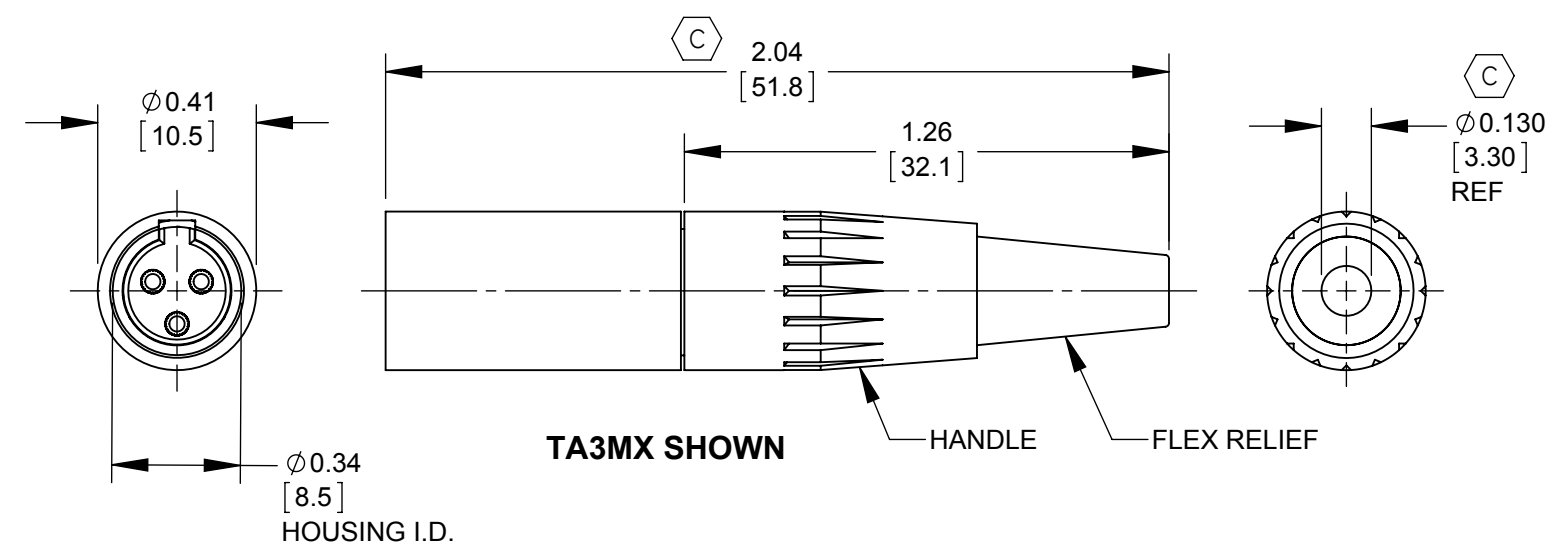
HOUSING FINISH
BLANK - NICKEL (STANDARD)
B - BLACK CHROME

FLEX RELIEF SIZE (CABLE RANGE)
BLANK - STANDARD SIZE ($\phi 0.065 - \phi 0.130$) [F]
 $[\phi 1.65 - \phi 3.30]$

L - LARGE CABLE HOLE (NO FLEX RELIEF)
 SEE "TA*MLX DETAIL"
 3 PIN - 6 PIN HANDLE ($\phi 0.130 - \phi 0.190$) [F]
 $[\phi 3.30 - \phi 4.83]$
 7 PIN - 8 PIN HANDLE ($\phi 0.130 - \phi 0.250$) [F]
 $[\phi 3.30 - \phi 6.35]$



AS VIEWED FROM FRONT MATING VIEW



CUSTOMER DRAWING

NOTES:

1. MATERIALS:
 HOUSING - COPPER ALLOY, NICKEL PLATED OR BLACK CHROME PLATED
 CONTACTS - COPPER ALLOY, SILVER PLATED OR GOLD PLATED
 INSERT - THERMOPLASTIC, DARK BROWN
 INSULATOR - THERMOPLASTIC, DARK BROWN
 CABLE CLAMP - STEEL, ELECTRO-TIN PLATED
 HANDLE - THERMOPLASTIC, BLACK, WHITE, OR NICKEL PLATED
 FLEX RELIEF - THERMOPLASTIC, BLACK OR WHITE

2. THIS PRODUCT IS RoHS COMPLIANT.

REV	ECO NUMBER	DATE	BY	APVD
F	27788	10-13-16	PC	TJK
E	27486	04-20-15	PC	TJK
D	26500	02-03-10	JEB	TJK
C	25955	09-22-08	JEB	TJK
B	25885	06-10-08	JEB	TJK
A	25229	12-21-05	AH	TJK

UNLESS OTHERWISE SPECIFIED

1. ALL DIMENSIONS IN INCHES [mm]
 - TWO PLACE DECIMALS ± 0.02 [0.5]
 - THREE PLACE DECIMALS ± 0.005 [0.13]

DO NOT SCALE DRAWING

THIS DRAWING DESCRIBES A DESIGN CONSIDERED PROPRIETARY IN NATURE, DEVELOPED AND MANUFACTURED BY SWITCHCRAFT INC. AND IS RELEASED ON A CONFIDENTIAL BASIS FOR IDENTIFICATION PURPOSES ONLY.									
SIZE	WIDTH	MULT	LBS/M	TEMPER					
FINISH					MATERIAL				
SPEC No.					SPEC No.				
FIRST USED ON				SCALE 2:1					
DATE DRAWN	BY	CHKD	APVD						
06-12-12	JEB	JEB	TJK						
NAME				PART No.			REV		
TINI QG MALE STRAIGHT CORD PLUG, RoHS				TA_MX SERIES			F		