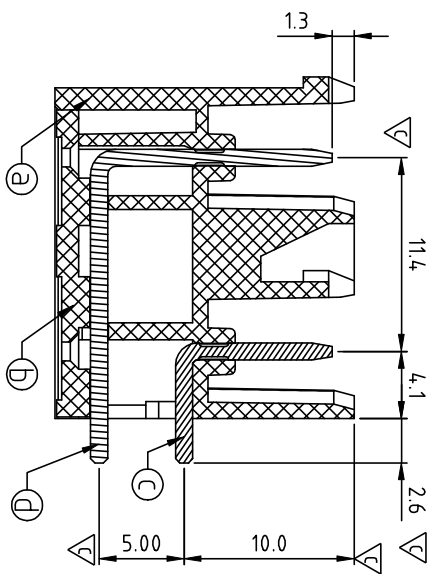
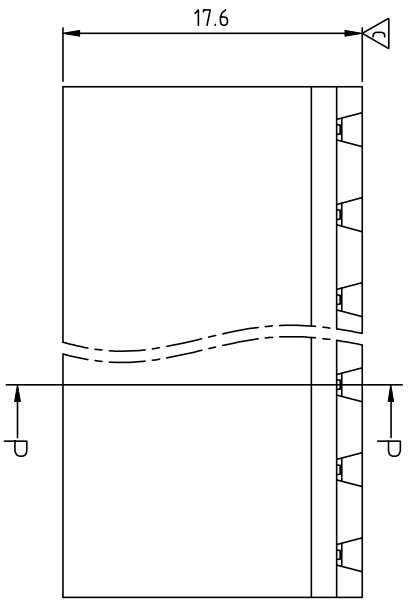
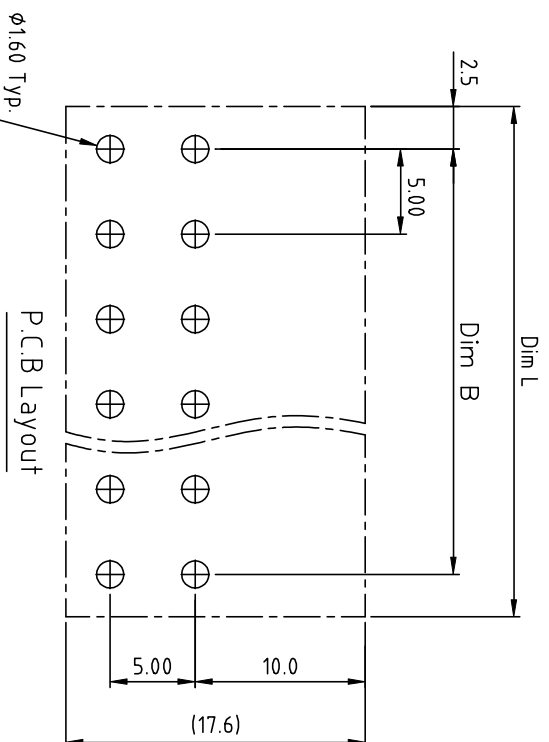
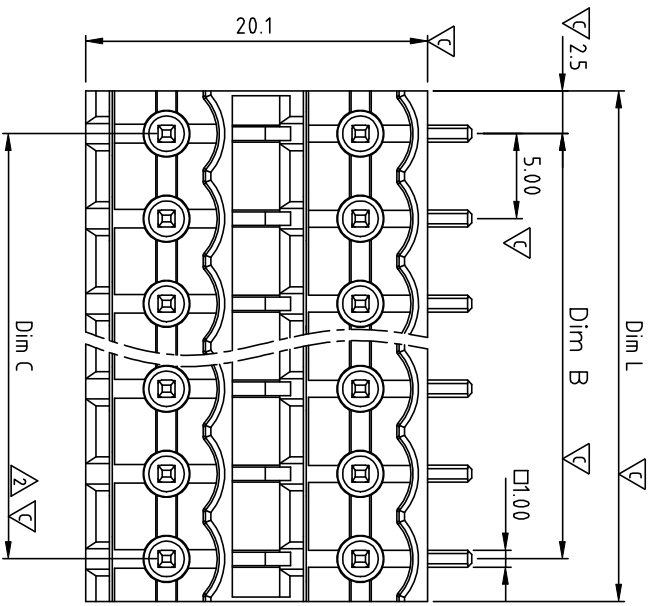


SIGN	DATE	DESCRIPTION	APPROVER
△	03/29/12	Add is cULus	Chen Bo
△	03/29/12	The dimension Dim C is added	Chen Bo

THIS IS CAD DRAWING. DO NOT REVISE MANUALLY!!!!



SECTION
P-P

Poles	Dim L	Dim B	Dim C
2x2P-2x6P	±0.15	±0.15	±0.15
2x7P-2x12P	±0.25	±0.25	±0.25
2x13P-2x18P	±0.35	±0.35	±0.35
2x19P-2x24P	±0.40	±0.40	±0.40

N = Number of poles
Dim L = N x 5.0
Dim B = (N - 1) x 5.0
Dim C = (N - 1) x 5.0

- Material:
- Item a Terminal(housing): Thermoplastic (UL94V-0)
 - Item b Terminal(cover): Thermoplastic (UL94V-0)
 - Item c Male contact pin of short: Copper Tin plated
 - Item d Male contact pin of long: Copper Tin plated
- Electrical:
- Voltage rating: cULus 300V
 - Current rating: 12A
 - Withstanding Voltage: 1.6KV
 - Operating temperature: -40°C to +115°C
 - Soldering temperature: 250°C±10°C/5 Sec
 - Safety Approval: **SAULUS**
 - Critical dimension: △

KE XX 7 4 X 3 XXXX G

No. OF POLES ————

04: 2x2 POLES
06: 2x3 POLES
:
:
:
48: 2x24 POLES

COLOR

0000: "0" Logo (Standard)
000A: "ANYTEK" Mark

Any special item by customer request, please contact sales department.

0 Black (RAL9005)
1 Red (RAL3001/D)
2 Orange(RAL2011/P)
3 Yellow(RAL1018/A)
4 Green(RAL6018/T)
5 Blue (RAL5015/A)
6 Grey(RAL7035/D)
7 White(RAL1102)
8 Green(RAL6018/U)

RoHS compliant (lead<4%) In copper Alloy

ANYTEK

CUSTOMER COPY

ALL RIGHTS RESERVED. REPRODUCTION OR ISSUE TO THIRD PARTIES IN ANY FORM WHATSOEVER IS NOT PERMITTED WITHOUT WRITTEN AUTHORITY FROM THE PROPRIETOR. PROPERTY OF ANYTEK TECHNOLOGY CO., LTD.

TITLE	DWG NO.		Tolerance	
KE 5.0mm Open Series 2x2P-2x24P (Right angle) (Dip type)	8KE0107	X	±0.50	
PART NO. KEXX74X3XXXXG		X X	±0.30	
APPROVED	CHECKED	DESIGNED	SCALE: NONE	
Chen Bo 04/14/12	Chen Bo 04/14/12		UNIT: mm	
			SCALE: NONE	
			REV.: C	
			SHEET: 01/01	