

GlobTek, Inc. www.globtek.com 186 Veterans Drive, Northvale, NJ 07647 Tel. (201) 784-1000 Fax (201) 784-0111	Drawing Title: High Current Power DIN Jack Jack, 3 Circuit	
	Model No. Connector	Part No./Ordering No. JACKPWRDIN3L
		Rev A2

In Addition to GlobTek Inc.'s renewed ISO9001:2008 - Quality Management System Certification, GlobTek Inc. is now certified to:

ISO13485:2003 - Medical Devices Quality Management System Certification
ISO14001:2004 - Environmental Management System Certification

ISO Certificates are available online at <http://www.globtek.com/iso-certificates/>

The acceptance of this specification and use of the product described in this document indicates the acceptance and binding of the customer to Globtek TERMS AND CONDITIONS (attached to the end of this document), which supersede all other agreements, terms, and conditions (<http://en.globtek.com/terms-and-conditions/>).

Prop 65 Statement:<https://en.globtek.com/prop-65-statement.pdf>

Footnote:

GlobTek Inc. will not be liable for the safety and performance of these power supplies if unauthorized access and repair occurs. End user should consult applicable UL, CSA or EN standards for proper installation instruction.

Limitation of Use:

GlobTek products are intended for use with commercial, medical, and/or industrial equipment only. GlobTek product are not authorized for use as mission critical components in life support hazardous environment, nuclear or aircraft applications without prior written approval from the CEO of GlobTek Inc.

Contents of this document are subject to change without prior notice.

Customer Approval of Specification:

Please approve, sign and send back to GlobTek so we can complete order processing.

A delay in receipt of this form will delay delivery schedule.

Company Name:	Customer P/N:
Quote Number:	Date:
Authorized Representative Name:	Authorized Representative Signature:

GlobTek, Inc. www.globtek.com 186 Veterans Drive, Northvale, NJ 07647 Tel. (201) 784-1000 Fax (201) 784-0111	Drawing Title: High Current Power DIN Jack Jack, 3 Circuit	
	Model No. Connector	Part No./Ordering No. JACKPWRDIN3L
		Rev A2

REVISION HISTORY

REV	DESCRIPTION	SUB	DATE	APPROVED
A2	Add 'Flammability rating is V-0' to Electrical specification	QA	02/17/2022	QA
A1	Recover drawing	QA	07/12/2021	QA
A	Initial release	DR	12/07/2020	DAVID

3D CAD FILE:

<http://www.globtek.com/dl/JACKPWRDIN3L.IGS>

AGENCY ONLINE DOCUMENTS

RoHS/RoHS3 Declaration https://www.globtek.com/pdf/rohs_cert/01t3a000005Csh4AAC

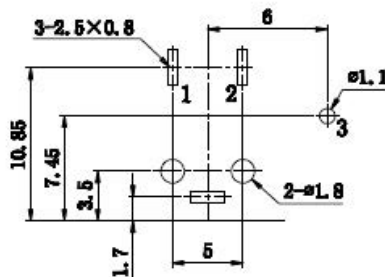
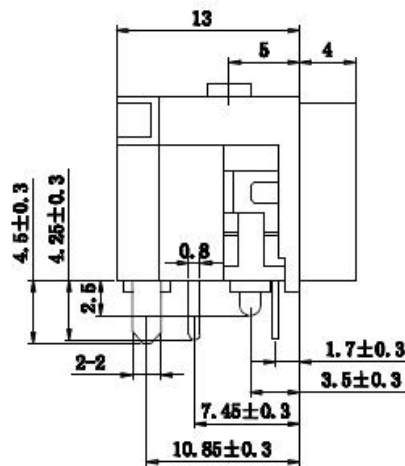
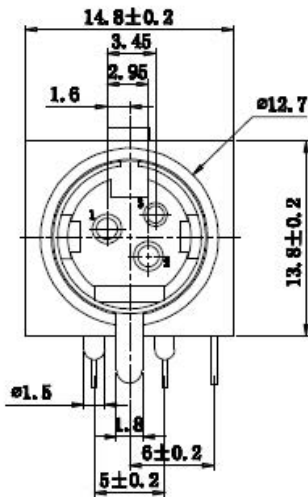
REACH Declaration https://www.globtek.com/pdf/iso_certificates/REACH.pdf

Conflict Minerals Declaration <https://www.globtek.com/pdf/conflict-minerals.pdf>

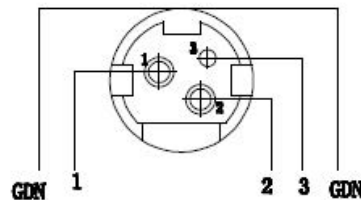
Prop 65 Statement <https://en.globtek.com/prop-65-statement.pdf>

IPXY rating is based on 3rd party testing and customers should check suitability and test system level IPXY rating before ordering.

Mechanical Specifications:



PCB LAYOUT



CIRCUIT DIAGRAM

PROPRIETARY INFORMATION

PROPRIETARY OF GLOBTEK, INC. ANY REPRODUCTION, DISCLOSURE OR USE OF THIS DRAWING, IN WHOLE OR IN PART, IS HEREBY PROHIBITED EXCEPT AS SPECIFIED IN

WRITING BY GLOBTEK, INC. © GlobTek, Inc. 2020 - 2023

quest /09/27/2023 9:52:13 AM CLONED FROM JACKPWRDIN3LS

GlobTek, Inc. www.globtek.com 186 Veterans Drive, Northvale, NJ 07647 Tel. (201) 784-1000 Fax (201) 784-0111	Drawing Title: High Current Power DIN Jack Jack, 3 Circuit	
	Model No. Connector	Part No./Ordering No. JACKPWRDIN3L
		Rev A2

5	Round shell	Brass:0.35mm	D. Cu/Sn	1
4	Thick Pin	Brass:0.28mm	D. Cu/Sn	2
3	Thin Pin	Brass:0.28mm	D. Cu/Sn	1
2	Rear cover	PBT	BLACK	1
1	Foundation bed	PBT	BLACK	1
NO.	DESCRIPTION	MATERIAL	REMARKS	QTY

Electrical Specifications:

1. Current Rating: Pin 1&2: 7.5A, Pin 3: 1A
2. Rated Voltage: 56V
3. Contact Impedance: 30mOhm MAX
4. Insulation Resistance: 100MOhm MIN,500V DC
5. Withstanding Voltage: 250V AC(50Hz) for one minute
6. Operating Temperature: -25-75°C
7. Mating & unmating Force: 5~35N
8. Durability: 5000 Cycles
9. Flammability rating is V-0

GlobTek, Inc. www.globtek.com 186 Veterans Drive, Northvale, NJ 07647 Tel. (201) 784-1000 Fax (201) 784-0111	Drawing Title: High Current Power DIN Jack Jack, 3 Circuit	
	Model No. Connector	Part No./Ordering No. JACKPWRDIN3L
		Rev A2

SZ SKU: 430-03641003(R) Mates with: KPPX-3P, KPPX-3P-SR7DI, PDP-30 Equal to: KPJX-3S, PD-30

GlobTek, Inc. www.globtek.com 186 Veterans Drive, Northvale, NJ 07647 Tel. (201) 784-1000 Fax (201) 784-0111	Drawing Title: High Current Power DIN Jack Jack, 3 Circuit	
	Model No. Connector	Part No./Ordering No. JACKPWRDIN3L
		Rev A2

PACKAGING

Packing Spec P/N:

Box Qty: TBD

Gift Box Size (mm):

Gift Box Color: White

Master Carton Size (mm): TBD

Master Carton Cubic Volume (m³): 0.00

Master GW (Kg): kg

wt Ea. (Kg): kg

wt Ea. (Kg): kg

LABEL SPECS: ,

PACK SPEC: