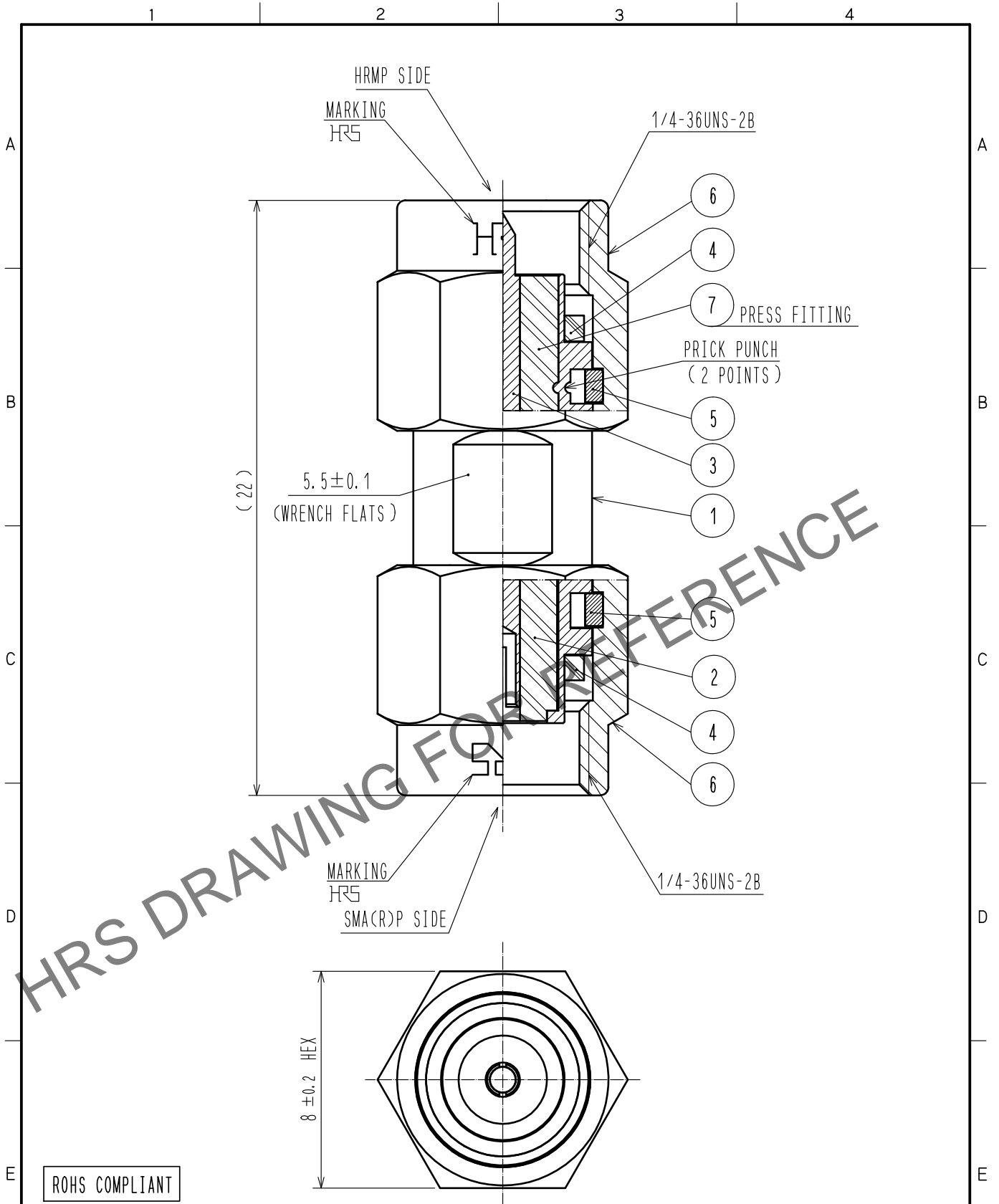


Aug.1.2023 Copyright 2023 HIROSE ELECTRIC CO., LTD. All Rights Reserved.  
 In case of consideration for using Automotive equipment / device which demand high reliability, kindly contact our sales window correspondents.



ROHS COMPLIANT

NO.	MATERIAL	FINISH .	REMARKS	NO.	MATERIAL	FINISH .	REMARKS
4	SILICON RUBBER			7	PTFE		
3	BERYLLIUM COPPER	GOLD PLATING		6	STAINLESS STEEL	PASSIVATED	
2	PTFE			5	BERYLLIUM COPPER	NICKEL PLATING	
1	STAINLESS STEEL	PASSIVATED					

UNITS mm	SCALE	COUNT	DESCRIPTION OF REVISIONS	DESIGNED	CHECKED	DATE
mm	5 : 1	△				

HIROSE ELECTRIC CO., LTD.	APPROVED	·KY. SHIMIZU	16.07.20	DRAWING NO.	EDC-366791-00-00
	CHECKED	·KY. SHIMIZU	16.07.20	PART NO.	HRMP-SMA<R>P
	DESIGNED	·MH. OGUSU	16.07.20	CODE NO.	CL323-0009-0-00
	DRAWN	·MH. OGUSU	16.07.20		