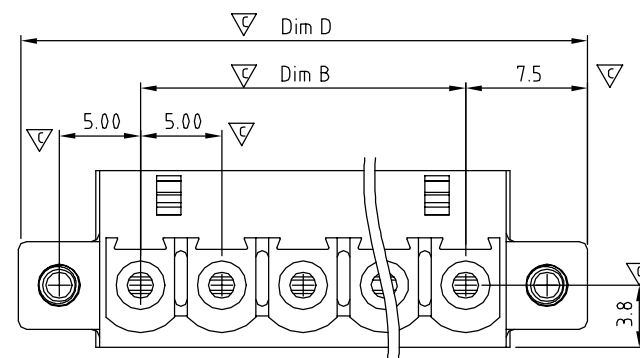
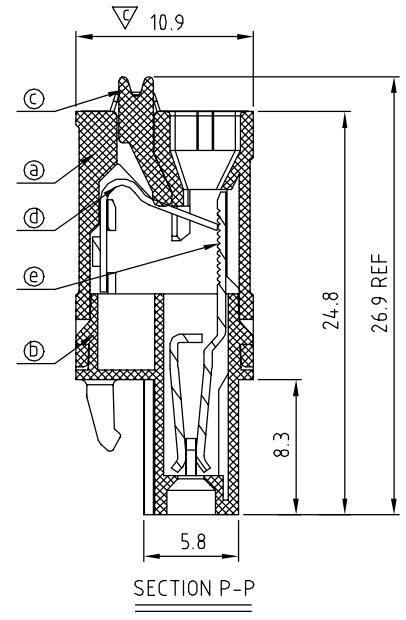
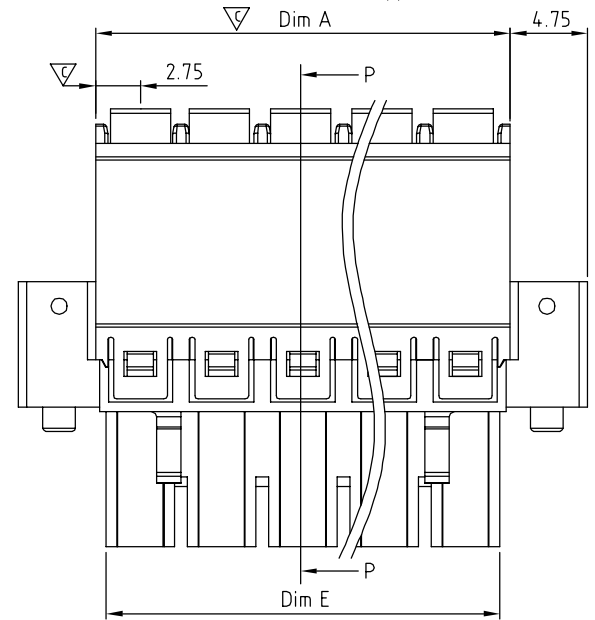
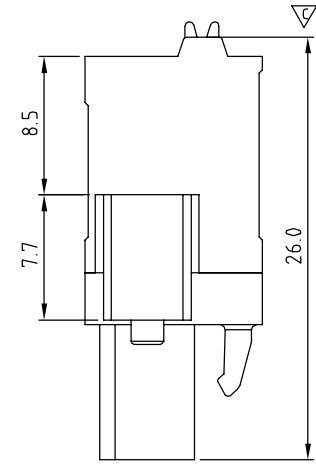
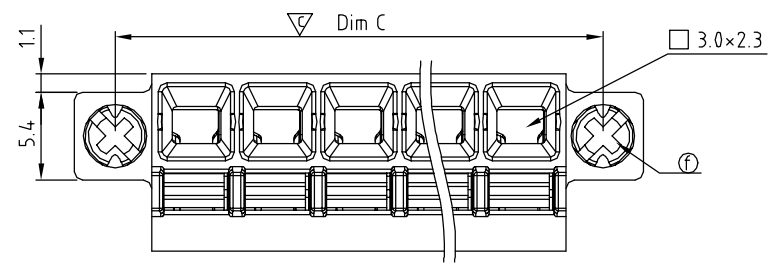
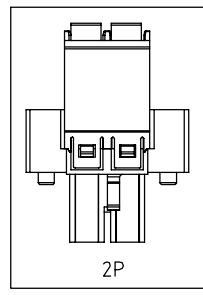


SIGN	DATE	DESCRIPTION	APPROVER
△	06/21'11	Add "cULus" Safety Approval logo <i>THIS IS CAD DRAWING, DO NOT REVISE MANUALLY!!!</i>	Aaron



- Material:
- Item a Terminal(Up housing): Thermoplastic (UL94V-0)
  - Item b Terminal(Down housing): Thermoplastic (UL94V-0)
  - Item c Terminal(Lever): Thermoplastic (UL94V-0)
  - Item d Spring clamp: Stainless steel
  - Item e Female contact: PhBz Tin Plated.
  - Item f With flange screw: Steel Zinc plating M2.5"+/-" slot type

- Electrical: cULus
- Voltage rating: 300 V
  - Current rating: 12 A
  - Wire range:
  - Solid wire(AWG): 14-24
  - Stranded wire(AWG): 14-24
  - Wire strip length: 11-12 mm
  - Withstanding Voltage: 1.6 KV
  - Operating temperature: -40°C to +115°C
  - △ Safety Approval:
  - Critical dimension:

**KD xx 7 0 x 1 xxxx G**

- No. OF POLES  
02: 2 POLES  
03: 3 POLES  
:  
24: 24 POLES
- COLOR  
0 Black (RAL9005)  
2 Red (RAL3001/D)  
3 Orange(RAL2011/P)  
4 Yellow(RAL1018/A)  
5 Green(RAL6018/T)  
6 Blue (RAL5015/A)  
8 Grey(RAL7035/D)  
9 White(RAL1102)  
C Green(RAL6018/U)
- G: Pb<40000ppm  
0000: "@ " Logo (Standard)  
000A: "ANYTEK" Mark  
Any special item by customer request. please contact sales department.

Dimension

DIM A	N×5.0+0.50
DIM B	(N-1)×5.0
DIM C	(N-1)×5.0+10.00
DIM D	(N-1)×5.0+15.0
DIM E	(N-1)×5.0+4.20

N=Number of poles

Tolerance			
2p-6p	7p-12p	13p-18p	19p-24p
±0.15	±0.25	±0.35	±0.40

<b>ANYTEK</b>		<b>CUSTOMER COPY</b>			
				<small>ALL RIGHTS RESERVED. REPRODUCTION OR ISSUE TO THIRD PARTIES IN ANY FORM WHATSOEVER IS NOT PERMITTED WITHOUT WRITTEN AUTHORITY FROM THE PROPRIETOR. PROPERTY OF ANYTEK TECHNOLOGY CO., LTD</small>	
TITLE: KD 5.0mm with flange Series (2P-24P)		PART NO.: KDxx70x1xxxxG		DWG NO.: 8KD0103	
APPROVED	CHECKED	DESIGNED	DRAWN	CUST NO.	Tolerance
		Aaron 2011.06.21	Aaron 2011.06.21		X. ±0.50 X.X ±0.30 X.XX ±0.10 X° ±1°
SHEET: 01/01			UNIT: mm	SCALE: NONE	REV.: C