

## SUMMARY



Image is for illustrative purpose only

### # Wires

Coax	1
Series	00
Termination type	Male solder
IP rating	50
AWG wire size	0.00 - 0.00
Cable Ø	5.10 - 5.50 mm
Status	Active
Matching parts	<a href="#">ERA.00.250.CTL</a>

### Download

[Request a quote](#)

[Catalog](#)

## TECHNICAL DETAILS

### Mechanics

Shell Style/Model	FLA/D*: Elbow plug with oversize cable collet
Keying	Circular, male
Housing Material	Brass (chrome plated [SAE AMS 2460]) shell and collet nut, nickel plated [SAE AMS QQ N 290] brass latch sleeve and mid pieces
Weight	7.29 g

### Performance

Configuration	00.250 : 1 Coax (50 Ohm)
Insulator	T: PTFE
Rated Current	4 Amps

### Specifications

Contact Type:	Coaxial 50 Ohm (Solder)
Contact Dia.:	0.7 mm (0.028in)
Bucket Dia.:	0.6 mm (0.024in)
Test voltage:	2.1 kV (rms)
R (max):	6.1 mOhm
Vtest:	2100 V (AC), 3000 V (DC)
□	
Impedance:	50 Ohm

LEMO products and services are provided "as is". LEMO makes no warranties or representations with regard to LEMO product & services or use of them, express, implied or statutory, including for accuracy, completeness, or security. The user is fully responsible for his products and applications using LEMO components.

VSWR:  $1.09 + 0.11 * f/\text{GHz}$

## Others

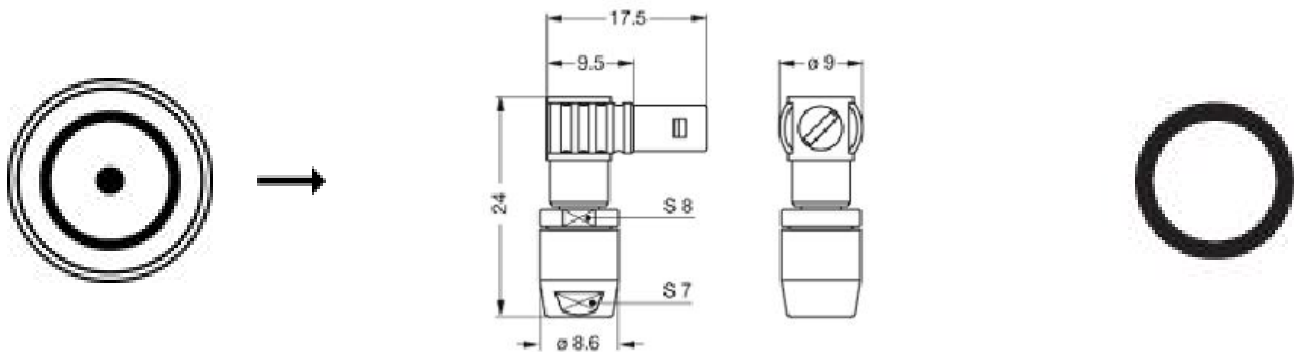
Endurance (Shell): 5000 mating cycles

F ret (min): 100 N

Salt Spray Corrosion: >1000 hr

---

## DRAWINGS



## Dimensions

	A	D	H	L	M	S2	S3
mm.	9	8.6	24	17.5	9.5	7	8
in.	0,35	0,34	0,94	0,69	0,37	0,28	0,31

---

## RECOMMENDED BY LEMO

### Tools

Spanner wrench: [DCD.00.ZZZ.PA050](#)

*LEMO products and services are provided "as is". LEMO makes no warranties or representations with regard to LEMO product & services or use of them, express, implied or statutory, including for accuracy, completeness, or security. The user is fully responsible for his products and applications using LEMO components.*