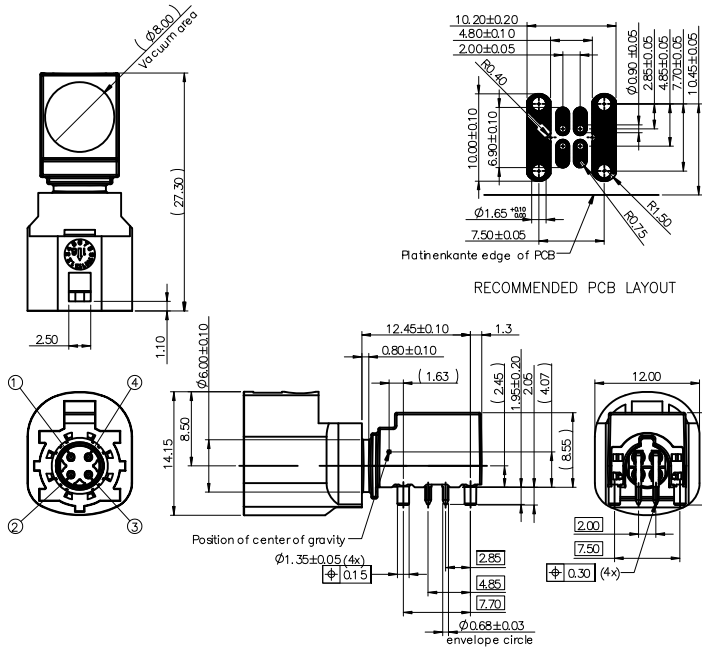
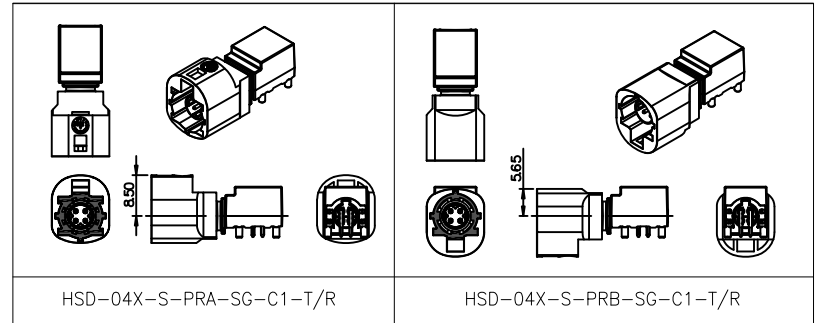


APPROVED: \_\_\_\_\_  
 DATE: \_\_\_\_\_ TITLE: \_\_\_\_\_

Rev	AWO #	Description	Date	Appr
-		RELEASED	4/18/19	
A		UPDATE DRAWING	2/18/20	LH/AC
B		UPDATE DRAWING	4/20/20	LH/AC



RECOMMENDED PCB LAYOUT



HSD-04X-S-PRA-SG-C1-T/R

Coding	A	B	C	D	E	F	Z
Plug							
Color	Black	White	Blue	Bordeaux	Green	Brown	Water Blue

Coding	G	H	J	K	L	M	O
Plug							
Color	Blue Grey	Heather Violet	Beige	Curry	Yellow Green	Pastel Orange	Light Green

HSD-04X-S-PRB-SG-C1-T/R

Coding	A Reverse	B Reverse	C Reverse	D Reverse
Plug				
Color	Black	White	Blue	Bordeaux

SPECIFICATIONS:

Material:  
 Insulator: PA  
 Contacts: Brass  
 Outer Contacts: Zinc Alloy  
 Contact Plating:  
 Contact area: 6u" Selective Gold Plated  
 Solder tails area: Tin Plated (Lead Free)  
 Underplate: Matte Tin over Nickel underplate overall  
 Electrical:  
 Impedance, differential mode: 100 Ω differential signalling, for one pair or quad cable shielded  
 Frequency: DC to 2.0 GHz  
 Return loss: ≥ 20 dB to 1.0 GHz  
 ≥ 17 dB to 2.0 GHz  
 Insertion loss: ≤ 0.1 dB @ 1.0 GHz  
 Insulation resistance: 1000 MΩ min  
 Signal contact resistance: 10 Ω max  
 Mechanical:  
 Mating Cycles: ≥ 25 Cycles  
 Engagement force: ≤ 30N  
 Disengagement force: ≥ 5N  
 Retention force latch: ≥ 110N  
 Coding efficiency: ≥ 80N  
 Temperature Rating:  
 -40°C to +105°C  
 Environmental:  
 Lead free, RoHS compliant



PACKAGED ON TAPE & REEL

UNLESS OTHERWISE SPECIFIED ALL DIMENSIONS ARE MILLIMETERS TOLERANCES: EXCEPT AS NOTED				909 Rahway Avenue, Union, NJ 07083 Phone: 908-687-5000 Fax: 908-687-5710	
ANG. ±5° 0. ±0.50 .0 ±0.30 .00 ±0.20				TITLE HSD FAKRA RIGHT ANGLE PLUG	
APPROVALS		DATE		REV.	
DRAWN	LH	4/18/19		SIZE	PART NO.
CHECKED	AC	4/18/19		X	HSD-04X-S-PRX-SG-C1-T/R
APPROVED				REF:	S00013T
				SCALE:	NTS
				SHEET 1 OF 1	