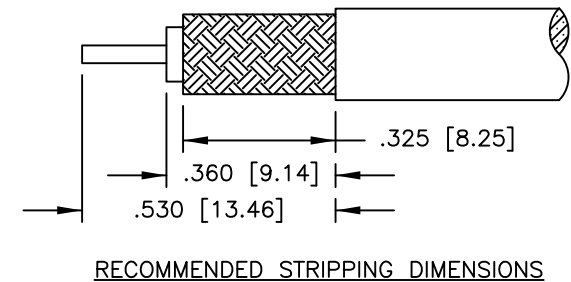
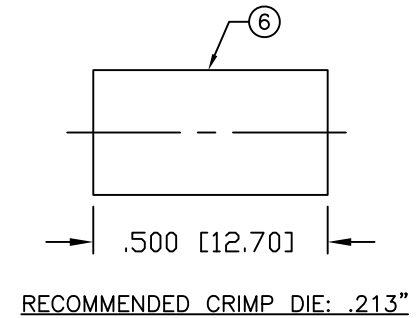
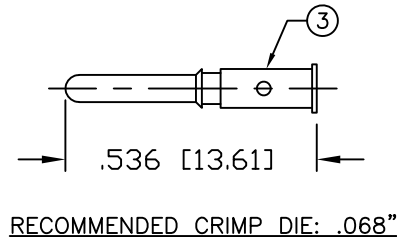
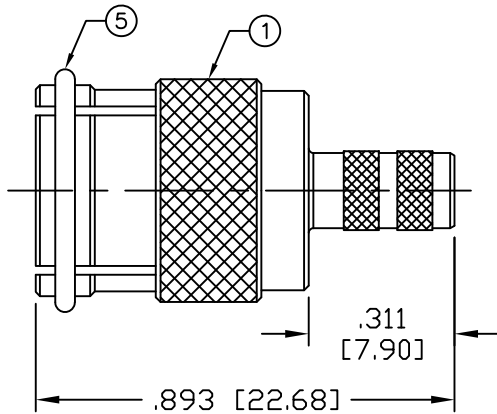


PART NO.		<b>RFU-600-5C1</b>		
REV	DESCRIPTION	DWN	DATE	APPROVED
-	ENGINEERING RELEASE	CZ	11/05/21	JDMc



**SPECIFICATIONS:**

IMPEDANCE: 50 OHMS  
 WORKING VOLTAGE: 335 VRMS @ SEA LEVEL  
 FREQUENCY RANGE: 0-2.5 GHz  
 INSERTION LOSS:  $\leq$  -.2 dB @ 2 GHz  
 VSWR MAX: 1.25:1 @ 2 GHz  
 FOR RG-55, 55A, 55B, 142, 142A, 142B, 223 & 400/U,  
 ALPHA 9055, 9055B, 9223, BELDEN 8219, 83242 & 84142

6	FERRULE	1	BRASS	NICKEL
5	RETAINING RING	1	SK-5	NICKEL
4	PRESS FIT WASHER	1	BRASS	NICKEL
3	PIN	1	BRASS	GOLD
2	INSULATOR	1	PTFE	NATURAL
1	BODY	1	BRASS	NICKEL
#	DESCRIPTION	QTY	MATERIAL	FINISH

CUSTOMER OUTLINE DRAWING	
ALL DIMENSIONS ARE REFERENCE ONLY	
UNLESS OTHERWISE SPECIFIED: DIMENSIONS ARE IN INCHES AND [MILLIMETERS]	
DRAWN C. ZUÑIGA	11/05/21
CHECKED	
ORJ DRAWN C. ZUÑIGA	11/05/21

**RoHS COMPLIANT**

PROPRIETARY AND CONFIDENTIAL

THIS DRAWING CONTAINS INFORMATION PROPRIETARY TO RF INDUSTRIES, ANY UNAUTHORIZED USE OF THIS DRAWING IS EXPRESSLY PROHIBITED WITHOUT WRITTEN PERMISSION FROM RF INDUSTRIES. ANY VIOLATION IS PUNISHABLE UNDER U.S. COPYRIGHT LAWS.

**RFconnectors**  
 DIVISION OF RF INDUSTRIES, LTD. (858) 549-6345 FAX

RFINDUSTRIES.COM  
 7610 MIRAMAR RD.  
 SAN DIEGO, CA 92126  
 (858) 549-6340

**MINI UHF MALE  
 QUICK DISCONNECT CRIMP**

DWG # **RFU-600-5C1**

CABLE GROUP C1	CONTROL # 000000	SCALE NTS	FORMAT A	SHEET 1 OF 1	REVISION -
-------------------	---------------------	--------------	-------------	-----------------	---------------